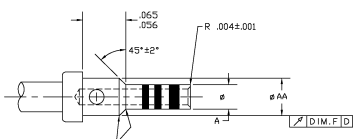
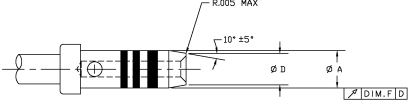


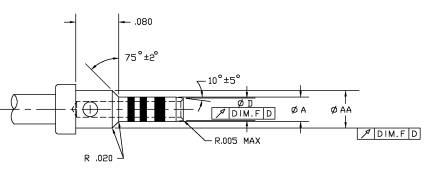
REV	DATE	DESCRIPTION	APPROVED
0	03/95 NF	RELEASE OF NEW PRODUCT	
A	03-95 DM	REV PER 0600-0013-99 JB	



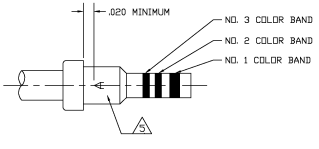
3-592404-1
SIZE 22



1-592404-1
SIZE 16

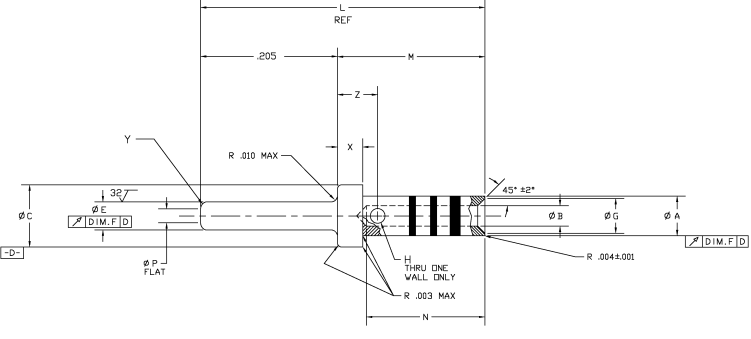


592404-1
SIZE 12



BAND IDENTIFICATION 3

- △ FINISH: GOLD PLATE PER MIL-G-45204, TYPE I, GRADE C .00050/.000100 THK OVER NICKEL PER QQ-N-290, MATTE FINISH .00050/.000150 THK.
- △ MATERIAL: BRASS PER ASTM B 16, 1/2 H
- △ CONTACTS SHALL BE COLOR CODED WITH THREE BANDS ON CRIMP BARREL AT APPROXIMATE LOCATION SHOWN.
- △ MATERIAL: LEADED COPPER PER ASTM-B-30L, CONDITION H.
- △ GOthic 'A', .016±.002 HIGH STAMPED .001/.002 DEEP.



2-592404-1
SIZE 20

MATERIAL	COLOR BAND NO. 3	COLOR BAND NO. 2	COLOR BAND NO. 1	DIM. P	DIM. J	DIM. K	DIM. F	DIM. D	DIM. AA	DIM. Z	DIM. Y	DIM. X	DIM. N	DIM. M	DIM. L	DIM. H	DIM. G	DIM. E	DIM. C	DIM. B	DIM. A	PART NO.
△	BLACK	BLACK	BRDWN	.017/.032	.124	.025	.005	—	.076/.078	.057/.063	.015/.025	.029/.033	.157/.186	.211/.215	.418	.018/.022	.042/.046	.061/.063	.100/.103	.035/.037	.048/.051	3-592404-1
△	BRDWN	BLACK	BRDWN	.017/.032	.124	.025	.005	—	.057/.063	.015/.025	.029/.033	.157/.186	.211/.215	.418	.026/.032	.060/.064	.061/.063	.100/.103	.048/.050	.076/.078		2-592404-1
△	RED	BLACK	BRDWN	.024/.039	.144	.050	.006	.086/.092	—	.073/.079	.025/.035	.044/.048	.250/.281	.294/.298	.501	.036/.042	.080/.090	.076/.078	.130/.133	.066/.068	.101/.105	1-592404-1
△	ORANGE	BLACK	BRDWN	.047/.062	.094	.050	.006	.130/.136	.155/.150	.073/.079	.035/.045	.044/.048	.250/.281	.294/.298	.501	.036/.042	.115/.125	.093/.095	.187/.190	.098/.102	.147/.153	592404-1

DO NOT SCALE PRINT. UNLESS OTHERWISE SPECIFIED DIMENSIONS ARE IN INCHES. TOLERANCES ON: FRACTIONS .015 DECIMALS .005 ANGLES .005	CONTRACT NO.	PART NO.
	DR N. FRITZ	
	CHK J. HARMAN	
	APPD J. HARMAN	
MATERIAL SEE TABLE	NAME	AMP INCORPORATED HARRISBURG, PA. 17105
	DESIGN APPD	
FINISH △	OTHER APPD	SIZE D PSCN NO 00779 DRAWING NO 592404 SCALE 10:1 SHEET 1 OF 1

THIS DRAWING IS A CONTROLLED DOCUMENT FOR THE PROPRIETARY USE OF AMP INCORPORATED. IT IS THE PROPERTY OF AMP INCORPORATED AND IS NOT TO BE REPRODUCED OR TRANSMITTED IN ANY FORM OR BY ANY MEANS, ELECTRONIC OR MECHANICAL, INCLUDING PHOTOCOPYING, RECORDING, OR BY ANY INFORMATION STORAGE AND RETRIEVAL SYSTEM, WITHOUT THE WRITTEN PERMISSION OF AMP INCORPORATED.