

MADE IN AMERICAN PROJECTION

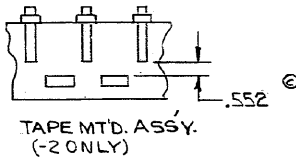
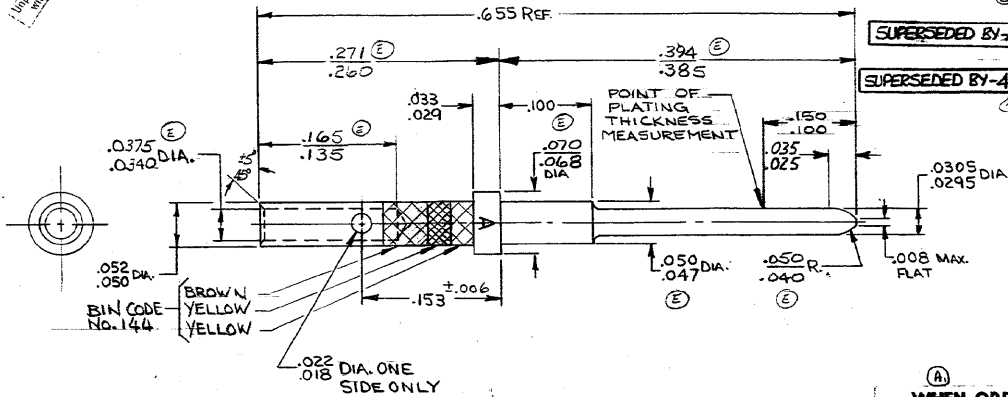
© 1970 BY AMP INCORPORATED. ALL RIGHTS RESERVED. AMP PRODUCTS COVERED BY PATENTS AND/OR PATENTS PENDING.

Unauthorized copying and/or use of this drawing for any purpose without the written permission of AMP Incorporated is prohibited.

204873-2 1. AS SHOWN
2. PLATED .000050 GOLD PER MIL-G-45204
OVER NICKEL PER QQ-N-290.
204873-3 1. SAME AS -4 EXCEPT:
MOUNTED ON MYLAR TAPE

REVISIONS				
ZONE	LTR	DESCRIPTION	DATE	APPROVED
S		SUPERSEDED -3, -5, -6 WITH -4 / R-2624	6-18-87	MPH E/jt
T		REACTIVATE -3 ECN DF-0716 et	8-88	Tom K.../...

204873-4 1. SAME AS -2 EXCEPT:
2. COLOR CODED AS INDICATED.
204873-5 1. SAME AS -2 EXCEPT:
2. GRAPHITE COATED.
204873-6 1. SAME AS -2 EXCEPT:
2. COLOR CODE TO BE SINGLE
BLACK BAND



(A) WHEN ORDERING CONTACT ON TAPE, ORDER BY THE TAPE NUMBER PLUS THE PACKAGING CODE AS FOLLOWS:
1. FOR USE WITH AMP TAPETRONIC, PNEUMATIC TOOL -
A. 1000 PARTS TO A BOX ADD PACKAGING CODE IMBOX
2. FOR USE WITH 488 INDENT STRIPPER CRUMPER -
A. 1000 PARTS TO A REEL ADD PACKAGING CODE IMREEL
B. 5000 PARTS TO A REEL ADD PACKAGING CODE SMREEL

UNLESS OTHERWISE SPECIFIED DIMENSIONS ARE IN INCHES. TOLERANCES ON: DECIMALS ± .005 ANGLES ± .7	CONTRACT NO.	AMP INCORPORATED HARRISBURG, PENNSYLVANIA	
	DR. <i>E. Manigault</i> 7-17-70	AMP	
MATERIAL	NAME	CONTACT, PIN #22	
LEADED COPPER	SIZE	CODE IDENT NO.	NUMBER
	B	00779	204873
	SCALE	10-1	SHEET 1 OF 1

AMP 1470-1 REV (7/69) 4

3

2

CUSTOMER DRAWING