

DO NOT SCALE

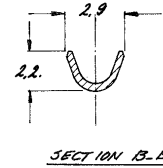
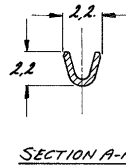
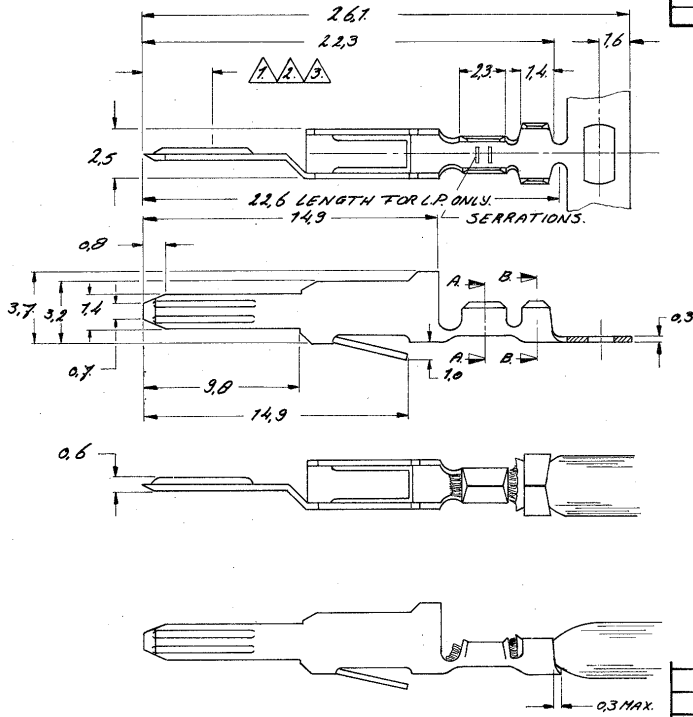
DIMENSIONS IN mm

METRIC

THIRD ANGLE
PROJECTION



REV.	DESCRIPTION	DATE	DWN	APVD
C1	ECR-10-000007	11FEB10	RK	SRE



NOTES:

- 1. 1.15 μm SELECTIVE GOLD OVER 1.15 μm NICKEL, REMAINDER 1.15 μm Ni.
- 2. 0.75 μm SELECTIVE GOLD OVER 1.15 μm NICKEL, REMAINDER 1.15 μm Ni.
- 3. 0.4 μm SELECTIVE GOLD OVER 1.15 μm NICKEL, REMAINDER 1.15 μm Ni.
- 4. OBSOLETE

166635-5	SEE NOTE 3	BRASS.	166478-7
166635-4	SEE NOTE 4	BRASS.	166478-6
166635-3	SEE NOTE 1	PH BRONZE	166478-5
166635-2	SEE NOTE 2	PH BRONZE	166478-4
166635-1	SEE NOTE 1	BRASS.	166478-2
LOOSE PIECE.	FINISH	MATERIAL	PART NUMBER

CUSTOMER DRAWING FOR REFERENCE ONLY WILL NOT BE UPDATED			AMP-HOLLAND B.V. 's-Hertogenbosch, The Netherlands	
	THIS DRAWING IS UNPUBLISHED		RELEASED FOR PUBLICATION	
© COPYRIGHT 19 BY AMP-HOLLAND B.V. ALL INTERNATIONAL RIGHTS RESERVED. AMP PRODUCTS MAY BE COVERED BY U.S. AND FOREIGN PATENTS AND/OR PATENTS PENDING.				
DR. <i>Th. Huisman</i> 18-3-83	WIRE RANGE QR-0.5 mm ²	NAME CRIMP-ON SNAP-IN	REV. DATE D M Y	
CHK. <i>[Signature]</i> 22-3-83	INSUL. RANGE 20-1.8 mm.	TAB RECEPTACLE	18 03 83	
APP. <i>[Signature]</i> 24.3.83	SIZE A3	SHEET 1 OF 1	DRAWING NO C-166478-E	REV. I.T.R. C1

8 7 6 5 4 3 2 1

RG-128