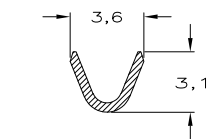
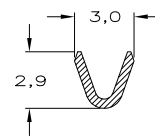
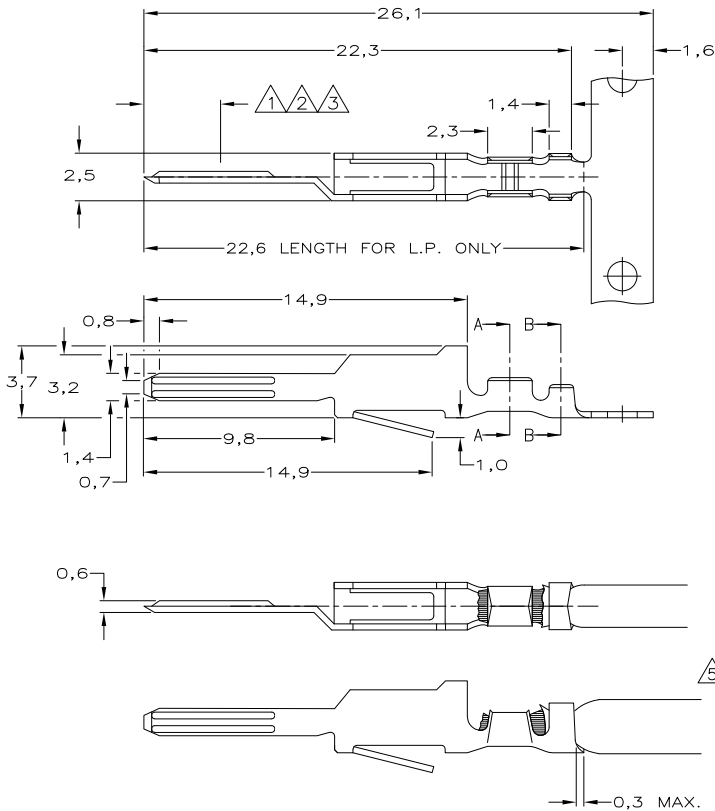


DO NOT SCALE
DIMENSIONS IN mm

METRIC

THIRD ANGLE
PROJECTION



SECTION A-A

SECTION B-B

OBS	-166636-5	SEE NOTE	△	BRASS	166479-7
OBS	-166636-4	SEE NOTE	△	BRASS	166479-6
OBS	-166636-3	SEE NOTE	△	PHOSPHORBRONZE	166479-5
OBS	-166636-2	SEE NOTE	△	PHOSPHORBRONZE	166479-4
OBS	-166636-1	SEE NOTE	△	BRASS	166479-2

LOOSE PIECE	FINISH	MATERIAL	PARTNUMBER
-	-	-	-
-	-	-	-
-	-	-	-
-	-	-	-

E1	ECO-09-024717	KK AEG	28DEC09	AMP HOLLAND B.V. 's-Hertogenbosch, The Netherlands.	
E	SR10-0506-02	F.B. F.B.	17-01-03		
C	EH-1280-95	J.G. R.v.L	26-10-95	CRIMP-ON / SNAP-IN TAB RECEPTACLE STRIP	
LTR.	REVISION RECORD	DR.	CHK.	DATE	
DR.:	J.Gibbels	CHK.:	R.v.Lokven	APP.:	-
DATE:	26-10-95	DATE:	-	DATE:	-
DWG.No.		C-166479		REV.LTR.	E1
SHEET		1 OF 1		A3	

NOTES:

- △ 1,25 μm SELECTIVE Au OVER 1,25 μm NI. REMAINDER 1,25 μm NI.
- △ 0,75 μm SELECTIVE Au OVER 1,25 μm NI. REMAINDER 1,25 μm NI.
- △ 0,4 μm SELECTIVE Au OVER 1,25 μm NI. REMAINDER 1,25 μm NI.
- △ WIRE RANGE 0,5-1,5 mm², INSULATION RANGE 2,0-2,5 mm.
- △ OBSOLETE PARTS: OBSOLETE CIS STREAMLINING PER D.RENAUD/D.SINISI