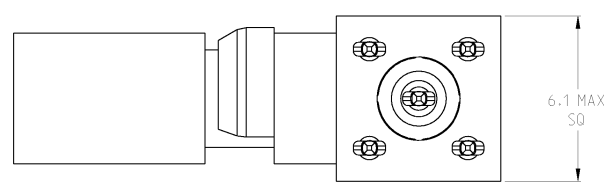
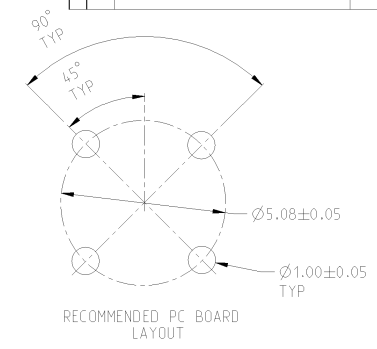
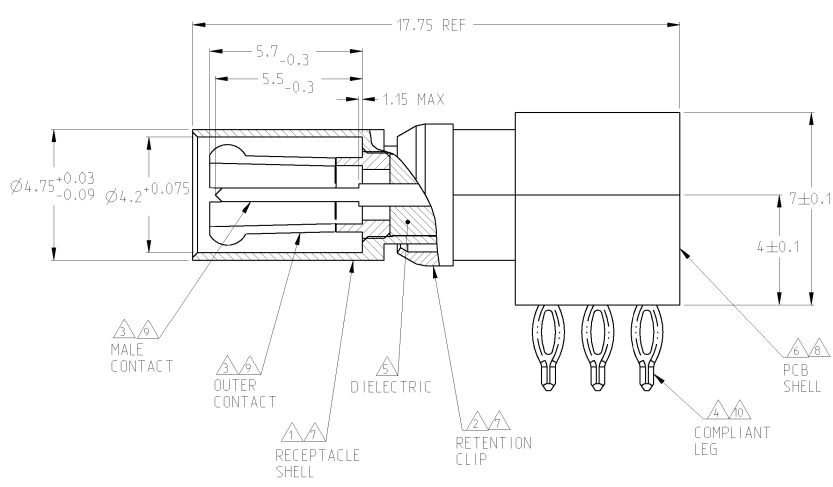


THIS DRAWING IS UNPUBLISHED. RELEASED FOR PUBLICATION BY TYCO ELECTRONICS CORPORATION. ALL RIGHTS RESERVED.

REV	DATE	BY	CHKD	DESCRIPTION
D	19JUN2004	KW	KW	REV PER 0516-0220-04
E	16MAY2006	KS	KW	REVISED PER ECO-06-007956



- △ BRASS PER ASTM-B-16
- △ BERYLLIUM COPPER PER ASTM-B-194
- △ BERYLLIUM COPPER PER ASTM-B-196
- △ PHOS BRONZE PER ASTM-B-103
- △ POLYMETHYLPENTENE, GENERAL PURPOSE
- △ ZINC PER QQ-Z-363
- △ NICKEL PLATE PER QQ-N-290
- △ NICKEL PLATE PER MIL-C-26074
- △ GOLD PLATE PER ASTM-B488
- △ TIN-LEAD PLATE PER ASTM-B-545

148386-1
Part number

DIMENSIONS:		DRAWN: 29MAY1998		BY: tyco Electronics	
min		CHKD: 29MAY1998		Harrisburg, PA 17105-3608	
PLC		MFG: 29MAY1998		PCB PIN	
PLC		FINISH: 29MAY1998		RTANG	
PLC		APPROX: 29MAY1998		COMPLIANT	
PLC		APPLICATION SPEC:		SIZE: CASE CODE: DRAWING NO:	
PLC		WEIGHT:		A 2100779 148386	
PLC		MATERIAL:		RESTRICTED TO:	
FINISH:		CUSTOMER DRAWING		SCALE: 10:1 SHEET 1 OF 1 REV E	



AMP 1471-9 REV 31MAR2000