

4

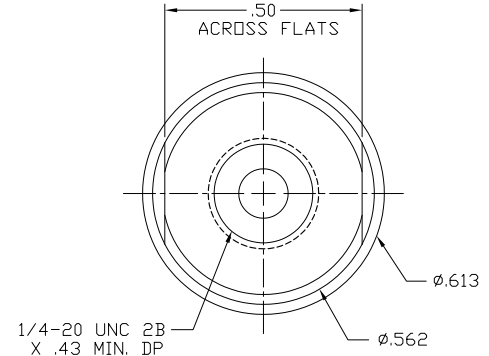
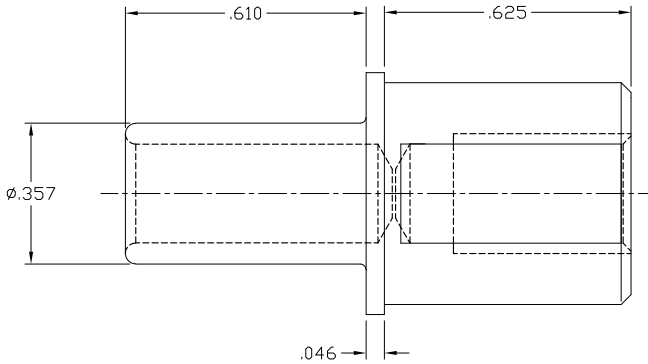
3

2

1

THIS DRAWING IS UNPUBLISHED. RELEASED FOR PUBLICATION
 © COPYRIGHT - BY TYCO ELECTRONICS CORPORATION. ALL RIGHTS RESERVED.

LOC		DIST		REVISIONS			
P	LTR	DESCRIPTION		DATE	DWN	APVD	
GP	00	B		REV PER ECO-08-000391	8JAN2008	RG	DO



1. PART NUMBER CHANGES AND OR DESIGN CHANGES AFFECTING ITEM INTERCHANGEABILITY REQUIRE PRIOR TYCO ELECTRONICS APPROVAL AND AUTHORIZATION BY REVISION TO THIS DRAWING.

2. MATERIAL:
PIN CONTACT: COPPER ALLOY.

3. FINISHES:
PIN CONTACT: SILVER PLATE, .000200 MIN THICK
OVER NICKEL, .000050 MIN THICK

AS SHOWN	1766269-1
DESCRIPTION	PART NUMBER

THIS DRAWING IS A CONTROLLED DOCUMENT.		DWN	08JAN2008	Tyco Electronics		Tyco Electronics Corporation Harrisburg, PA 17105-3608																													
DIMENSIONS: INCHES		CHK	RFA/GRZYBOWSKI	NAME		CONTACT, PIN, SIZE No. 0 1/4-20 INT.THD., DOUBLE CROWN DRAWERS																													
<table border="1"> <tr> <th colspan="2">DIMENSIONS:</th> <th colspan="2">TOLERANCES UNLESS OTHERWISE SPECIFIED:</th> </tr> <tr> <td>0</td> <td>PLC</td> <td>±</td> <td>-</td> </tr> <tr> <td>1</td> <td>PLC</td> <td>±</td> <td>-</td> </tr> <tr> <td>2</td> <td>PLC</td> <td>±</td> <td>.02</td> </tr> <tr> <td>3</td> <td>PLC</td> <td>±</td> <td>.010</td> </tr> <tr> <td>4</td> <td>PLC</td> <td>±</td> <td>-</td> </tr> <tr> <td colspan="2">ANGLES</td> <td>±</td> <td>.5</td> </tr> </table>		DIMENSIONS:		TOLERANCES UNLESS OTHERWISE SPECIFIED:		0	PLC	±	-	1	PLC	±	-	2	PLC	±	.02	3	PLC	±	.010	4	PLC	±	-	ANGLES		±	.5	APVD	8JAN2008	PRODUCT SPEC	SIZE	CAGE CODE	DRAWING NO
DIMENSIONS:		TOLERANCES UNLESS OTHERWISE SPECIFIED:																																	
0	PLC	±	-																																
1	PLC	±	-																																
2	PLC	±	.02																																
3	PLC	±	.010																																
4	PLC	±	-																																
ANGLES		±	.5																																
MATERIAL		FINISH		APPLICATION SPEC	A3	00779	C-1766269																												
-		-		WEIGHT	-		RESTRICTED TO																												
-		-		CUSTOMER DRAWING	SCALE	4:1	SHEET 1 OF 1 REV B																												