

4

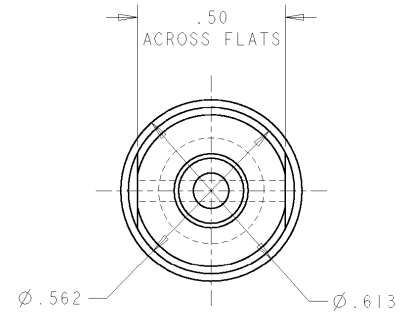
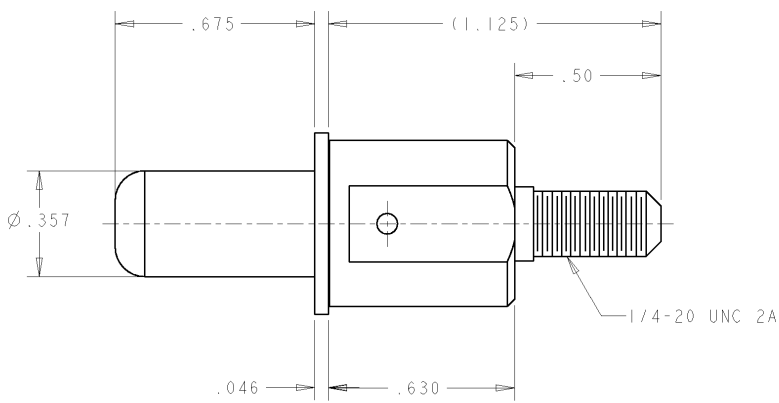
3

2

1

THIS DRAWING IS UNPUBLISHED. RELEASED FOR PUBLICATION 20
 © COPYRIGHT 20 BY TYCO ELECTRONICS CORPORATION. ALL RIGHTS RESERVED.

| LOC | DIST | REVISIONS | | | | |
|-----|------|-----------------------|-----------|-----|------|--|
| P | LTR | DESCRIPTION | DATE | DWN | APVD | |
| GP | 00 | | | | | |
| | B | REV PER ECO-07-025570 | 01NOV2007 | RG | DO | |
| | | | | | | |
| | | | | | | |



1. PART NUMBER CHANGES AND OR DESIGN CHANGES AFFECTING ITEM INTERCHANGEABILITY REQUIRE PRIOR TYCO ELECTRONICS APPROVAL AND AUTHORIZATION BY REVISION TO THIS PRODUCT.

2 MATERIAL: COPPER ALLOY

3 FINISH: SILVER PLATE .000200 MIN THK. OVER NICKEL .000050 MIN THK.

| | |
|-------------|-----------|
| AS SHOWN | 1766268-1 |
| DESCRIPTION | PART NO. |

| | | | |
|----------------------------------------------------------------------------------------------------------------------------------------------------------------------------------------------------------|---------------------------------------------------------------------------------------------------------------|------------------------------------------------------------------------------------------------|-----------------------------------------------|
| <small>THIS DRAWING IS A CONTROLLED DOCUMENT FOR TYCO ELECTRONICS CORPORATION. IT IS SUBJECT TO CHANGE AND THE CONTROLLING ENGINEERING ORGANIZATION SHOULD BE CONTACTED FOR THE LATEST REVISION.</small> | | DWN 01NOV2007 R. GRZYBOWSKI CHK 01NOV2007 D. ORRIS APVD 01NOV2007 S. FLICKINGER | Tyco Electronics Harrisburg, PA 17105-3608 |
| DIMENSIONS: INCHES | TOLERANCES UNLESS OTHERWISE SPECIFIED: 0 PLC ± 1 PLC ±.02 2 PLC ±.010 3 PLC ± 4 PLC ANGLES ±.5 | NAME CONTACT, PIN, SIZE No.0 1/4-20 EXT. THD. SINGLE CROWN DRAWERS | RESTRICTED TO |
| MATERIAL 2 | FINISH 3 | SIZE A3 CAGE CODE 00779 DRAWING NO. C-1766268 | WEIGHT - CUSTOMER DRAWING |
| | | SCALE 3:1 | SHEET 1 OF 1 REV B |

AMP 1470-19 REV 31MAR2000

Professional Engineer Drawing