

4

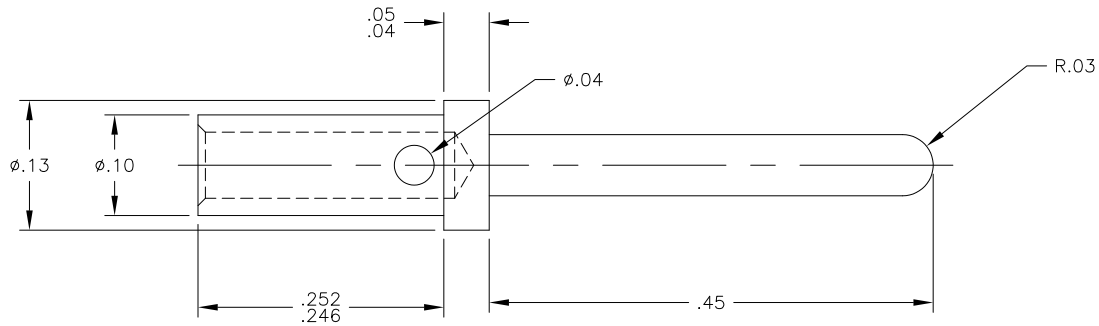
3

2

1

THIS DRAWING IS UNPUBLISHED. RELEASED FOR PUBLICATION
 © COPYRIGHT - BY TYCO ELECTRONICS CORPORATION. ALL INTERNATIONAL RIGHTS RESERVED.

LOC	DIST	REVISIONS				
P	LTR	DESCRIPTION	DATE	DWN	APVD	
GP	00	B	REV PER ECO-08-014780	24JUN08	RG DO	



5. FOR TERMINATION, USE FOLLOWING EQUIPMENT:
 SHOWN FOR REFERENCE ONLY (USER SUPPLIED)
 CRIMP TOOL: M22520/1-01
 TURRET HEAD/LOCATOR: M22520/1-02
4. FINISH: SILVER PLATED, .000200 MIN THICK
 OVER NICKEL PLATED, .000050 MIN THICK
3. MATERIAL: COPPER ALLOY.
2. ITEMS PROVIDED TO THIS SPECIFICATION SHALL BE IDENTIFIED
 ON THE CONTAINER WITH THE FOLLOWING INFORMATION:
 PART NUMBER & DATE CODE OF MANUFACTURE.
1. PART NUMBER CHANGES AND OR DESIGN CHANGES AFFECTING ITEM
 INTERCHANGEABILITY REQUIRE PRIOR TYCO ELECTRONICS APPROVAL
 AND AUTHORIZATION BY REVISION TO THIS DRAWING.

AS SHOWN	1766194-1
DESCRIPTION	PART NUMBER

THIS DRAWING IS A CONTROLLED DOCUMENT.		DWN	12/02/05	 Tyco Electronics Corporation Harrisburg, PA 17105-3608
		CHK	-	
DIMENSIONS:		D. ORRIS		NAME CHAU/GRZYBOWSKI
INCHES		APVD		
TOLERANCES UNLESS OTHERWISE SPECIFIED:		12/02/05		CONTACT, PIN, SIZE No.16 CRIMP, REMOVABLE DRAWERS/DOMINO
		CHAU/GRZYBOWSKI		
0 PLC ± -		PRODUCT SPEC		SIZE A3
1 PLC ± -		APPLICATION SPEC		
2 PLC ± .02		WEIGHT		CAGE CODE 00779
3 PLC ± .010		DRAWING NO		
4 PLC ± -		RESTRICTED TO		DRAWING NO 1766194
ANGLES ± .5		CUSTOMER DRAWING		
MATERIAL	FINISH	SCALE		SHEET 1 of 1 REV B