

4

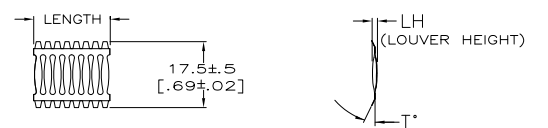
3

2

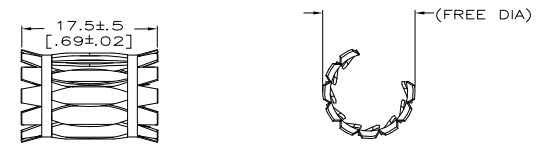
1

THIS DRAWING IS UNPUBLISHED. RELIEVED FOR PUBLICATION. ALL RIGHTS RESERVED.

REV	DATE	BY	APPD	DESCRIPTION
G2	11MAR11	RK	HMR	REVISED PER ECO-11-004917



STYLE C (STRIP)



STYLE A (FEMALE)

1. FINISH—GOLD PLATE 2.03–2.54 μm [80–100 μ"] THICK.
2. FINISH—NICKEL PLATE 1.02–2.03 μm [40–80 μ"] THICK.
3. FINISH—NICKEL PLATE 1.27–1.91 μm [50–75 μ"] THICK.
4. FINISH—TIN PLATE 7.62–15.24 μm [300–600 μ"] THICK.
5. FINISH—SILVER PLATE 18.78 μm [700–1000 μ"] THICK.
6. FINISH—GOLD PLATE 0.25–0.51 μm [10–20 μ"] THICK.
7. FINISH—SILVER PLATE 5.08–10.16 μm [200–400 μ"] THICK.
- 8.
- 9.
- 10.

11. PLATING NOTES ARE TO BE INTERPRETED AS FOLLOWS:
5–7 AS 5 OVER 7.
12. MATERIAL—CDA172 BeCu.
13. MATERIAL—STAINLESS STEEL.

△ OBSOLETE PARTS: OBSOLETE CIS STREAMLINING PER D.RENAUD/D.SINISI

(FREE DIA)	LH	STYLE	T*	MATING PIN	φ REF	NUM LOUV	PLATING	MAT'L NOTE	MAT'L THK	REF	PART NUMBER	
[.45]	[.050]	A	15	9.01	[.355]	117-2	12	0.15	[.006]	01210	5-192013-0	OBSOLETE
[.52]	[.046]	A	15	8.97	[.353]	13 UNPL	12	0.08	[.003]	01126	4-192013-9	△
[.42]	[.050]	A	15	7.92	[.312]	10 UNPL	13	0.15	[.006]	01116	4-192013-8	△
[.42]	[.052]	A	15	7.92	[.312]	107-2	12	0.20	[.008]	01118	4-192013-7	△
[.42]	[.050]	A	15	7.92	[.312]	106-2	12	0.15	[.006]	01217	4-192013-6	△
[.42]	[.050]	A	15	7.92	[.312]	107-2	12	0.15	[.006]	01117	4-192013-5	△
[.42]	[.056]	A	15	7.92	[.312]	10 UNPL	12	0.15	[.006]	01266	4-192013-4	△
[.42]	[.050]	A	15	7.92	[.312]	107-2	12	0.10	[.004]	01281	4-192013-3	△
[.48]	[.052]	A	15	8.77	---	87-2	12	0.15	[.006]	01030	4-192013-2	OBSOLETE
[.48]	[.052]	A	45	31.8	[1.250]	397-2	12	0.20	[.008]	01219	4-192013-1	OBSOLETE
[.48]	[.052]	A	45	31.8	[1.250]	39 UNPL	12	0.20	[.008]	01218	4-192013-0	△
[.48]	[.050]	A	45	31.8	[1.250]	397-2	12	0.15	[.006]	01209	3-192013-9	△
[.45]	[.050]	A	45	30.1	[1.187]	387-2	12	0.15	[.006]	01193	3-192013-8	△
[.42]	[.050]	A	45	26.2	[1.032]	337-2	12	0.15	[.006]	01214	3-192013-7	OBSOLETE
[.45]	[.050]	A	45	25.0	[.984]	317-2	12	0.15	[.006]	01319	3-192013-6	△
[.42]	[.050]	A	45	21.6	[.850]	277-2	12	0.15	[.006]	01208	3-192013-5	△
[.45]	[.050]	A	45	21.4	[.842]	287-2	12	0.15	[.006]	01165	3-192013-4	OBSOLETE
[.42]	[.052]	A	45	19.1	[.750]	247-2	12	0.20	[.008]	01300	3-192013-3	△
[.45]	[.050]	C	45	55.5	---	555-2	12	0.15	[.006]	01041	3-192013-2	△
[.45]	[.050]	C	45	55	---	55 UNPL	12	0.15	[.006]	01044	3-192013-1	OBSOLETE
[.45]	[.050]	C	15	48.7	---	487-2	12	0.15	[.006]	01043	2-192013-9	OBSOLETE
[.45]	[.050]	C	15	41.7	---	417-2	12	0.15	[.006]	01027	2-192013-8	△
[.45]	[.050]	C	15	41.7	---	417-2	12	0.10	[.004]	01028	2-192013-7	OBSOLETE
[.45]	[.050]	C	15	40.7	---	407-2	12	0.15	[.006]	01243	2-192013-6	△
[.45]	[.050]	C	15	40.7	---	407-2	12	0.10	[.004]	01047	2-192013-5	△
[.45]	[.050]	C	45	36.7	---	367-2	12	0.15	[.006]	01033	2-192013-4	△
[.45]	[.050]	C	15	36.7	---	367-2	12	0.15	[.006]	01032	2-192013-3	△
[.45]	[.050]	C	15	36.7	---	367-2	12	0.10	[.004]	01299	2-192013-2	OBSOLETE
[.45]	[.050]	C	15	33.7	---	337-2	12	0.15	[.006]	01026	1-192013-9	OBSOLETE
[.45]	[.050]	C	15	33.7	---	337-2	12	0.10	[.004]	01025	1-192013-8	△
[.45]	[.050]	C	15	20.7	---	207-2	12	0.15	[.006]	01035	1-192013-6	OBSOLETE
[.45]	[.050]	C	15	19.4	---	194	12	0.15	[.006]	01051	1-192013-5	OBSOLETE
[.45]	[.050]	C	15	19.7	---	197-2	12	0.15	[.006]	01031	1-192013-4	OBSOLETE
[.45]	[.050]	C	15	17.7	---	177-2	12	0.15	[.006]	01059	1-192013-3	OBSOLETE
[.45]	[.050]	C	15	14.7	---	147-2	12	0.15	[.006]	01053	1-192013-2	△
[.45]	[.050]	C	15	13.4	---	134	12	0.15	[.006]	01065	1-192013-1	△
[.45]	[.050]	C	15	13.7	---	137-2	12	0.15	[.006]	01077	1-192013-0	△
[.45]	[.050]	C	15	12.7	---	127-2	12	0.15	[.006]	01066	1-192013-9	△
[.45]	[.050]	C	15	12.1	---	121-3	12	0.10	[.004]	01069	1-192013-8	OBSOLETE
[.45]	[.050]	C	15	11.7	---	117-2	12	0.15	[.006]	01057	1-192013-6	△
[.45]	[.050]	C	15	10.4	---	104	12	0.15	[.006]	01056	1-192013-5	△
[.45]	[.050]	C	15	10.7	---	107-2	12	0.15	[.006]	01046	1-192013-4	△
[.45]	[.050]	C	15	10.1	---	101-2	12	0.10	[.004]	01046	1-192013-3	△
[.45]	[.050]	C	15	9.7	---	97-2	12	0.15	[.006]	01081	1-192013-2	△
[.45]	[.050]	C	15	5.7	---	57-2	12	0.15	[.006]	01045	1-192013-1	△

THIS DRAWING IS A CONTROLLED DOCUMENT.

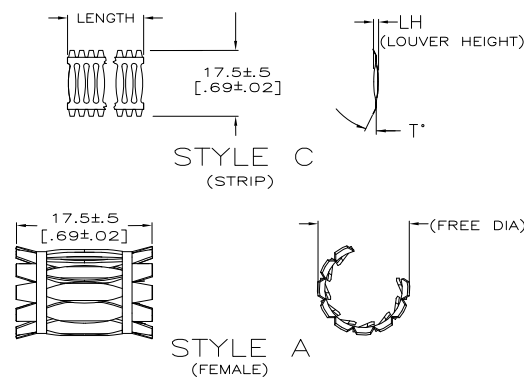
DIMENSIONS: MM(INCHES) TO DECIMALS UNLESS OTHERWISE SPECIFIED: 0 P L C ± - 1 P L C ± 0.5 (.02) 2 P L C ± 0.25 (.010) 3 P L C ± - - 4 P L C ± - - FINISH: SEE TABLE	RA JAYNE 07-01-91 G. STEINHAUER 07-01-91 G. STEINHAUER 07-01-91		CONTACT BAND, FEMALE PRODUCT SPEC: --- APPLICATION SPEC: --- WEIGHT: --- CUSTOMER DRAWING	SIZE: A2 CASE CODE: 00779 DRAWING NO: 192013 RESTRICTED TO: --- SCALE: NTS SHEET: 1 of 2 REV: G2
--	---	--	---	--

1471-9 (5/11)

192013

(FREE DIA)	LH	STYLE	T'	MATING PIN ϕ REF	NUM LOUV	PLATING	MAT'L NOTE	MAT'L THK	REF	PART NUMBER
[.90] [.050]	A	15	19.1 [.750]	23 UNPL	12	0.20 [.008]			01249	9-192013-9
[.92] [.050]	A	15	19.1 [.750]	24 UNPL	13	0.15 [.006]			01203	9-192013-8
[.92] [.050]	A	15	19.1 [.750]	24 6-2	12	0.15 [.006]			01234	9-192013-7
[.92] [.050]	A	15	19.1 [.750]	247-2	12	0.15 [.006]			01154	9-192013-6
[.92] [.050]	A	15	19.1 [.750]	24 UNPL	12	0.15 [.006]			01152	9-192013-5
[.89] [.050]	A	15	19.1 [.750]	237-2	12	0.15 [.006]			01255	9-192013-3
[1.75] [.050]	A	15	19.1 [.750]	237-2	12	0.10 [.004]			01279	9-192013-2
[.92] [.046]	A	15	19.1 [.750]	24 7-2	12	0.08 [.003]			01151	9-192013-1
[.92] [.046]	A	15	19.1 [.750]	24 UNPL	12	0.08 [.003]			01297	9-192013-0
[.85] [.050]	A	15	17.4 [.685]	227-2	12	0.15 [.006]			01223	8-192013-9
[.80] [.052]	A	15	15.88 [.625]	207-2	12	0.20 [.008]			01245	8-192013-8
[.80] [.052]	A	15	15.88 [.625]	20 UNPL	12	0.20 [.008]			01280	8-192013-7
[.76] [.052]	A	15	15.88 [.625]	197-2	12	0.20 [.008]			01259	8-192013-6
[.76] [.052]	A	15	15.88 [.625]	19 UNPL	12	0.20 [.008]			01258	8-192013-5
[.83] [.050]	A	15	15.88 [.625]	217-2	12	0.15 [.006]			01207	8-192013-4
[.80] [.050]	A	15	15.88 [.625]	20 6-2	12	0.15 [.006]			01317	8-192013-3
[.80] [.050]	A	15	15.88 [.625]	207-2	12	0.15 [.006]			01148	8-192013-2
[.76] [.050]	A	15	15.88 [.625]	197-2	12	0.15 [.006]			01311	8-192013-1
[1.50] [.050]	A	15	15.88 [.625]	207-2	12	0.10 [.004]			01273	8-192013-0
[.80] [.050]	A	15	15.57 [.613]	207-2	12	0.15 [.006]			01202	7-192013-9
[.73] [.052]	A	15	14.27 [.562]	187-2	12	0.20 [.008]			01143	7-192013-8
[.45] [.050]	A	15	9.01 [.355]	11 UNPL	12	0.15 [.006]				7-192013-7
[.73] [.050]	A	15	14.0 [.551]	187-2	12	0.15 [.006]			01264	7-192013-6
[.70] [.050]	A	15	14.0 [.551]	177-2	12	0.15 [.006]			01141	7-192013-5
[.69] [.052]	A	15	12.7 [.500]	167-2	12	0.20 [.008]			01137	7-192013-4
[.69] [.052]	A	15	12.7 [.500]	16 UNPL	12	0.20 [.008]			01247	7-192013-3
[.69] [.050]	A	15	12.7 [.500]	16 UNPL	13	0.15 [.006]			01244	7-192013-2
[.69] [.050]	A	15	12.7 [.500]	167-2	12	0.15 [.006]			01206	7-192013-1
[.69] [.046]	A	15	12.7 [.500]	16 7-2	12	0.08 [.003]			01275	7-192013-0
[.64] [.052]	A	15	11.99 [.472]	157-2	12	0.20 [.008]			01304	6-192013-9
[.55] [.050]	A	15	11.99 [.472]	14 UNPL	13	0.15 [.006]			01073	6-192013-8
[.64] [.050]	A	15	11.99 [.472]	157-2	12	0.15 [.006]			01135	6-192013-7
[.64] [.050]	A	15	11.99 [.472]	15 UNPL	12	0.15 [.006]			01134	6-192013-6
[1.25] [.050]	A	15	11.99 [.472]	157-2	12	0.10 [.004]			01286	6-192013-5
[.80] [.050]	A	15	15.88 [.625]	20 UNPL		0.15 [.006]				6-192013-4
[.67] [.046]	A	15	12.7 [.500]	16 UNPL		0.08 [.003]				6-192013-3
[.53] [.050]	A	15	10.0 [.394]	13 UNPL		0.15 [.006]				6-192013-2
[.55] [.052]	A	15	11.1 [.437]	147-2	12	0.20 [.008]			01131	6-192013-1
[.55] [.050]	A	15	11.1 [.437]	14 UNPL	13	0.15 [.006]			01246	6-192013-0
[.55] [.050]	A	15	11.1 [.437]	147-2	12	0.15 [.006]			01211	5-192013-9
[.55] [.050]	A	15	11.02 [.434]	14 6-2	12	0.15 [.006]			01128	5-192013-8
[.55] [.050]	A	15	11.02 [.434]	14 UNPL	12	0.15 [.006]			01216	5-192013-7
[.52] [.050]	A	15	10.0 [.394]	13 6-2	12	0.15 [.006]			01272	5-192013-6
[.52] [.050]	A	15	10.0 [.394]	137-2	12	0.15 [.006]			01205	5-192013-5
[.50] [.050]	A	15	9.53 [.375]	127-2	12	0.15 [.006]			01124	5-192013-4
[.48] [.050]	A	15	9.53 [.375]	127-2	12	0.10 [.004]			01268	5-192013-3
[.48] [.052]	A	15	9.07 [.357]	127-2	12	0.20 [.008]			01122	5-192013-2
[.45] [.050]	A	15	9.01 [.355]	11 6-2	12	0.15 [.006]			01121	5-192013-1

REV	DATE	BY	CHKD	DESCRIPTION
0				FT
REVISIONS				
1				SEE SHEET 1



1471-3 (5/11)

THIS DRAWING IS A CONTROLLED DOCUMENT.		DW RA JAYNE 07-01-91		TE Connectivity											
DIMENSIONS: MM(INCHES)		DW G.STEINHAUER 07-01-91		DW G.STEINHAUER 07-01-91											
TOLERANCES UNLESS OTHERWISE SPECIFIED:		DW G.STEINHAUER		NAME											
<table border="1"> <tr><td>Ø PUC</td><td>± .02</td></tr> <tr><td>PUC</td><td>± .02</td></tr> <tr><td>H PUC</td><td>± 0.5% (AG)</td></tr> <tr><td>H PUC</td><td>± 0.25% (AG)</td></tr> <tr><td>M PUC</td><td>± .01</td></tr> </table>		Ø PUC	± .02	PUC	± .02	H PUC	± 0.5% (AG)	H PUC	± 0.25% (AG)	M PUC	± .01	PRODUCT SPEC		APPLICATION SPEC	
Ø PUC	± .02														
PUC	± .02														
H PUC	± 0.5% (AG)														
H PUC	± 0.25% (AG)														
M PUC	± .01														
MATERIAL		WEIGHT		RESTRICTED TO											
SEE TABLE		SEE TABLE		SIZE CAGE CODE DRAWING NO A2 00779 192013											
CUSTOMER DRAWING		SCALE		SHEET 2 of 2 REC G2											

192013