

4

3

2

1

THIS DRAWING IS UNPUBLISHED. RELEASED FOR PUBLICATION
 © COPYRIGHT - BY TYCO ELECTRONICS CORPORATION. ALL RIGHTS RESERVED.

LOC	DIST	REVISIONS			
P	LTR	DESCRIPTION	DATE	DWN	APVD
GP	00	A	RELEASED	02MAR06	RG PM

6. FOR TERMINATION REFER TO 1926079-1

ROTATION ARC.

4. FINISH:

SOCKET HOUSING - SILVER PLATED .000200 MIN THK.
 OVER ELECTROLESS NICKEL PLATE
 .000040 MIN THK.

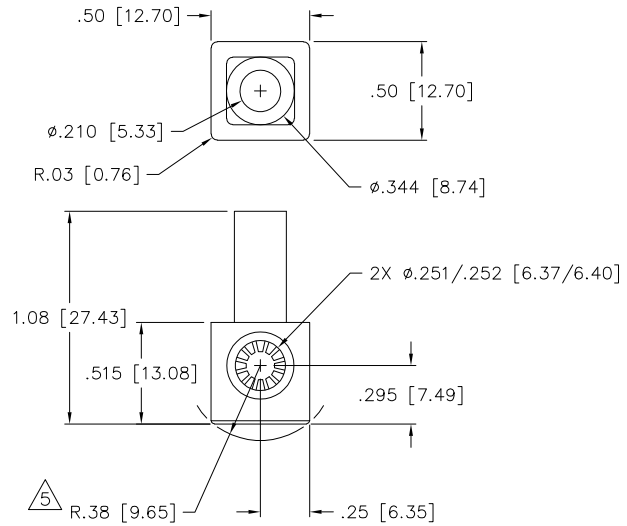
CROWN - GOLD PLATED .000030 MIN THK OVER
 ELECTROLESS NICKEL PLATE .000040 MIN. THK

3. MATERIAL:

CROWN CONTACT - BERYLLIUM COPPER
 SOCKET HOUSING - TELLURIUM COPPER ALLOY
 INSULATOR - THERMOPLASTIC, 94V-0, COLOR PER TABLE

2. ITEMS PROVIDED TO THIS SPECIFICATION SHALL BE IDENTIFIED
 ON THE CONTAINER WITH THE FOLLOWING INFORMATION:
 PART NUMBER AND DATE CODE OF MANUFACTURE.

1. PART NUMBER CHANGES AND/OR DESIGN CHANGES AFFECTING
 ITEM INTERCHANGEABILITY REQUIRE PRIOR TYCO APPROVAL
 AND AUTHORIZATION BY REVISION TO THIS DRAWING.



RED	6648235-2
BLACK	6648235-1
COLOR	PART NUMBER

THIS DRAWING IS A CONTROLLED DOCUMENT.		DWN	R.GRZYBOWSKI	02MAR2006		Tyco Electronics Corporation Harrisburg, PA 17105-3608		
DIMENSIONS:		CHK	M.PERCHERKE	02MAR06		NAME CROWN SOCKET, RIGHT ANGLE #4 SOCKET BODY W/ #8 CRIMP BARREL RAPID LOCK	RESTRICTED TO	
INCHES		APVD	M.PERCHERKE	02MAR06			SIZE	CAGE CODE
0 PLC ± - 1 PLC ± - 2 PLC ± .02 3 PLC ± .010 4 PLC ± - ± .5 ANGLES ± .5		TOLERANCES UNLESS OTHERWISE SPECIFIED:		PRODUCT SPEC		A3 00779 C-6648235		
MATERIAL		FINISH		APPLICATION SPEC		WEIGHT		
-		-		-		-		
CUSTOMER DRAWING				SCALE		1:1		
				SHEET		1 OF 1		
				REV		A		

RAPID LOCK ELCON

AMP 1470-19 REV 31MAR2000

03MAR06 8:55am us021428

H:\autocad\6648235_1A.DWG