

4

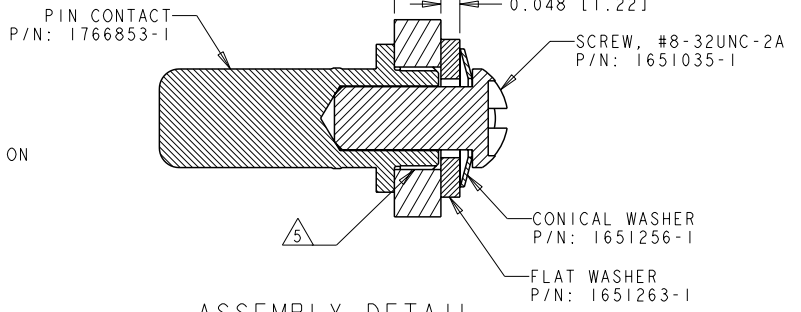
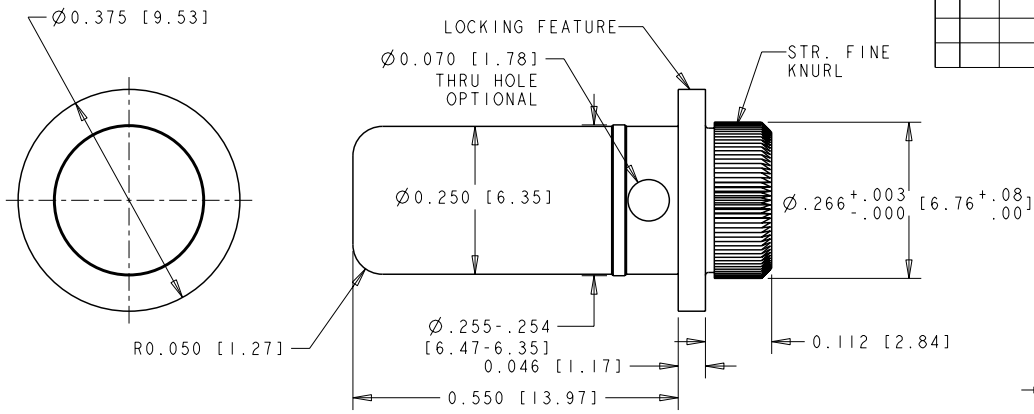
3

2

1

THIS DRAWING IS UNPUBLISHED. RELEASED FOR PUBLICATION 20  
 © COPYRIGHT 20 BY TYCO ELECTRONICS CORPORATION. ALL RIGHTS RESERVED.

LOC	DIST	REVISIONS					
GP	00	P	LTR	DESCRIPTION	DATE	DWN	APVD
		B		REVISED PER ECO-07-009904	01MAY2007	GIP	DO



- PART NUMBER CHANGES AND/OR DESIGN CHANGES AFFECTING ITEM INTERCHANGEABILITY REQUIRE PRIOR TYCO APPROVAL AND AUTHORIZATION BY REVISION TO THIS DRAWING.
  - ITEMS PROVIDED TO THIS SPECIFICATION SHALL BE IDENTIFIED ON THE CONTAINER WITH THE FOLLOWING INFORMATION: PART NUMBER & DATE CODE OF MANUFACTURE.
- 3** MATERIAL: PIN CONTACT: COPPER ALLOY  
CONICAL WASHER: SPRING STEEL  
SCREW & FLAT WASH.: STEEL
  - 4** FINISH: PIN CONTACT: SILVER PLATE .00020 MIN THICK  
OVER NICKEL .000040 MIN THICK.  
SCREW: NICKEL PLATE  
CONICAL & FLAT WASH.: NICKEL PLATE

**5** RECOMMENDED HOLE DIAMETER AFTER PLATING:  
 $\varnothing .260^{+.003}/.001$  [6.60<sup>+.07</sup>/.03].

6648224-1  
 PART NUMBER

<small>THIS DRAWING IS A CONTROLLED DOCUMENT FOR TYCO ELECTRONICS CORPORATION          IT IS SUBJECT TO CHANGE AND THE CONTROLLING ENGINEERING ORGANIZATION          SHOULD BE CONTACTED FOR THE LATEST REVISION.</small>		DWN 01MAY2007 G. PETERS CHK 01MAY2007 D. ORRIS APVD 01MAY2007 S. FLICKINGER	Tyco Electronics Harrisburg, PA 17105-3608
DIMENSIONS: INCHES	TOLERANCES UNLESS OTHERWISE SPECIFIED: 0 PLC ± 1 PLC ± 2 PLC ±.02 [.5] 3 PLC ±.010 [.25] 4 PLC ± ANGLES ±.5	NAME PIN CONTACT, S1Z4 #4, SCREW MOUNT, LOCKING STYLE, PRESS FIT	RESTRICTED TO
MATERIAL	FINISH	SIZE CAGE CODE DRAWING NO A3 00779 C-6648224	
CUSTOMER DRAWING		SCALE	SHEET OF REV