

4

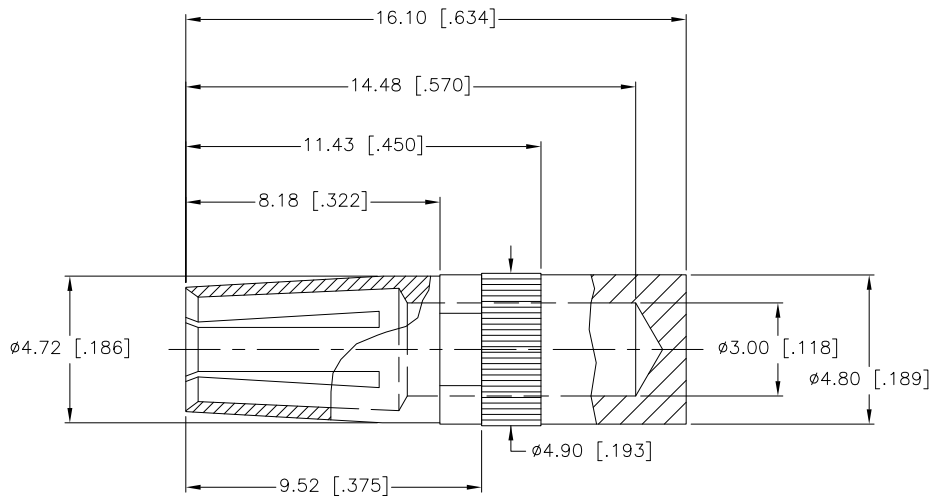
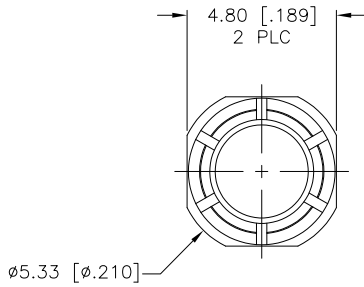
3

2

1

THIS DRAWING IS UNPUBLISHED. RELEASED FOR PUBLICATION
 © COPYRIGHT - BY TYCO ELECTRONICS CORPORATION. ALL RIGHTS RESERVED.

LOC	DIST	REVISIONS			
P	LTR	DESCRIPTION	DATE	DWN	APVD
	A	REV PER EC OS12-0450-04	13JAN05	BC	RP
	A1	REVISED PER ECO-09-023313	12OCT09	KK	AEG



1 CONTACT: BERYLLIUM COPPER

2 OBSOLETE PARTS: OBSOLETE CIS STREAMLINING PER D.RENAUD/D.SINISI

2	OBSOLETE	1.27µm [.000050] MIN GOLD	1	148375-2
		0.76µm [.000030] MIN GOLD	1	148375-1
		FINISH	MATERIAL	PART NUMBER

THIS DRAWING IS A CONTROLLED DOCUMENT.		DWN	Tyco Electronics		Tyco Electronics Corporation	
DIMENSIONS:		L. BRINER	3/3/97	Harrisburg, Pa 17105-3608		
mm		CHK	3/3/97	NAME		
TOLERANCES UNLESS OTHERWISE SPECIFIED:		R. PATTERSON	3/3/97	PRODUCT SPEC		
0 PLC	± -	R. PATTERSON	3/3/97	APPLICATION SPEC		
1 PLC	± -			WEIGHT		
2 PLC	± 0.13 [.005]			SIZE		
3 PLC	± -			CAGE CODE		
4 PLC	± -			DRAWING NO		
ANGLES	± -			RESTRICTED TO		
MATERIAL	FINISH			A3		
	SEE TABLE			00779		
				C=148375		
				CUSTOMER DRAWING		
				SCALE 4:1		
				SHEET 1 OF 1		
				REV A1		

AMP 1470-19 REV 31MAR2000