

4

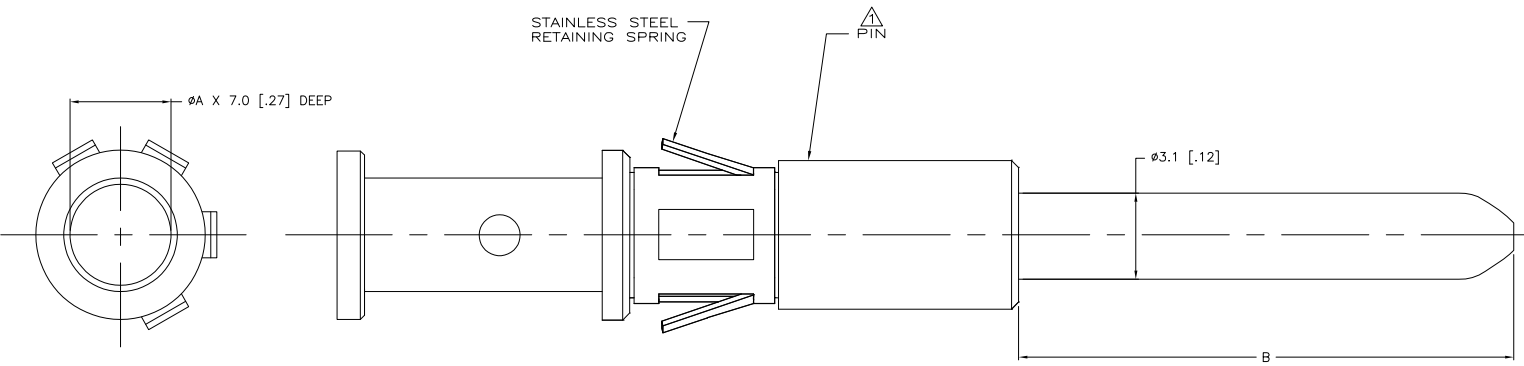
3

2

1

THIS DRAWING IS UNPUBLISHED. RELEASED FOR PUBLICATION
 © COPYRIGHT BY TYCO ELECTRONICS CORPORATION. ALL RIGHTS RESERVED.

LOC	DIST	REVISIONS					
FT	0	F	LR	DESCRIPTION	DATE	OWN	APP'D
		G1		REVISED PER ECO-06-29166	12/13/06	SS	GS



NOTE	SEQUENCE	LENGTH	DIAMETER	WIRE AWG	PART NO.
NOTE 2	FIRST	13.75 [.541]	3.68 [.145]	#10	1-194189-2
NOTE 2	FIRST	13.75 [.541]	4.60 [.181]	#8	1-194189-1
NOTE 3	SECOND	11.75 [.461]	2.67 [.105]	#12-#14	1-194189-0
NOTE 2	THIRD	9.75 [.384]	2.67 [.105]	#12-#14	194189-9
NOTE 2	THIRD	9.75 [.384]	3.68 [.145]	#10	194189-8
NOTE 2	THIRD	9.75 [.384]	4.60 [.181]	#8	194189-7
NOTE 2	SECOND	11.75 [.461]	2.67 [.105]	#12-#14	194189-6
NOTE 2	FIRST	13.75 [.541]	2.67 [.105]	#12-#14	194189-3
FINISH	MATING SEQUENCE	B		A	WIRE AWG PART NO.

- 1. MATERIAL: TELLURIUM COPPER.
- 2. FINISH: SILVER PLATE OVER NICKEL PLATE.
- 3. FINISH: GOLD PLATE OVER NICKEL PLATE.

THIS DRAWING IS A CONTROLLED DOCUMENT. DATE: 28/SEP/05

TYCO Electronics Corporation
 Harrisburg, PA 17105-3608

PIN ASSEMBLY, 3 MM

APPC: NAME: PRODUCT SPEC: APPLICATION SPEC: WEIGHT: SIZE: A2 CASE CODE: 00779 DRAWING NO: C=194189 RESTRICTED TO: CUSTOMER DRAWING SCALE: SHEET 1 of 1 REV G1

AMP 1471-9 REV 31MM0200

194189