

4

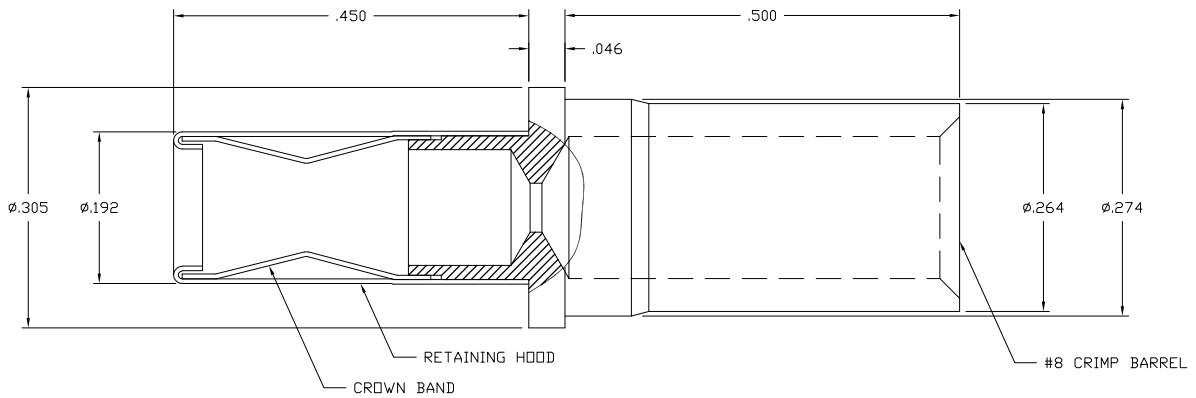
3

2

1

THIS DRAWING IS UNPUBLISHED. RELEASED FOR PUBLICATION
 © COPYRIGHT - BY TYCO ELECTRONICS CORPORATION. ALL RIGHTS RESERVED.

LOC	DIST	REVISIONS					
GP	00	P	LTR	DESCRIPTION	DATE	DWN	APVD
		A		RELEASED	18APR06	RG	SF



- 5. REFERENCE ELCON SERIES 702-31-11107.
- 4. FINISH:
 SOCKET BODY: SILVER PLATED .0002 MIN THK. OVER NICKEL .00004 MIN THK.
 CROWN CONTACT: GOLD PLATED .000030 MIN THK. OVER NICKEL .00004 MIN THK.
 RETAINING HOOD: PASSIVATED.

- 3. MATERIALS:
 SOCKET BODY: COPPER ALLOY

- CROWN CONTACT: BERYLLIUM COPPER.
 RETAINING HOOD: STAINLESS STEEL.

- 2. ITEMS PROVIDED TO THIS SPECIFICATION SHALL BE PERMANENTLY IDENTIFIED/PACKAGED PER THE FOLLOWING: CONNECTOR PART NUMBER AND DATE CODE OF MFR.

- 1. PART NUMBER CHANGES AND/OR DESIGN CHANGES AFFECTING ITEM INTERCHANGEABILITY REQUIRE PRIOR ELCON APPROVAL AND AUTHORIZATION BY REVISION TO THIS DRAWING.

AS SHOWN	6648317-1
DESCRIPTION	PART NUMBER

THIS DRAWING IS A CONTROLLED DOCUMENT.		DWN	18APR2006	tyco Electronics	Tyco Electronics Corporation Harrisburg, PA 17105-3608																													
DIMENSIONS: INCHES		CHK	18APR06		NAME																													
<table border="1"> <tr> <th colspan="2">DIMENSIONS:</th> <th colspan="2">TOLERANCES UNLESS OTHERWISE SPECIFIED:</th> </tr> <tr> <td>0</td> <td>PLC</td> <td>±</td> <td>-</td> </tr> <tr> <td>1</td> <td>PLC</td> <td>±</td> <td>.02</td> </tr> <tr> <td>2</td> <td>PLC</td> <td>±</td> <td>.010</td> </tr> <tr> <td>3</td> <td>PLC</td> <td>±</td> <td>-</td> </tr> <tr> <td>4</td> <td>PLC</td> <td>±</td> <td>-</td> </tr> <tr> <td colspan="2">ANGLES</td> <td>±</td> <td>.5</td> </tr> </table>		DIMENSIONS:		TOLERANCES UNLESS OTHERWISE SPECIFIED:		0	PLC	±	-	1	PLC	±	.02	2	PLC	±	.010	3	PLC	±	-	4	PLC	±	-	ANGLES		±	.5	APVD	18APR06	SOCKET CONTACT, SIZE #8 CRIMP REMOVABLE STYLE		
DIMENSIONS:		TOLERANCES UNLESS OTHERWISE SPECIFIED:																																
0	PLC	±	-																															
1	PLC	±	.02																															
2	PLC	±	.010																															
3	PLC	±	-																															
4	PLC	±	-																															
ANGLES		±	.5																															
MATERIAL		FINISH		PRODUCT SPEC	RESTRICTED TO																													
-		-		APPLICATION SPEC	SIZE	CAGE CODE																												
				WEIGHT	A3	00779																												
CUSTOMER DRAWING				DRAWING NO	C-6648317																													
				SCALE	1:1	SHEET 1 OF 1																												
				REV	A																													

ELCON CIRCULAR CONTACT

AMP 1470-19 REV 31MAR2000