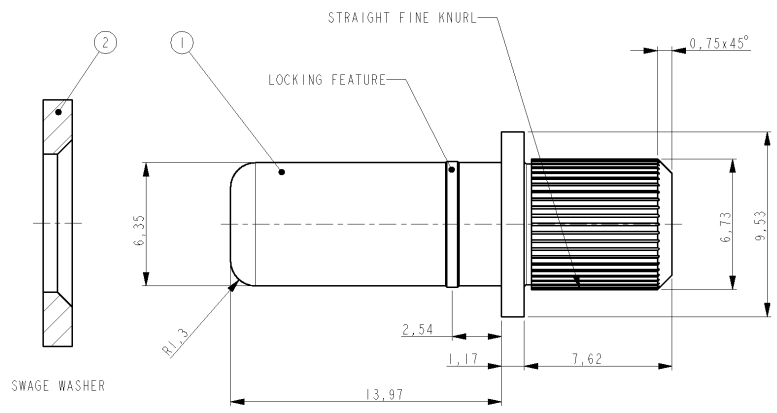
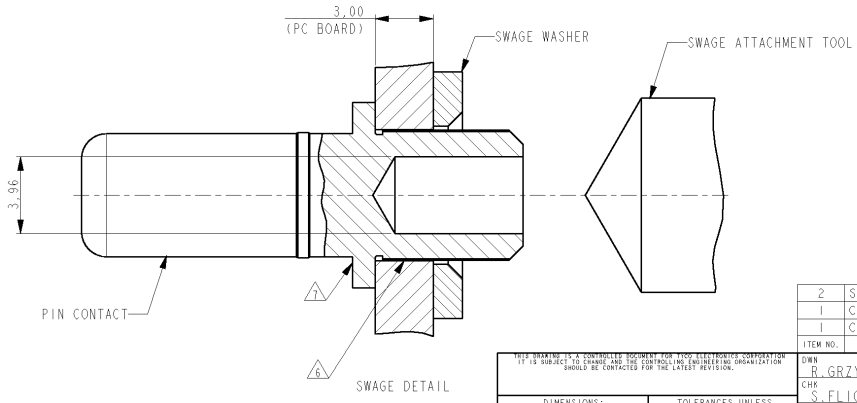


THIS DRAWING IS UNPUBLISHED. RELEASED FOR PUBLICATION  
 COPYRIGHT - BY TYCO ELECTRONICS CORPORATION. ALL RIGHTS RESERVED.

LOC	DIST	REVISIONS				
P	LTR	DESCRIPTION	DATE	DWN	APVD	
A		RELEASED	03APR06	RG	SF	
B		ECR-08-017970	21JUL2008	JvdH	RL	



- NOTES:
- PART NUMBER CHANGES AND/OR DESIGN CHANGES AFFECTING ITEM INTERCHANGEABILITY REQUIRE PRIOR TYCO ELECTRONICS APPROVAL AND AUTHORIZATION BY REVISION TO THIS DRAWING.
  - ITEMS PROVIDED TO THIS SPECIFICATION SHALL BE IDENTIFIED ON THE CONTAINER. WITH THE FOLLOWING INFORMATION: PART NUMBER&DATE CODE OF MANUFACTURE.
  - MATERIAL: - PIN CONTACT : COPPER ALLOY  
- SWAGE WASHER : STEEL.
- ⚠ FINISH: -PIN CONTACT: SILVER 5,0μ MIN THK. OVER NICKEL 1,0μ MIN. THK.
  - ⚠ FINISH: -PIN CONTACT: GOLD 0,5μ MIN THK. OVER NICKEL 1,0μ MIN. THK.
  - ⚠ RECOMMENDED HOLE DIAMETER AFTER PLATING: ø6,60 +0,07 / -0,03
  - ⚠ RETAIN PIN CONTACT WITH SUPPORT TOOL BEFORE SWAGE OPERATION.



THIS DRAWING IS A CONTROLLED DOCUMENT FOR TYCO ELECTRONICS CORPORATION. IT IS SUBJECT TO SWAGE AND THE CONTROL FOR ENGINEERING MODIFICATION SHOULD BE CONTACTED FOR THE LATEST REVISION.

DIMENSIONS:	TOLERANCES UNLESS OTHERWISE SPECIFIED:
mm	
	0 PLC ±
	1 PLC ±
	2 PLC ±
	3 PLC ±
	4 PLC ±
	ANGLES ±
MATERIAL	FINISH

ITEM NO.	DESCRIPTION	MATERIAL	FINISH	QUANTITY
2	SWAGE WASHER 1,5MM THICK	STEEL		1
1	CONTACT PIN SIZE #4	COPPER ALLOY		1
1	CONTACT PIN SIZE #4	COPPER ALLOY		1

DWN: 01APR2008  
 CHK: R. GRZYBOWSKI  
 S. FLICKINGER 03APR06  
 APVD: S. FLICKINGER 03APR06  
 NAME: Tyco Electronics  
 Tyco Electronics Corporation  
 's-Hertogenbosch, Nederland  
 PRODUCT SPEC: PIN CONTACT, SIZE NO.4  
 APPLICATION SPEC: SWAGE MOUNT  
 LOCKING STYLE, PRESS FIT  
 SIZE: A3 CAGE CODE: 00779 DRAWING NO: C-6648222  
 WEIGHT: - RESTRICTED TO: -  
 CUSTOMER DRAWING SCALE: 1:1 SHEET: 1 OF: 1 REV: B

AMP 1470-19 REV 31MAR2000  
 P12/ENGINEER DRAWING

6648222-1  
 6648222-2