

4

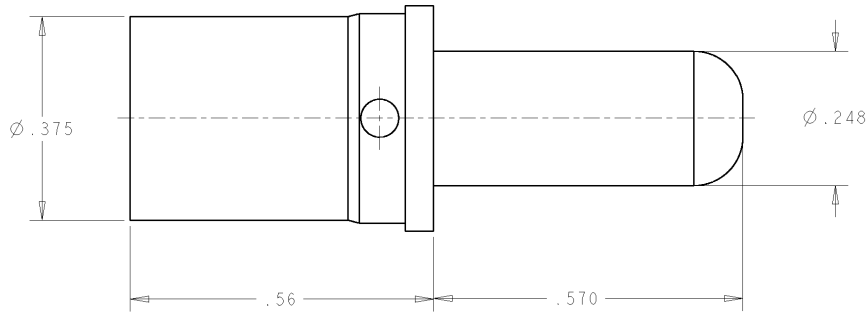
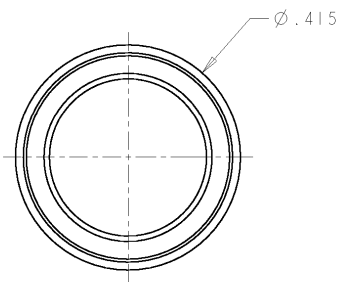
3

2

1

THIS DRAWING IS UNPUBLISHED. RELEASED FOR PUBLICATION 20  
 © COPYRIGHT 20 BY TYCO ELECTRONICS CORPORATION. ALL RIGHTS RESERVED.

LOC	DIST	REVISIONS				
P	LTR	DESCRIPTION	DATE	DWN	APVD	
	GP 00	A RELEASED	09MAY2007	RG	DO	



- PART NUMBER CHANGES AND OR DESIGN CHANGES AFFECTING THE INTERCHANGEABILITY REQUIRE PRIOR TYCO APPROVAL AND AUTHORIZATION BY REVISION TO THIS DRAWING.
- MATERIAL:  
COPPER ALLOY
- FINISH:  
SILVER PLATE .000200 MIN THK. OVER NICKEL  
.000040 MIN. THK.
- ITEMS PROVIDED TO THIS SPECIFICATION TO BE PERMANENTLY IDENTIFIED ON THE CONTAINER WITH THE FOLLOWING IDENTIFIER:

AS SHOWN	1766232-1
DESCRIPTION	PART NUMBER

TYCO PART NO. \_\_\_\_\_  
 XXXXXX-X

DATE CODE (e.g. 0216) \_\_\_\_\_  
 YEAR | WEEK  
 XXXX

<small>THIS DRAWING IS A CONTROLLED DOCUMENT FOR TYCO ELECTRONICS CORPORATION        IT IS SUBJECT TO CHANGE AND THE CONTROLLING ENGINEERING ORGANIZATION        SHOULD BE CONTACTED FOR THE LATEST REVISION.</small>		DWN 09MAY2007 R. GRZYBOWSKI CHK 09MAY2007 D. ORRIS APVD 09MAY2007 S. FLICKINGER	<b>Tyco Electronics</b> Tyco Electronics Harrisburg, PA 17105-3608
DIMENSIONS: INCHES 	TOLERANCES UNLESS OTHERWISE SPECIFIED: 0 PLC ± 1 PLC ± 2 PLC ±.02 3 PLC ±.010 4 PLC ± ANGLES ± FINISH -	PRODUCT SPEC - APPLICATION SPEC - WEIGHT -	NAME PIN CONTACT, .25 DIA. WITH No. 4 CRIMP BARREL SIZE CAGE CODE DRAWING NO A300779 C-1766232 RESTRICTED TO -
MATERIAL -		CUSTOMER DRAWING	
		SCALE 6:1	SHEET 1 OF 1 REV A

**ELCON CONTACTS**

AMP 1470-19 REV 31MAR2000

Professional Engineer Drawing