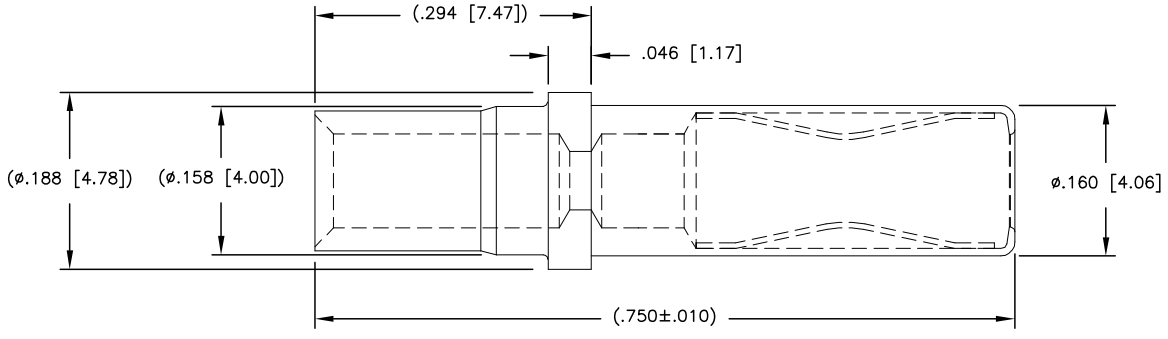


This drawing is the property of Tyco Electronics Corporation, and all rights, including the right of reproduction, are reserved. It is intended for a specific purpose and the drawings and notes are subject to change without notice. (A) This drawing is not to be used for manufacturing or assembly of parts or for assembly drawings or for any other purpose without the express written permission of Tyco Electronics Corporation.

REVISIONS			
EC	REV	DESCRIPTION	DATE
CPR	B	NEW RELEASE	03/27/07



4. FINISHES:  
 SOCKET BODY: SILVER PLATED.  
 CROWN: GOLD PLATED.
3. MATERIALS:  
 SOCKET BODY: COPPER ALLOY.  
 CROWN: BeCu

2. ITEMS PROVIDED TO THIS SPECIFICATION SHALL BE IDENTIFIED WITH THE FOLLOWING MINIMUM INFORMATION ON THE SHIPPING PACKAGE MFG IDENT, PART NUMBER AND DATE CODE OF MANUFACTURE.

1. PART NUMBER AND/OR DESIGN CHANGES AFFECTING ITEM INTERCHANGEABILITY REQUIRE PRIOR TYCO APPROVAL AND AUTHORIZATION BY REVISION TO THIS DRAWING.

NOTES: UNLESS OTHERWISE SPECIFIED

INCH OR INCH (MM)  THIRD ANGLE PROJECTION UNLESS OTHERWISE SPECIFIED DIMENSIONS ARE IN INCHES (METRIC) TOLERANCES ANGLES ± .5° DECIMALS .XXX ± .010 (.25) .XX ± .02 (.5)	DRAWN LOVATO/M. ALIM	DATE 12/05/05	 Tyco Electronics Corporation Menlo Park, Ca 94025 	TITLE
	CHECKED			CONTACT, SOCKET, SIZE #12 CRIMP REMOVABLE PN 6648318-1
	APPROVED D. CHAU	12/05/05	SIZE B	DWG NUMBER C= 6648318
	DCA APPROVED M. ALIM	12/05/05	REV. B	
ACAD FILE NUMBER C6648318A.DWG	DWG SCALE 10=1		SH 1 OF 1	