

4

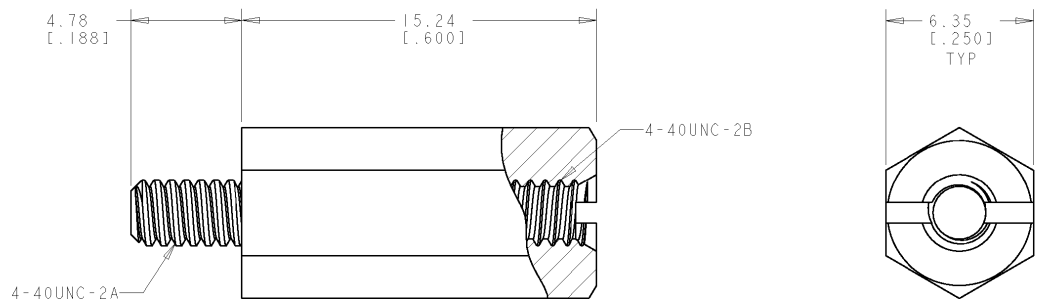
3

2

1

THIS DRAWING IS UNPUBLISHED. RELEASED FOR PUBLICATION 20
 © COPYRIGHT 20 BY TYCO ELECTRONICS CORPORATION. ALL RIGHTS RESERVED.

LOC	DIST	REVISIONS				
P	LTR	DESCRIPTION	DATE	DWN	APVD	
		REV PER EC 063C-0183-01	13JUN2001	MB	JO	
		ECO-07-012274	31MAY2007	RB	JO	



OBSOLETE

1445005-1
PART NO

<small>THIS DRAWING IS A CONTROLLED DOCUMENT FOR THE ELECTRONICS CORPORATION IT IS SUBJECT TO CHANGE AND THE CONTROLLING ENGINEERING ORGANIZATION SHOULD BE CONTACTED FOR THE LATEST REVISION.</small>		DWN W. G. LENKER 12JUL2000 CHK J. OLSON 13JUN2001 APVD J. OLSON 13JUN2001	AMP Tyco Electronics Harrisburg, PA 17105-3608	
DIMENSIONS: mm [INCHES]	TOLERANCES UNLESS OTHERWISE SPECIFIED: 0 PLC ± 1 PLC ± 2 PLC ±0.13 3 PLC ± 4 PLC ± ANGLES ±	PRODUCT SPEC APPLICATION SPEC WEIGHT	NAME STANDOFF, PC/104	
MATERIAL STEEL	FINISH CLEAR CHROMATE OVER ZINC	SIZE A3	CAGE CODE 00779	DRAWING NO C-1445005
CUSTOMER DRAWING			RESTRICTED TO -	SCALE 6:1 SHEET 1 OF 1 REV A

AMP 1470-19 REV 31MAR2000
 Proj/ENGINEER DRAWING