

DRAWING MADE IN THIRD ANGLE PROJECTION

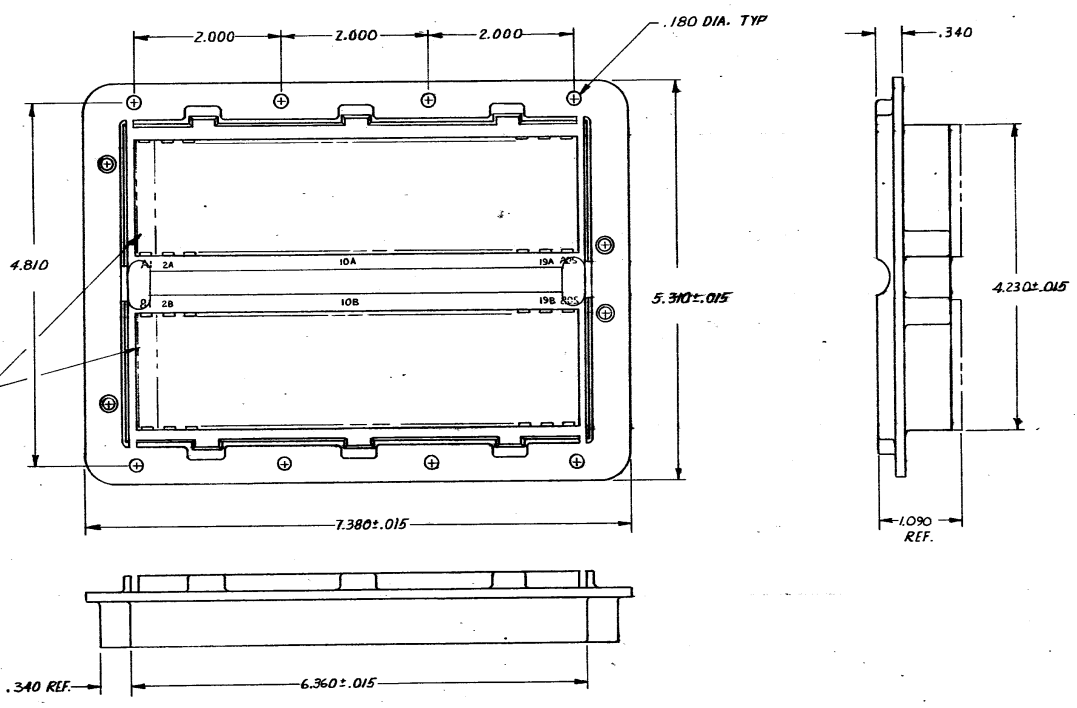
© COPYRIGHT 1981 BY AMP INCORPORATED, HARRISBURG, PA.  
ALL INTERNATIONAL RIGHTS RESERVED. AMP INCORPORATED PRODUCTS  
COVERED BY U. S. AND FOREIGN PATENTS AND/OR PATENTS PENDING.

Z08788-3 1. AS SHOWN

LOC DF DIST EO

P	F	ZONE	LTR	DESCRIPTION	DATE	APPROVED
✓	✓	O		RELEASED	10-28-81	DF
✓	✓	A		REVISED PER ECN J-925	11-13-81	DF
✓	✓	B		REVISED PER ECN J-995	1-13-82	DF
✓	✓	C		REVISED PER ECN K044	2-22-82	DF
✓	✓	D		REV ECN K-447	7-24-82	DF
✓	✓	E		REV PER ECN DF-1469	T.M. 9-1-83	DF

THIS DRAWING IS UNPUBLISHED



- △ CONTACT MODULES NOT INCLUDED.
- 2. MODULE LOCATIONS IDENTIFIED BY INK STAMPING AT AREAS AS SHOWN (BOTH MATING AND WIRING SIDE FACES)

UNLESS OTHERWISE SPECIFIED DIMENSIONS ARE IN INCHES. TOLERANCES ON: DECIMALS ± .010 ANGLES ± .010		CONTRACT NO.	AMP INCORPORATED Harrisburg, Pa.	
MATERIAL ALUMINUM ALLOY.	DR CHK APPD DSGN APPD OTHER APPD	NAME PLUG CONNECTOR 1040 POSITION ZERO ENTRY	SIZE C	CODE IDENT NO 00779
FINISH ZINC PLATED PER QQ-Z-325		DRAWING NO Z08788	SCALE	SHEET

CUSTOMER DRAWING