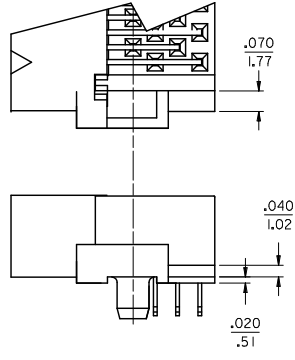
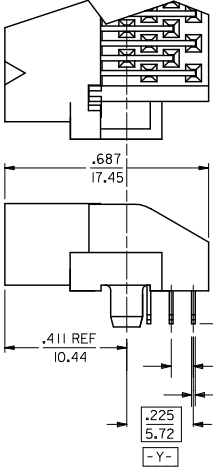
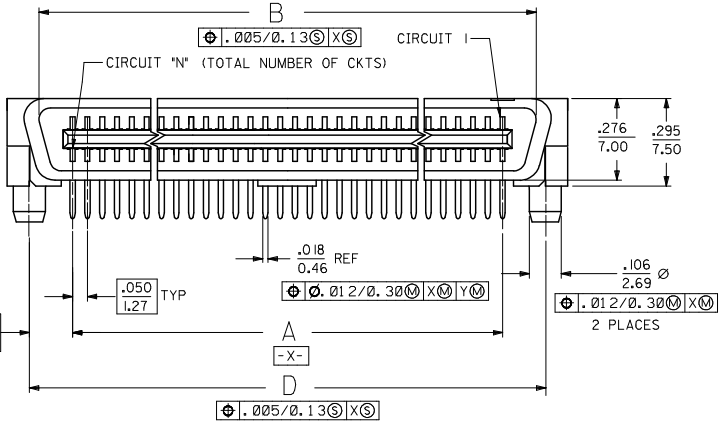
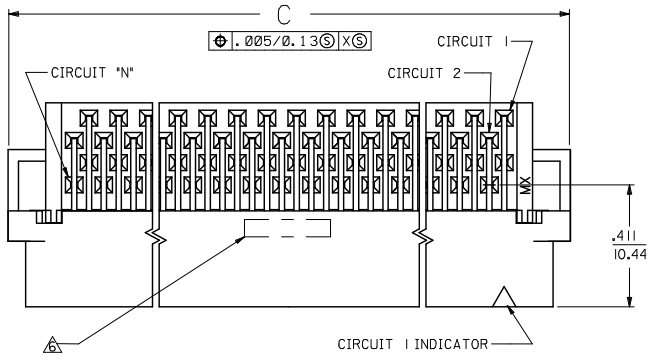


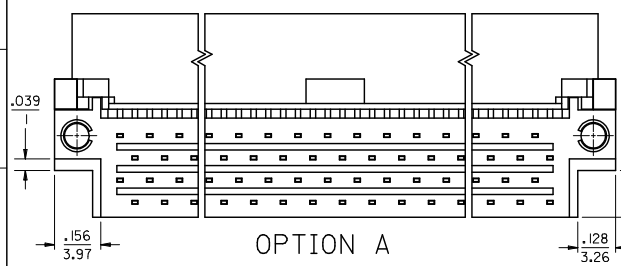
13 12 11 10 9 8 7 6 5 4 3 2 1

NOTES:
 1. MATERIAL:
 HOUSING: LIQUID CRYSTAL POLYMER (LCP), GLAS-FILLED, UL 94V-0,
 COLOR: BLASK
 TERMINALS: BRASS
 2. FINISH:
 TERMINAL: 0.76 MICROMETERS/30 MICROINCHES MINIMUM SELECTIVE GOLD
 IN CONTACT AREA, 1.27 MICROMETERS/50 MICROINCHES MINIMUM
 SELECTIVE TIN IN THE PC TAIL AREA, NICKEL UNDERPLATE OVERALL
 3. ASSEMBLY MATES WITH MOLEX P/N SDA-71660-****
 4. CONFORMS TO PRODUCT SPEC: PS-71660
 ▲ RECOMMENDED PC BOARD THICKNESS IS .062/1.60
 ▲ FOUR DIGIT DATE CODE (WK.YR) EXAMPLE 26 96 LOCATED IN AREA SHOWN
 ▲ TOOLING STATUS: "X" INDICATES NO TOOLING AVAILABLE
 CONTACT FACTORY FOR FURTHER INFORMATION



END DETAIL
 OPTION A
 (BOTH ENDS)

END DETAIL
 OPTION B
 (BOTH ENDS)



OPTION A

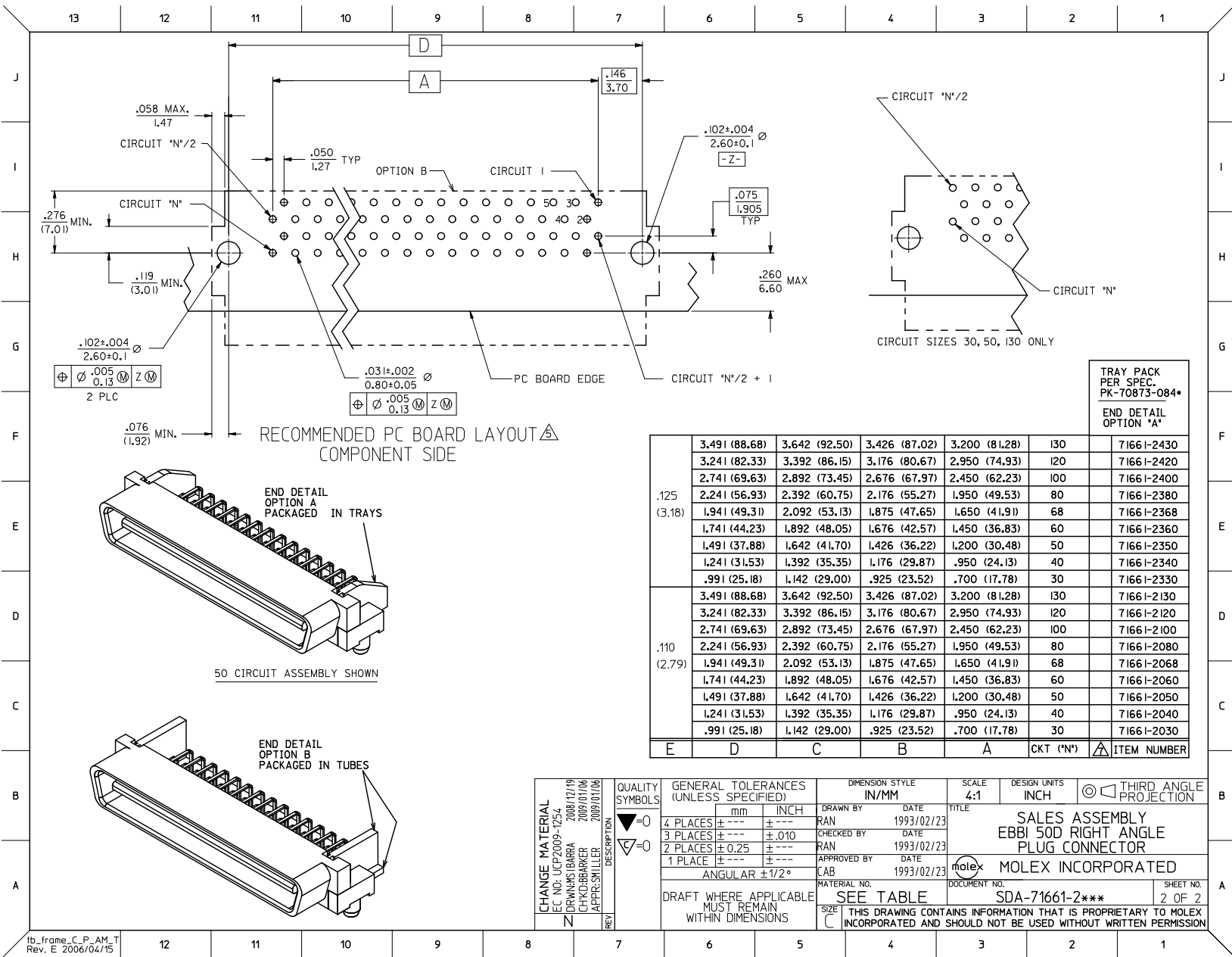
CHANGE MATERIAL	2008/12/19
EC NO.	2009/01/06
DRINKS BARRA	2009/01/06
CHROBARKER	2009/01/06
APPR: SHILLER	
REV	

QUALITY SYMBOLS	GENERAL TOLERANCES (UNLESS SPECIFIED)
▽=0	4 PLACES ± .010
▽=0	3 PLACES ± .010
	2 PLACES ± .025
	1 PLACE ± .050
	ANGULAR ± 1/2°
	DRAFT WHERE APPLICABLE MUST REMAIN WITHIN DIMENSIONS

DIMENSION STYLE	SCALE	DESIGN UNITS	THIRD ANGLE PROJECTION
IN/MM	4:1	INCH	☑
DRAWN BY	DATE	TITLE	
RAN	1993/02/23	SALES ASSEMBLY	
CHECKED BY	DATE	EBBI 50D RIGHT ANGLE	
RAN	1993/02/23	PLUG CONNECTOR	
APPROVED BY	DATE	MATERIAL NO.	DOCUMENT NO.
CAB	1993/02/23	SEE TABLE	SDA-71661-2***
		SIZE	SHEET NO.
		C	1 OF 2

MATERIAL NO.	DOCUMENT NO.	SHEET NO.
SEE TABLE	SDA-71661-2***	1 OF 2

12 11 10 9 8 7 6 5 4 3 2 1



TRAY PACK PER SPEC. PK-70873-084*
END DETAIL OPTION "A"

CIRCUIT SIZES 30, 50, 130 ONLY	CIRCUIT SIZES 30, 50, 130 ONLY					CTK ('N')	ITEM NUMBER
	30	50	100	120	130		
.125 (3.18)	3.491 (88.68)	3.642 (92.50)	3.426 (87.02)	3.200 (81.28)	130		7166I-2430
	3.241 (82.33)	3.392 (86.15)	3.176 (80.67)	2.950 (74.93)	120		7166I-2420
	2.741 (69.63)	2.892 (73.45)	2.676 (67.97)	2.450 (62.23)	100		7166I-2400
	2.241 (56.93)	2.392 (60.75)	2.176 (55.27)	1.950 (49.53)	80		7166I-2380
	1.941 (49.31)	2.092 (53.13)	1.875 (47.65)	1.650 (41.91)	68		7166I-2368
	1.741 (44.23)	1.892 (48.05)	1.676 (42.57)	1.450 (36.83)	60		7166I-2360
.110 (2.79)	1.491 (37.88)	1.642 (41.70)	1.426 (36.22)	1.200 (30.48)	50		7166I-2350
	1.241 (31.53)	1.392 (35.35)	1.176 (29.87)	.950 (24.13)	40		7166I-2340
	.991 (25.18)	1.142 (29.00)	.925 (23.52)	.700 (17.78)	30		7166I-2330
	3.491 (88.68)	3.642 (92.50)	3.426 (87.02)	3.200 (81.28)	130		7166I-2130
	3.241 (82.33)	3.392 (86.15)	3.176 (80.67)	2.950 (74.93)	120		7166I-2120
	2.741 (69.63)	2.892 (73.45)	2.676 (67.97)	2.450 (62.23)	100		7166I-2100
.100 (2.54)	2.241 (56.93)	2.392 (60.75)	2.176 (55.27)	1.950 (49.53)	80		7166I-2080
	1.941 (49.31)	2.092 (53.13)	1.875 (47.65)	1.650 (41.91)	68		7166I-2068
	1.741 (44.23)	1.892 (48.05)	1.676 (42.57)	1.450 (36.83)	60		7166I-2060
	1.491 (37.88)	1.642 (41.70)	1.426 (36.22)	1.200 (30.48)	50		7166I-2050
	1.241 (31.53)	1.392 (35.35)	1.176 (29.87)	.950 (24.13)	40		7166I-2040
	.991 (25.18)	1.142 (29.00)	.925 (23.52)	.700 (17.78)	30		7166I-2030

CHANGE MATERIAL EC NO. UCP2009-1254 2088/12/19 DRWNS:IBARRA CHKD:BARBER APPR:SMILLER 2009/01/06 2009/01/06	QUALITY SYMBOLS ▽=0 ▽=0	GENERAL TOLERANCES (UNLESS SPECIFIED)		DIMENSION STYLE IN/MM		SCALE 4:1	DESIGN UNITS INCH	THIRD ANGLE PROJECTION
		4 PLACES ±--- ±--- 3 PLACES ±--- ±.010 2 PLACES ±0.25 ±--- 1 PLACE ±--- ±---	mm INCH --- --- --- ±.010 ±0.25 ±--- ±--- ±---	DRAWN BY RAN	DATE 1993/02/23	TITLE SALES ASSEMBLY EBBI 50D RIGHT ANGLE PLUG CONNECTOR		
		ANGULAR ±1/2°		CHECKED BY RAN	DATE 1993/02/23	MOLEX INCORPORATED		
		DRAFT WHERE APPLICABLE MUST REMAIN WITHIN DIMENSIONS		APPROVED BY CAB	DATE 1993/02/23	MATERIAL NO. SEE TABLE	DOCUMENT NO. SDA-71661-2***	

THIS DRAWING CONTAINS INFORMATION THAT IS PROPRIETARY TO MOLEX INCORPORATED AND SHOULD NOT BE USED WITHOUT WRITTEN PERMISSION