

L.T.R. REVISIONS		L.T.R. REVISIONS		L.T.R. REVISIONS		L.T.R. REVISIONS		L.T.R. REVISIONS		L.T.R. REVISIONS		L.T.R. REVISIONS		L.T.R. REVISIONS		L.T.R. REVISIONS		L.T.R. REVISIONS		L.T.R. REVISIONS	
ADD SHEET 3, & PRELOADED VIEW UDT1998-0464 KAS 98/12/21		RELEASED PER ECN # U60545 95/11/02 J. LONG		ADDED NOTE 7 & CABLE ASSEMBLY PER EC # U80273 J. LONG 97/12/01		ADDED 70498-5101 TO CHART PER EC #UDT1998-0089 J. LONG 98/03/24		ADDED 70498-5101 PER EC #UDT1998-0089 J. LONG 98/03/24		ADDED 70498-5101 PER EC #UDT1998-0089 J. LONG 98/03/24		ADDED 70498-5101 PER EC #UDT1998-0089 J. LONG 98/03/24		ADDED 70498-5101 PER EC #UDT1998-0089 J. LONG 98/03/24		ADDED 70498-5101 PER EC #UDT1998-0089 J. LONG 98/03/24		ADDED 70498-5101 PER EC #UDT1998-0089 J. LONG 98/03/24		ADDED 70498-5101 PER EC #UDT1998-0089 J. LONG 98/03/24	
ADD SHEET 3, & PRELOADED VIEW UDT1998-0464 KAS 98/12/21		RELEASED PER ECN # U60545 95/11/02 J. LONG		ADDED NOTE 7 & CABLE ASSEMBLY PER EC # U80273 J. LONG 97/12/01		ADDED 70498-5101 TO CHART PER EC #UDT1998-0089 J. LONG 98/03/24		ADDED 70498-5101 PER EC #UDT1998-0089 J. LONG 98/03/24		ADDED 70498-5101 PER EC #UDT1998-0089 J. LONG 98/03/24		ADDED 70498-5101 PER EC #UDT1998-0089 J. LONG 98/03/24		ADDED 70498-5101 PER EC #UDT1998-0089 J. LONG 98/03/24		ADDED 70498-5101 PER EC #UDT1998-0089 J. LONG 98/03/24		ADDED 70498-5101 PER EC #UDT1998-0089 J. LONG 98/03/24		ADDED 70498-5101 PER EC #UDT1998-0089 J. LONG 98/03/24	
ADD SHEET 3, & PRELOADED VIEW UDT1998-0464 KAS 98/12/21		RELEASED PER ECN # U60545 95/11/02 J. LONG		ADDED NOTE 7 & CABLE ASSEMBLY PER EC # U80273 J. LONG 97/12/01		ADDED 70498-5101 TO CHART PER EC #UDT1998-0089 J. LONG 98/03/24		ADDED 70498-5101 PER EC #UDT1998-0089 J. LONG 98/03/24		ADDED 70498-5101 PER EC #UDT1998-0089 J. LONG 98/03/24		ADDED 70498-5101 PER EC #UDT1998-0089 J. LONG 98/03/24		ADDED 70498-5101 PER EC #UDT1998-0089 J. LONG 98/03/24		ADDED 70498-5101 PER EC #UDT1998-0089 J. LONG 98/03/24		ADDED 70498-5101 PER EC #UDT1998-0089 J. LONG 98/03/24		ADDED 70498-5101 PER EC #UDT1998-0089 J. LONG 98/03/24	

3	D
2	E
1	E
	MFG, SH, REV.

REVISIONS		REVISIONS		REVISIONS		REVISIONS		REVISIONS		REVISIONS		REVISIONS		REVISIONS		REVISIONS		REVISIONS		REVISIONS	
ADD SHEET 3, & PRELOADED VIEW UDT1998-0464 KAS 98/12/21		RELEASED PER ECN # U60545 95/11/02 J. LONG		ADDED NOTE 7 & CABLE ASSEMBLY PER EC # U80273 J. LONG 97/12/01		ADDED 70498-5101 TO CHART PER EC #UDT1998-0089 J. LONG 98/03/24		ADDED 70498-5101 PER EC #UDT1998-0089 J. LONG 98/03/24		ADDED 70498-5101 PER EC #UDT1998-0089 J. LONG 98/03/24		ADDED 70498-5101 PER EC #UDT1998-0089 J. LONG 98/03/24		ADDED 70498-5101 PER EC #UDT1998-0089 J. LONG 98/03/24		ADDED 70498-5101 PER EC #UDT1998-0089 J. LONG 98/03/24		ADDED 70498-5101 PER EC #UDT1998-0089 J. LONG 98/03/24		ADDED 70498-5101 PER EC #UDT1998-0089 J. LONG 98/03/24	
ADD SHEET 3, & PRELOADED VIEW UDT1998-0464 KAS 98/12/21		RELEASED PER ECN # U60545 95/11/02 J. LONG		ADDED NOTE 7 & CABLE ASSEMBLY PER EC # U80273 J. LONG 97/12/01		ADDED 70498-5101 TO CHART PER EC #UDT1998-0089 J. LONG 98/03/24		ADDED 70498-5101 PER EC #UDT1998-0089 J. LONG 98/03/24		ADDED 70498-5101 PER EC #UDT1998-0089 J. LONG 98/03/24		ADDED 70498-5101 PER EC #UDT1998-0089 J. LONG 98/03/24		ADDED 70498-5101 PER EC #UDT1998-0089 J. LONG 98/03/24		ADDED 70498-5101 PER EC #UDT1998-0089 J. LONG 98/03/24		ADDED 70498-5101 PER EC #UDT1998-0089 J. LONG 98/03/24		ADDED 70498-5101 PER EC #UDT1998-0089 J. LONG 98/03/24	
ADD SHEET 3, & PRELOADED VIEW UDT1998-0464 KAS 98/12/21		RELEASED PER ECN # U60545 95/11/02 J. LONG		ADDED NOTE 7 & CABLE ASSEMBLY PER EC # U80273 J. LONG 97/12/01		ADDED 70498-5101 TO CHART PER EC #UDT1998-0089 J. LONG 98/03/24		ADDED 70498-5101 PER EC #UDT1998-0089 J. LONG 98/03/24		ADDED 70498-5101 PER EC #UDT1998-0089 J. LONG 98/03/24		ADDED 70498-5101 PER EC #UDT1998-0089 J. LONG 98/03/24		ADDED 70498-5101 PER EC #UDT1998-0089 J. LONG 98/03/24		ADDED 70498-5101 PER EC #UDT1998-0089 J. LONG 98/03/24		ADDED 70498-5101 PER EC #UDT1998-0089 J. LONG 98/03/24		ADDED 70498-5101 PER EC #UDT1998-0089 J. LONG 98/03/24	

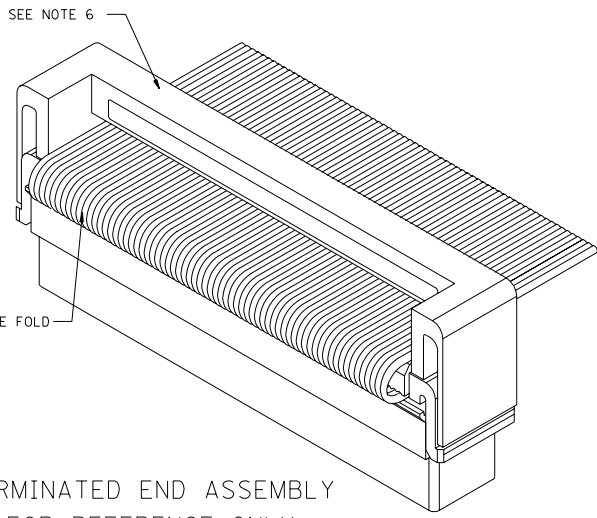
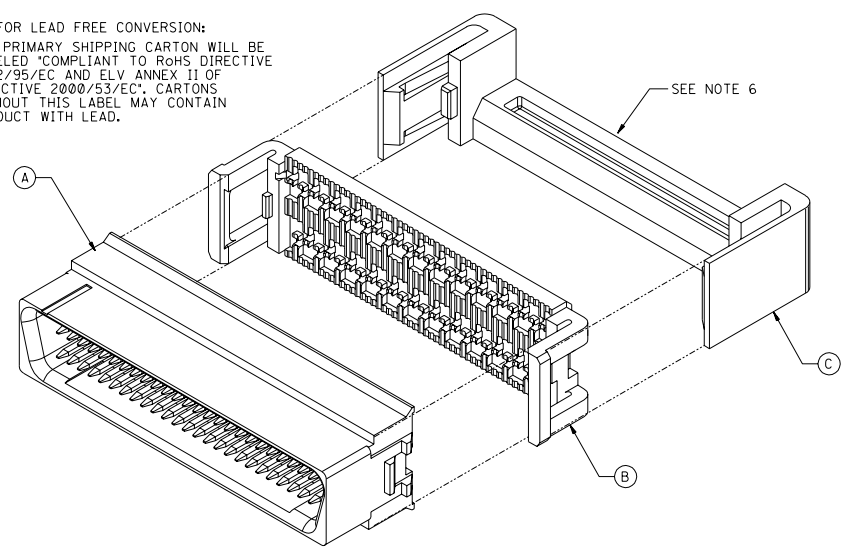
13 12 11 10 9 8 7 6 70498 4 3 2 1

- NOTES:**
- REFER TO PS-79058 PRODUCT SPEC FOR ELECTRICAL, MECHANICAL AND ENVIRONMENTAL SPECIFICATIONS.
  - MATERIAL:**  
 PLUG HOUSING: POLYESTER (PBT), GLASS FILLES, UL94 V-0, COLOR: BLACK  
 CONTACT: PHOSPHOR BRONZE  
 UPPER HOUSING: POLYESTER (PBT), GLASS FILLES, UL94 V-0, COLOR: BLACK  
 STRAIN RELIEF: POLYESTER (PBT), GLASS FILLES, UL94 V-0, COLOR: BLACK

ITEM NO.	CKT. SIZE	PLATING TYPE	ITEM	DESCRIPTION/ITEM NO.	QTY	"A"		"B"		"C"		"D"		"E"	
						IN.	MM.	IN.	MM.	IN.	MM.	IN.	MM.	IN.	MM.
70498-5050	50	GOLD 30	A	PLUG ASSEMBLY : 70498-2050	1										
			B	UPPER HOUSING : 70497-1050	1	1.200	30.48	1.225	31.12	1.372	34.85	1.577	40.06	1.580	40.13
			C	STRAIN-RELIEF : 70499-3050	1										
70498-5068	68	GOLD 30	A	PLUG ASSEMBLY : 70498-2068	1										
			B	UPPER HOUSING : 70497-1068	1	1.650	41.91	1.675	42.54	1.822	46.28	2.027	51.49	2.030	51.56
			C	STRAIN-RELIEF : 70499-3068	1										
70498-5101	68	GOLD 30	A	PLUG ASSEMBLY : 70498-2168	1										
			B	UPPER HOUSING : 70497-1068	1	1.650	41.91	1.675	42.54	1.822	46.28	2.027	51.49	2.030	51.56
			C	STRAIN-RELIEF : 70499-3068	1										
70498-5201	68	GOLD 15	A	PLUG ASSEMBLY : 70497-2168	1										
			B	UPPER HOUSING : 70497-1068	1	1.650	41.91	1.675	42.54	1.822	46.28	2.027	51.49	2.030	51.56
			C	STRAIN-RELIEF : 70499-3068	1										

- FINISHES: TERMINALS:**  
 (GOLD 15)  
 SELECTIVE GOLD: THICKNESS= 15 MICROINCHES/(0.38 MICROMETERS) MINIMUM.  
 SELECTIVE TIN: THICKNESS= 75 MICROINCHES/(1.90 MICROMETERS) MINIMUM.  
 NICKEL UNDERPLATE OVERALL.  
 (GOLD 30)  
 SELECTIVE GOLD: THICKNESS= 30 MICROINCHES/(0.76 MICROMETERS) MINIMUM.  
 SELECTIVE TIN: THICKNESS= 75 MICROINCHES/(1.90 MICROMETERS) MINIMUM.  
 NICKEL UNDERPLATE OVERALL.
- PACKAGING: SUBASSEMBLY SUPPLIED IN TUBES AND UPPER HSG. AND STRAIN-RELIEF SUPPLIED IN BULK PER PK-70873-0258.
  - RECOMMENDED CABLE: 30 AWG STRANDED OR SOLID, .025 RIBBON. CONTACT MOLEX INC. FOR LIST OF APPROVED CABLES.
  - APPLICATION TOOL CLOSURE OVER ASSY TO BE CONTROLLED TO .364±.001 USING A POSITIVE STOP TO ASSURE PROPER TERMINATION.
  - STRAIN-RELIEF MAY BE POSITIONED SO THE TIE-BAR ORIENTATION CAN BE ON EITHER SIDE IN RELATIONSHIP TO THE CONNECTOR "D" SHAPE. IF THE STRAIN-RELIEF WILL BE USED ON A CABLE HARNESS AT AN END TERMINATION THE ORIENTATION SHOULD BE AS SHOWN. THE TIE-BAR SHOULD BE ON THE OPPOSITE SIDE OF THE CONNECTOR FROM THE CABLE FOLD.

**NOTE FOR LEAD FREE CONVERSION:**  
 THE PRIMARY SHIPPING CARTON WILL BE LABELED "COMPLIANT TO ROHS DIRECTIVE 2002/95/EC AND ELV ANNEX II OF DIRECTIVE 2000/53/EC". CARTONS WITHOUT THIS LABEL MAY CONTAIN PRODUCT WITH LEAD.



DETAIL FOR PK-70873-0258  
 FOR TUBE/BULK PACKAGING  
 ITEM SERIES 70498-50\*\* & -51\*\*

**50 CIRCUIT ASSEMBLY**

SEE ALSO SHEET 3

MFG.		SH.	REV.
C	SEE SHEET 1	B	SEE SHEET 1
E	SEE SHEET 1	B	SEE SHEET 1
D	SEE SHEET 1	A	SEE SHEET 1
LTR.	REVISIONS	LTR.	REVISIONS

DIMENSIONS SHOWN IN METRIC INCH		REVISIONS ONLY ON CAD SYSTEM	
UNLESS OTHERWISE SPECIFIED TOLERANCES ANGULAR ± 1/32°		TITLE	
3 PLACE ± .001	2 PLACE ± .005	SCSI ALL-PLASTIC MODULAR SUB-ASSEMBLY KIT FOR .025 RIBBON CABLE PLUG	
1 PLACE ± .010	1 PLACE ± .010	MOLEX INCORPORATED SHEET NO. 2 DATE 95/11/08	
DRAFT WHERE APPLICABLE MUST REMAIN WITHIN DIMENSIONS		PART NO. 1515EJLL 68532	
DRAWN BY J. Kemp		CHECKED BY J. Kemp	
APP'D. DCB		SCALE 4 : 1	
FILE NAME 57049852		THIS DRAWING CONTAINS INFORMATION THAT IS PROPRIETARY TO MOLEX INC. AND SHOULD NOT BE USED WITHOUT WRITTEN PERMISSION.	
DCB		DC	

TERMINATED END ASSEMBLY  
 FOR REFERENCE ONLY

13 12 11 10 9 8 7 6 5 4 3 2 1