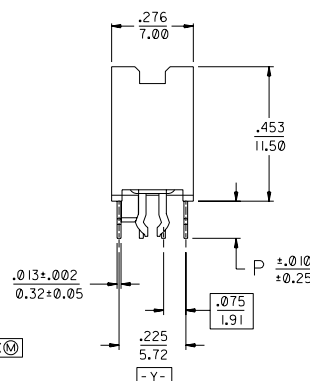
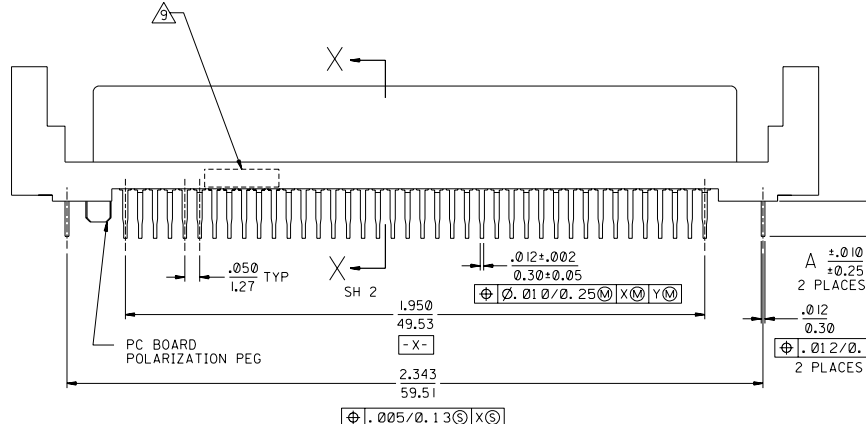
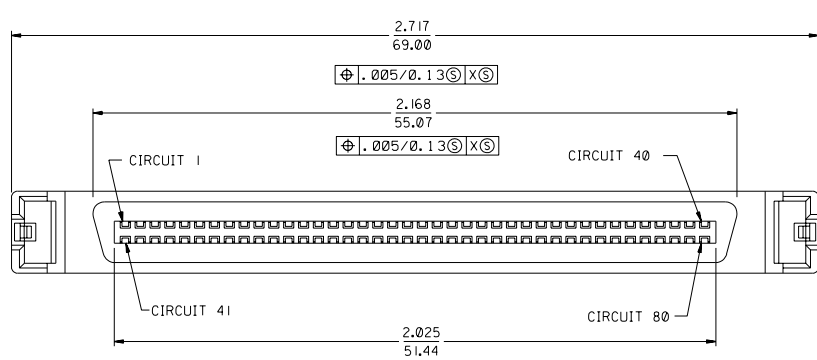


13 12 11 10 9 8 7 6 5 4 3 2 1

- NOTES:
- 1) MATERIALS:
HOUSING- LIQUID CRYSTAL POLYMER (LCP), GLASS FILLED, UL 94V-0, BLACK.
TERMINALS- COPPER ALLOY
ESD METAL PEGS- COPPER ALLOY.
 - 2) FINISH OPTION 1:
TERMINALS:
.00030/(0.00076) MINIMUM GOLD IN CONTACT AREA AND .000100/(0.00254) MINIMUM TIN IN TAIL AREA OVER NICKEL UNDERPLATE OVERALL.
ESD METAL PEGS:
.000150/(0.00381) MINIMUM TIN OVER NICKEL UNDERPLATE OVERALL.
 - 3) FINISH OPTION 2:
TERMINALS:
GOLD FLASH IN SELECT CONTACT AREA OVER .00030/(0.00076) MINIMUM PALLADIUM NICKEL IN CONTACT AREA AND .000075/(0.00191) MINIMUM TIN IN TAIL AREA OVER NICKEL UNDERPLATE OVERALL.
ESD METAL PEGS:
.000150/(0.00381) MINIMUM TIN OVER NICKEL UNDERPLATE OVERALL.
 - 4) CONFORMS TO PRODUCT SPECIFICATION PS-73826-0000.
 - 5) CIRCUIT NUMBERS 1, 36 THRU 43, 45, 46, AND 75 THRU 80, ARE ADVANCED (LONG) TERMINALS FOR SEQUENTIAL MATING.
 - 6) CONNECTOR WILL ACCEPT MATING TO A P.C. BOARD WITH A THICKNESS OF .062±.003 (1.60±0.08).
 - 7) SEE TABLE FOR RECOMMENDED P.C. BOARD THICKNESS.
 - 8) PRODUCT PACKAGED PER PK-70873-083*
 - 9) FOUR DIGIT DATE CODE (WK, YR), EXAMPLE => 26 96 LOCATED IN AREA INDICATED.



NOTE FOR LEAD FREE CONVERSION:
THE PRIMARY SHIPPING CARTON WILL BE LABELED "COMPLIANT TO ROHS DIRECTIVE 2002/95/EC AND ELV ANNEX II OF DIRECTIVE 2000/53/EC". CARTONS WITHOUT THIS LABEL MAY CONTAIN PRODUCT WITH LEAD.

71743-1086	OBSELETE				
71743-1085	SEE NOTE	.130±.006 (3.30±0.15)	.118 (3.00)	.148 (3.75)	
71743-1084	SEE NOTE	.125±.006 (3.18±0.15)	.118 (3.00)	.134 (3.40)	
71743-1083	SEE NOTE	.093±.006 (2.36±0.15)	.118 (3.00)	.125 (3.18)	
71743-1082	OBSELETE				
71743-1081	SEE NOTE	.062±.006 (1.60±0.15)	.118 (3.00)	.110 (2.79)	
71743-1080	SEE NOTE	.093±.006 (2.36±0.15)	.118 (3.00)	.125 (3.18)	
PART NUMBER	PLATING	PCB THICKNESS	DIM. A	DIM. P	

I	REVISED ECN UCP2004-2082 RKADAMS 04/04/22
H	REVISED ECN UCP2003-0093 BBARKER 02/08/13
G	REVISED ECN UDT 2000-1231 ACHAMMER 00-05-97
F3	REVISED ECN UDT 1999-0975 ACHAMMER 99-05-11
F2	REVISED ECN UDT 1999-0865 ACHAMMER 99-04-09
F1	REVISED ECN UDT 1998-0294 STANESLA 98-05-10
F	REVISED PER ECN U80654 ACHAMMER 97-9-18
E	REVISED PER ECN U71495 ACHAMMER 97-6-2
D1	REVISED PER ECN U70444 ACHAMMER 96-11-26
D	REVISED PER ECN 61278 5-2-96 OGA
C	REVISED PER ECN U81022 3-22-96 RAN
B	REVISED PER ECN U60641 11-29-95 DPS
A	INITIAL RELEASE PER ECN U60079 8-15-95 RAN

SALES ASSEMBLY
80 CKT SCA-2 CONNECTOR

MOLEX INCORPORATED

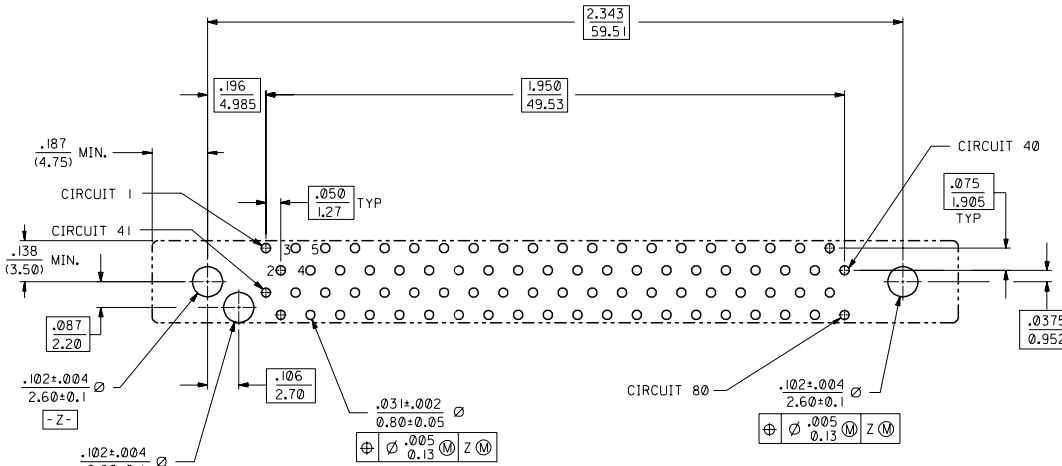
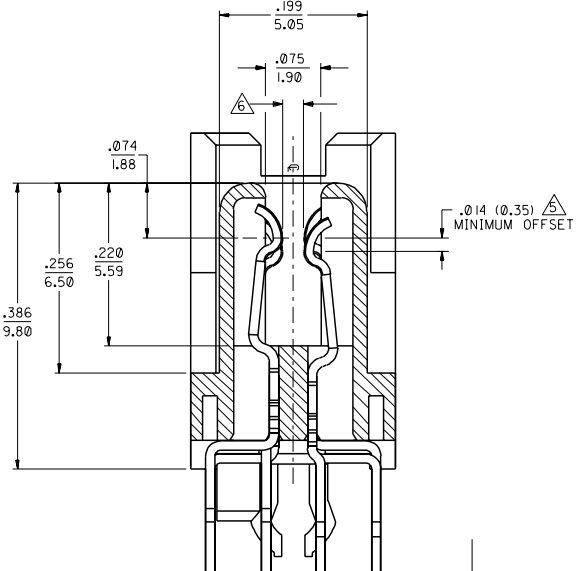
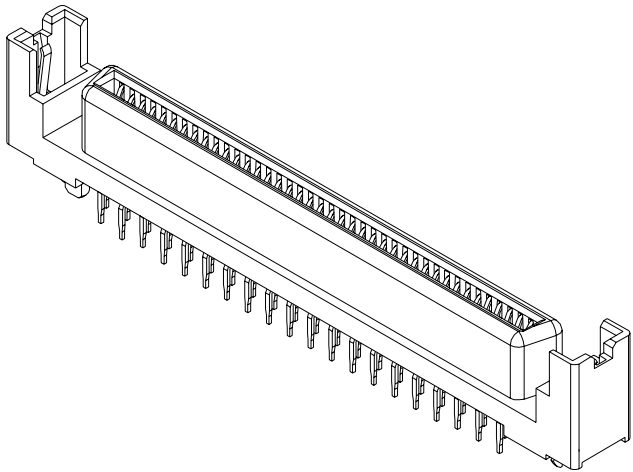
SEE TABLE SDA-71743-108*

DATE 7/21/95

REV. 1 OF 2

13 12 11 10 9 8 7 6 5 4 3 2 1

13 12 11 10 9 8 7 6 71743 4 3 2 1



RECOMMENDED PC BOARD LAYOUT COMPONENT SIDE

MFG. SH.		REV.	LTR.	REVISIONS
F2		SEE SHEET 1		
REVISIONS ONLY ON CAD SYSTEM				
DIMENSIONS SHOWN IN METRIC INCH		UNLESS OTHERWISE SPECIFIED		
TOLERANCES ANGULAR 1/2°				
TITLE		SALES ASSEMBLY		
ECCI VERTICAL RECEPTACLE		80 CKT SCA-2 CONNECTOR		
MOLEX INCORPORATED		SHEET NO.	DATE	
68532		2	7/21/95	
PART NO.		SEE TABLE		
DRAWN BY		DATE		
RAN		7/21/95		
SCALE		4:1		
APP'D.		FILE NAME		
CWF		ST1743YB		
		SIZE		
		C C		

13 12 11 10 9 8 7 6 5 4 3 2 1