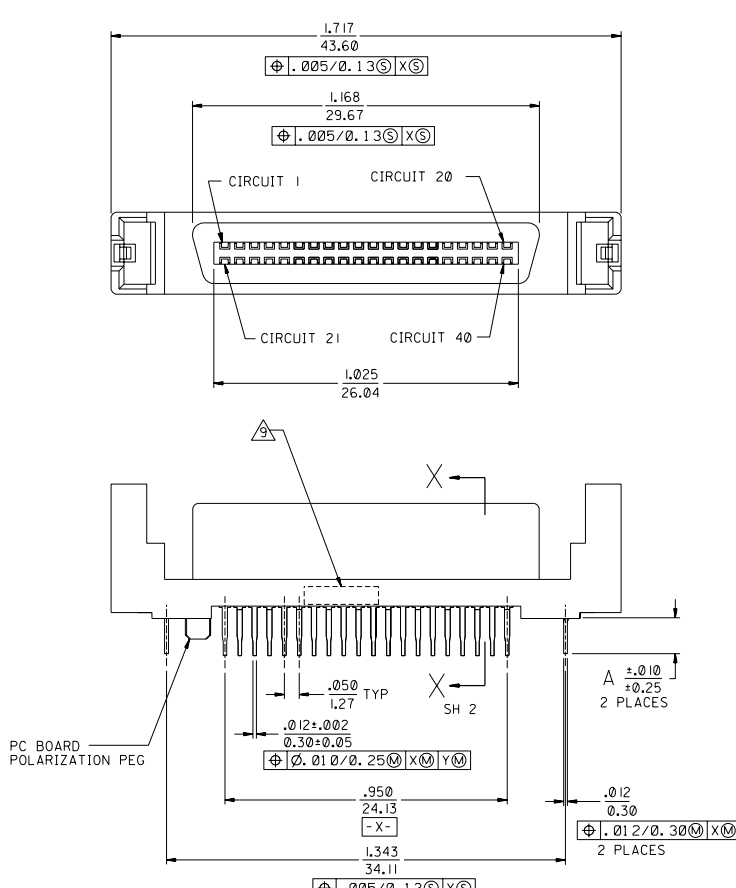
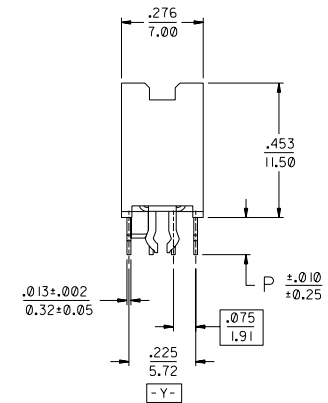


13 12 11 10 9 8 7 6 5 4 3 2 1



- NOTES:**
- 1) **MATERIALS:**  
HOUSING- LIQUID CRYSTAL POLYMER (LCP), GLASS FILLED, UL 94V-0, BLACK.  
TERMINALS- COPPER ALLOY  
ESD METAL PEGS- COPPER ALLOY.
  - 2) **PLATING OPTION 1:**  
TERMINALS:  
.000030/(0.00076) MINIMUM GOLD IN CONTACT AREA AND  
.000100/(0.00254) MINIMUM TIN IN TAIL AREA OVER NICKEL UNDERPLATING OVERALL.  
ESD METAL PEGS:  
.000150/(0.00381) MINIMUM TIN OVER NICKEL UNDERPLATING OVERALL.
  - 3) **PLATING OPTION 2:**  
TERMINALS: GOLD FLASH IN SELECT CONTACT AREA OVER .000030/(0.00076) MINIMUM PALLADIUM NICKEL IN CONTACT AREA AND .000075/(0.00191) MINIMUM TIN IN TAIL AREA OVER NICKEL UNDERPLATING OVERALL.  
ESD METAL PEGS:  
.000150/(0.00381) MINIMUM TIN OVER NICKEL UNDERPLATING OVERALL.
  - 4) CONFORMS TO PRODUCT SPECIFICATION PS-73826-0000.
  - 5) CIRCUIT NUMBERS 21 THRU 23, 26, 29, 32, 35 THRU 40, ARE ADVANCED (LONG) TERMINALS FOR SEQUENTIAL MATING.
  - 6) CONNECTOR WILL ACCEPT MATING TO A P.C. BOARD WITH A THICKNESS OF .062±.003 (1.60±0.08).
  - 7) SEE TABLE FOR RECOMMENDED P.C. BOARD THICKNESS.
  - 8) PRODUCT PACKAGED PER PK-70873-083\*
  - 9) FOUR DIGIT DATE CODE (WK, YR), EXAMPLE => 26 96 LOCATED IN AREA INDICATED.



PART NUMBER	PLATING	PCB THICKNESS	DIM. P	DIM. A
71743-1045	SEE NOTE 1	.130±.006 (3.30±0.15)	.148 (3.75)	.118 (3.00)
71743-1044	SEE NOTE 1	.125±.003 (3.18±0.08)	.134 (3.40)	.118 (3.00)
71743-1043	SEE NOTE 1	.093±.003 (2.36±0.08)	.125 (3.18)	.118 (3.00)
71743-1042	OBSOLETE			
71743-1041	SEE NOTE 1	.062±.003 (1.60±0.08)	.110 (2.79)	.118 (3.00)
71743-1040	SEE NOTE 1	.093±.003 (2.36±0.08)	.125 (3.18)	.118 (3.00)

**NOTE FOR LEAD FREE CONVERSION:**  
THE PRIMARY SHIPPING CARTON WILL BE LABELED 'COMPLIANT TO ROHS DIRECTIVE 2002/95/EC AND ELV ANNEX II OF DIRECTIVE 2000/53/EC'. CARTONS WITHOUT THIS LABEL MAY CONTAIN PRODUCT WITH LEAD.

J	REVISIONS
J	REVISOR: ECN UCP2004-2082 R. ADAMS 04/04/22
I	REVISOR: ECN UCP2003-0093 B. BARKER 02/08/13
H	REVISOR: ECN UDT 2000-1231 A. CHAMMER 00/05/97
G	REVISOR: ECN UDT 1999-0975 K. SMITH 99/05/26
F2	REVISOR: ECN UDT 1999-0865 A. CHAMMER 99-04-10
F1	REVISOR: ECN UDT 1998-0294 S. ANSLA 98/05/10
F	REVISOR: PER ECN U80654 A. CHAMMER 97-9-18
E	REVISOR: PER ECN U71495 A. CHAMMER 97-6-2
D1	REVISOR: PER ECN U70444 A. CHAMMER 96-11-26
D	REVISOR: PER ECN U61278 5-2-96 DGA
C	REVISOR: PER ECN U60641 11-29-95 DRS
B	REVISOR: PER ECN U60297 RAN
A	INITIAL RELEASE PER ECN U60079 8-15-95 RAN

DATE	BY	SCALE	APP'D.	FILE NAME	DATE	BY	SCALE	APP'D.
7/21/95	RAN	4:1	CWF	571743X4	7/21/95	RAN	4:1	CWF

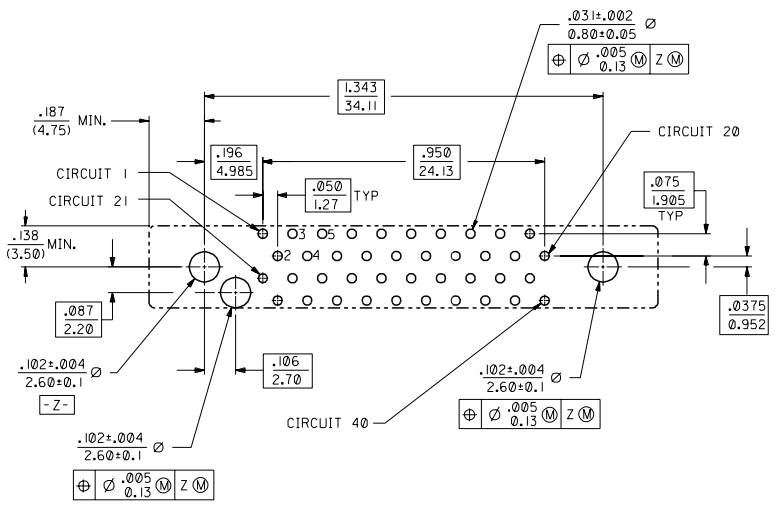
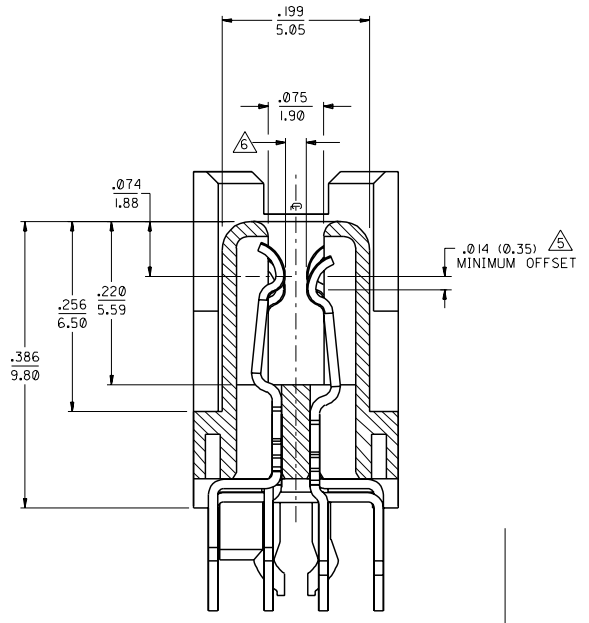
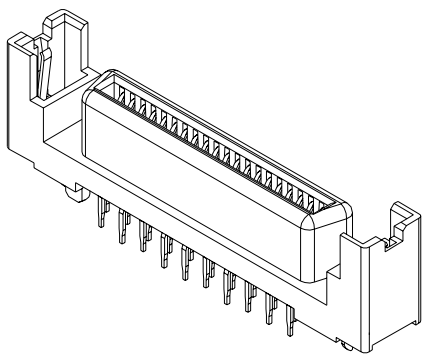
SALES ASSEMBLY  
EBBI VERTICAL RECEPTACLE  
40 CKT FIBRE CHANNEL CONN

MOLEX INCORPORATED  
LITTLE ROCK, AR 72116-0001

SEE TABLE SDA-71743-104\*

13 12 11 10 9 8 7 6 5 4 3 2 1

13 12 11 10 9 8 7 6 71743 4 3 2 1



RECOMMENDED PC BOARD LAYOUT COMPONENT SIDE

DIMENSIONS SHOWN (METRIC/INCH)		REV. LTR.		REVISIONS	
UNLESS OTHERWISE SPECIFIED TOLERANCES ANGULAR 1/2°		= 0		REVISE ONLY ON CAD SYSTEM	
± PLACE	± .005			TITLE	
± PLACE	± .01			SALES ASSEMBLY	
± PLACE	± .025			EBBI VERTICAL RECEPTACLE	
DRAFT WHERE APPLICABLE MUST REMAIN WITHIN DIMENSIONS				40 CKT FIBRE CHANNEL CONN	
DRWG. BY	SCALE	DATE	U.S.A.	SHEET NO.	DATE
RAN	4:1	7/21/95	2	2	7/21/95
APP'D. BY	SCALE	DATE	U.S.A.	SHEET NO.	DATE
CWF	4:1	7/21/95	2	2	7/21/95
PART NO.		DRAWING NO.		SEE TABLE	
71743-104		SDA-71743-104		SEE TABLE	
THIS DRAWING CONTAINS INFORMATION THAT IS PROPRIETARY TO MOLEX INC. AND SHOULD NOT BE USED WITHOUT WRITTEN PERMISSION.		DATE		SIZE	
		C		C	

13 12 11 10 9 8 7 6 5 4 3 2 1