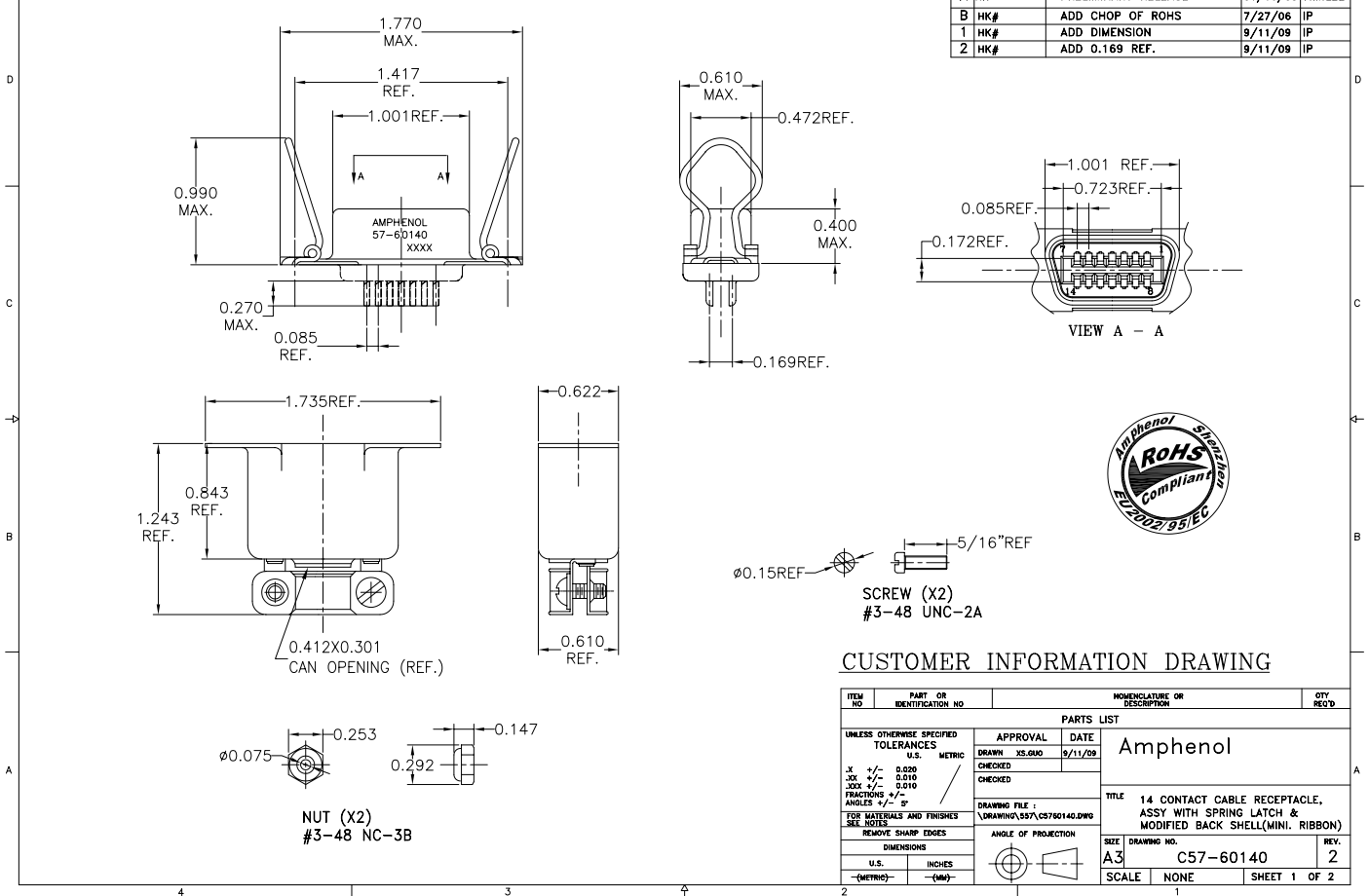


This document is the property of Amphenol Corporation and is loaned to the recipient for their use only. It is not to be distributed, reproduced, or used in any manner without the prior written consent of Amphenol Corporation. Amphenol Corporation reserves the right to modify or to use any information in this document.

REVISIONS				
SYM	ECN	DESCRIPTION	DATE	APPROVED
A	HK	PRELIMINARY RELEASE	01/16/03	Y.M.LEE
B	HK#	ADD CHOP OF ROHS	7/27/06	IP
1	HK#	ADD DIMENSION	9/11/09	IP
2	HK#	ADD 0.169 REF.	9/11/09	IP

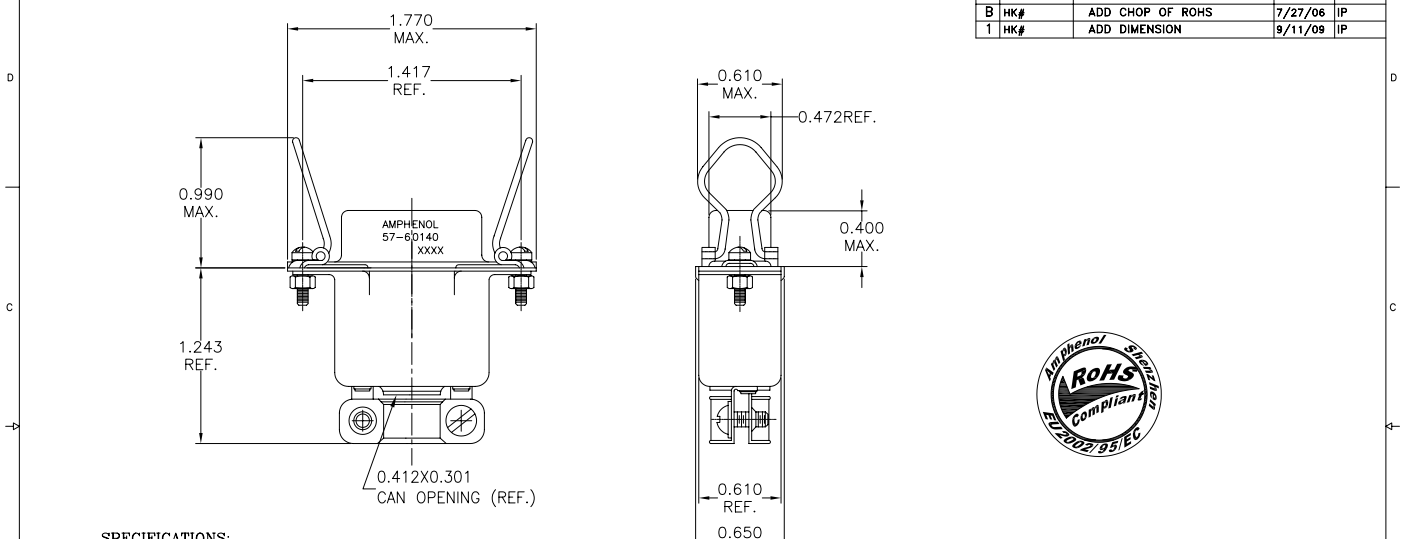


CUSTOMER INFORMATION DRAWING

ITEM NO.	PART OR IDENTIFICATION NO.	MONUMENTATION OR DESCRIPTION	QTY REQ'D
PARTS LIST			
Amphenol			
TITLE 14 CONTACT CABLE RECEPTACLE, ASSY WITH SPRING LATCH & MODIFIED BACK SHELL(MINI, RIBBON)			
DRAWING FILE: YDRARHW0507A05760140.DWG		SIZE	DRAWING NO.
SCALE NONE		A3	C57-60140
SHEET 1 OF 2		REV. 2	

This document is the property of Amphenol Corporation and is loaned to the recipient for their use only. It is not to be distributed, reproduced, or used in any manner without the prior written consent of Amphenol Corporation. Amphenol Corporation reserves the right to modify or to use any information in this document.

REVISIONS				
SYM	ECN	DESCRIPTION	DATE	APPROVED
A	HK	PRELIMINARY RELEASE	01/16/03	Y.M.LEE
B	HK#	ADD CHOP OF ROHS	7/27/06	IP
1	HK#	ADD DIMENSION	9/11/09	IP



SPECIFICATIONS:

- 1) SOLDER CUP CONTACT: TO ACCOMMODATE 22-30 AWG SOLID AND 24-30 STRANDED CONNECTOR WIRES.
- 2) DIELECTRIC: DIALYL-PHTHALATE PER MIL-M-14F TYPE MDG UL-94V0
- 3) CONTACT MATERIAL: COPPER ALLOY
- 4) CONTACT: 20 MICRO-INCHES MIN. GOLD MATING AREA; GOLD FLASH ON TAIL AREA. 50 MICRO-INCHES MIN. NICKEL UNDERPLATING ALL OVER.
- 5) SHELL MATERIAL: ZINC PLATED STEEL WITH CLEAR CHROMATE COATING
- 6) CURRENT CAPACITY: 5 AMPS/CONTACT
- 7) VOLTAGE RATING: 700 VOLTS D.C. AT SEA LEVEL. 200 VOLTS D.C. AT 70,000 FEET
- 8) INSULATION RESISTANCE: >5000 M OHM
- 9) DIELECTRIC WITHSTANDING VOLTAGE: 1200 VAC (RMS) AT SEA LEVEL
- 10) CONNECTOR MATING FORCE: REFER TO TABLE 1.

- 11) CONTACT RETENTION FORCE: 2 LBS MIN.
- 12) DURABILITY: 250 CYCLES MIN.
- 13) VIBRATION: NO INTERRUPTIONS < 1u SEC.
- 14) OPERATING TEMPERATURE: -55°C TO +105°C (-67°F TO +221°F)

CUSTOMER INFORMATION DRAWING

ITEM NO.	PART OR IDENTIFICATION NO.	MONUMENTATION OR DESCRIPTION	QTY REQ'D
PARTS LIST			
Amphenol			
TITLE 14 CONTACT CABLE RECEPTACLE, ASSY WITH SPRING LATCH & MODIFIED BACK SHELL(MINI, RIBBON)			
DRAWING FILE: YDRARHW0507A05760140.DWG		SIZE	DRAWING NO.
SCALE NONE		A3	C57-60140
SHEET 2 OF 2		REV. 2	