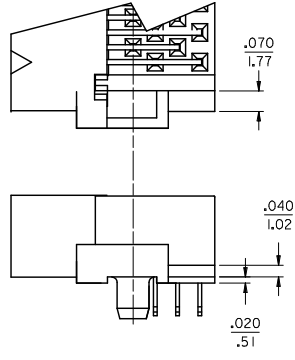
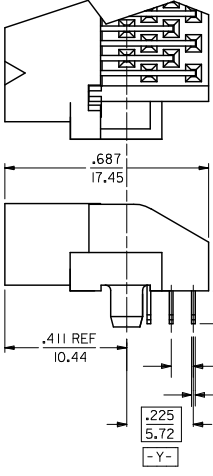
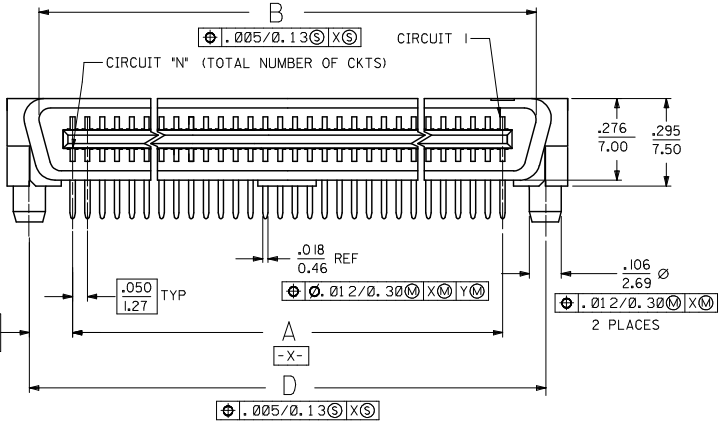
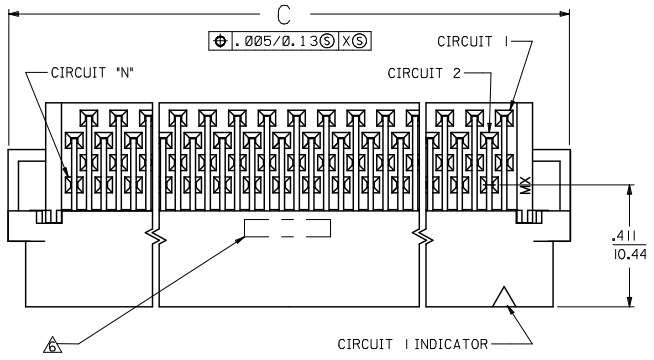


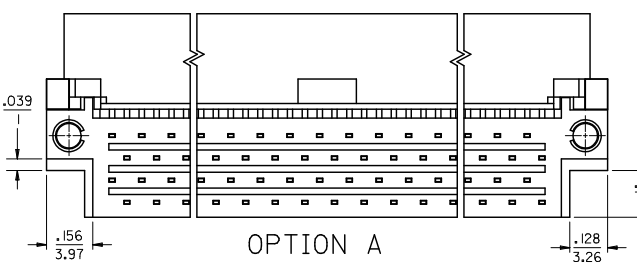
13 12 11 10 9 8 7 6 5 4 3 2 1

- NOTES:
- MATERIAL: HOUSING: LIQUID CRYSTAL POLYMER (LCP), GLAS-FILLED, UL 94V-0, COLOR: BLASK
TERMINALS: BRASS
 - FINISH: TERMINAL: 0.76 MICROMETERS/30 MICROINCHES MINIMUM SELECTIVE GOLD IN CONTACT AREA, 1.27 MICROMETERS/50 MICROINCHES MINIMUM SELECTIVE TIN IN THE PC TAIL AREA, NICKEL UNDERPLATE OVERALL
 - ASSEMBLY MATES WITH MOLEX P/N SDA-71660-****
 - CONFORMS TO PRODUCT SPEC: PS-71660
- RECOMMENDED PC BOARD THICKNESS IS .062/1.60
FOUR DIGIT DATE CODE (WK.YR) EXAMPLE 26 96 LOCATED IN AREA SHOWN
TOOLING STATUS: "X" INDICATES NO TOOLING AVAILABLE
CONTACT FACTORY FOR FURTHER INFORMATION



END DETAIL OPTION A (BOTH ENDS)

END DETAIL OPTION B (BOTH ENDS)



OPTION A

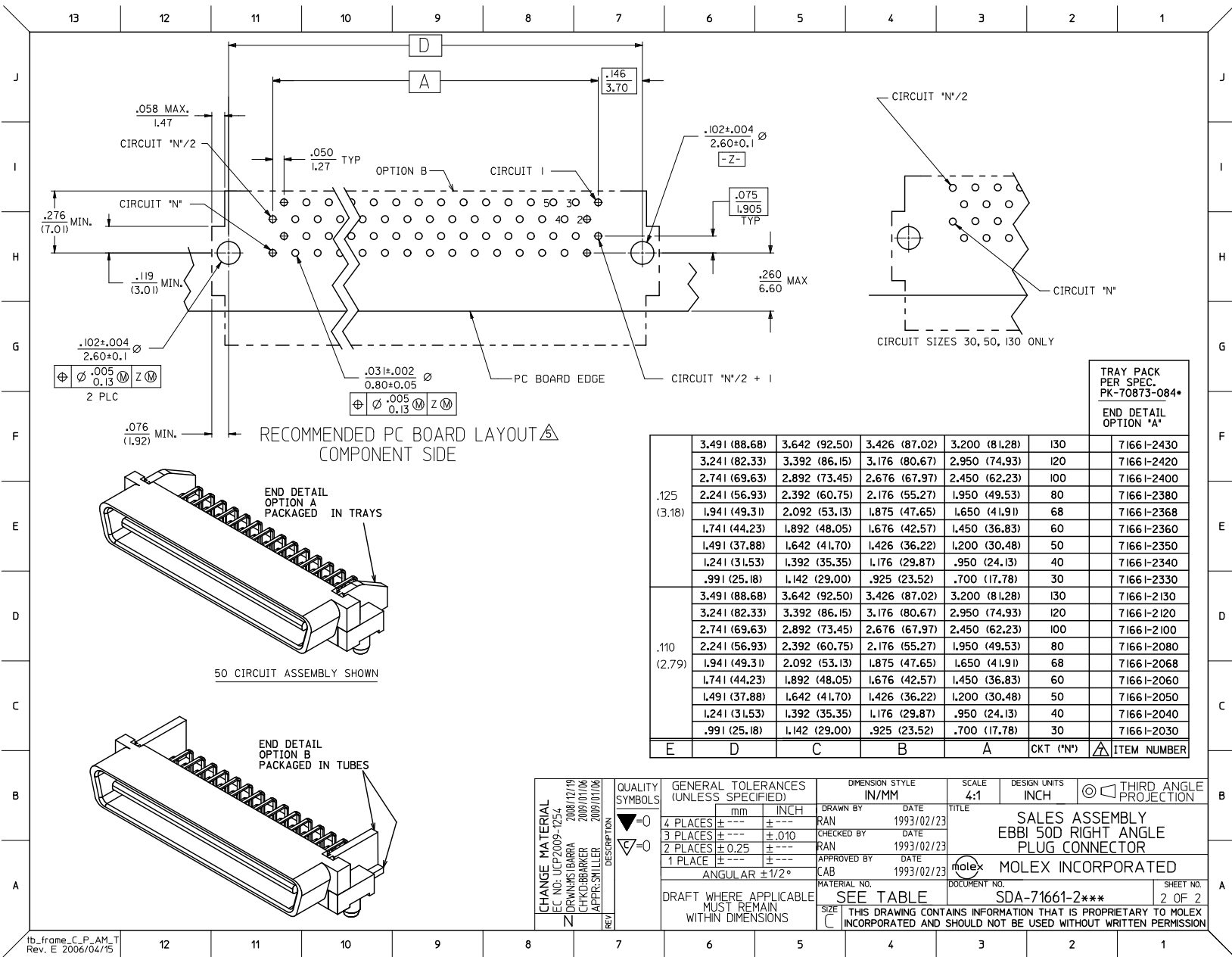
CHANGE MATERIAL	2008/12/19	DRINKS BARRA
EC NO.	2009/01/06	CHROBARKER
DESCRIPTION	2009/01/06	APPR: SHILLER
REV		

QUALITY SYMBOLS	GENERAL TOLERANCES (UNLESS SPECIFIED)	
	mm	INCH
▽=0	4 PLACES ±---	±---
▽=0	3 PLACES ±---	±.010
	2 PLACES ±	±.25
	1 PLACE ±---	±---
	ANGULAR ±1/2°	

DIMENSION STYLE		SCALE	DESIGN UNITS	THIRD ANGLE PROJECTION
IN/MM		4:1	INCH	☐
DRAWN BY	DATE	TITLE		
RAN	1993/02/23	SALES ASSEMBLY		
CHECKED BY	DATE	EBBI 50D RIGHT ANGLE		
RAN	1993/02/23	PLUG CONNECTOR		
APPROVED BY	DATE	MOLEX INCORPORATED		
CAB	1993/02/23	MATERIAL NO. SDA-71661-2***		
MATERIAL NO.		DOCUMENT NO.	SHEET NO.	
SEE TABLE			1 OF 2	

DRAFT WHERE APPLICABLE MUST REMAIN WITHIN DIMENSIONS			
THIS DRAWING CONTAINS INFORMATION THAT IS PROPRIETARY TO MOLEX INCORPORATED AND SHOULD NOT BE USED WITHOUT WRITTEN PERMISSION			

12 11 10 9 8 7 6 5 4 3 2 1



CHANGE MATERIAL EC NO. UCP2009-1254 2008/12/19 DRAWN BY IBARRA 2009/01/06 CHKD:BARBER APPR:SMILLER 2009/01/06	QUALITY SYMBOLS ▽=0 ▽=0	GENERAL TOLERANCES (UNLESS SPECIFIED)		DIMENSION STYLE IN/MM		SCALE 4:1	DESIGN UNITS INCH	THIRD ANGLE PROJECTION	
		4 PLACES ±--- ±--- 3 PLACES ±--- ±.010 2 PLACES ±0.25 ±--- 1 PLACE ±--- ±---	mm INCH DRAWN BY RAN DATE 1993/02/23 CHECKED BY RAN DATE 1993/02/23 APPROVED BY CAB DATE 1993/02/23	TITLE SALES ASSEMBLY EBBI 50D RIGHT ANGLE PLUG CONNECTOR		MATERIAL NO. SDA-71661-2*** DOCUMENT NO.		SHEET NO. 2 OF 2	
		DRAFT WHERE APPLICABLE MUST REMAIN WITHIN DIMENSIONS		SEE TABLE		THIS DRAWING CONTAINS INFORMATION THAT IS PROPRIETARY TO MOLEX INCORPORATED AND SHOULD NOT BE USED WITHOUT WRITTEN PERMISSION			
		ANGULAR ±1/2°		MOLEX MOLEX INCORPORATED					