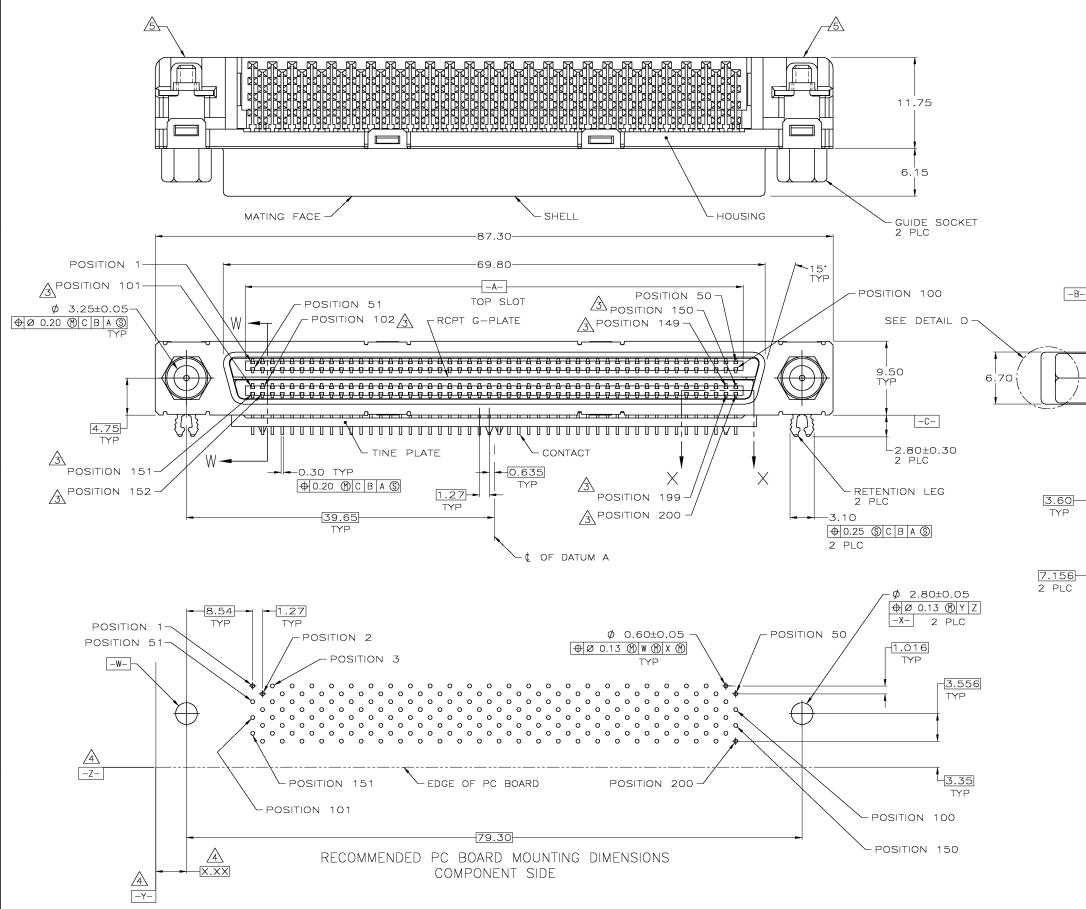
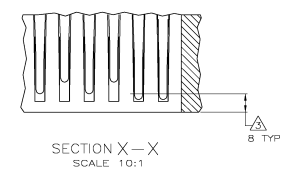
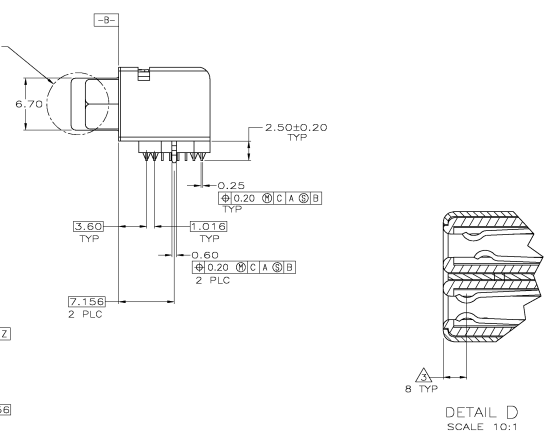


REV	DATE	DESCRIPTION	BY	CHK	APP
00		RELEASED PER EC 0513-0440-04			



- △ HOUSING AND TINE PLATE: POLYESTER, NATURAL.  
 CONTACTS: PHOSPHOR BRONZE.  
 SHELL: CARBON STEEL.  
 RCPT G-PLATE: STAINLESS STEEL.  
 GUIDE SOCKET AND RETENTION LEG: BRASS.
- △ SHELL: 3.00µm MIN NICKEL OVER 1.30µm MIN COPPER.  
 RETENTION LEG: 2.00µm MIN TIN OVER 1.00µm MIN NICKEL.  
 GUIDE SOCKET: NICKEL OVER COPPER.  
 CONTACTS: 0.76µm MIN GOLD FOR A LENGTH OF 1.10 MIN FROM MATING END,  
 2.54 MIN TIN FOR A LENGTH OF 2.60 MIN FROM OPPOSITE END,  
 BOTH OVER 1.27µm MIN NICKEL.
- △ CONTACTS 101,102,149,150,151,152,199, AND 200 ARE SEQUENCED  
 TOWARD MATING FACE AS SHOWN, ALL OTHERS ARE SEQUENCED IN A  
 STAGGERED PATTERN.
- △ DATUMS AND BASIC DIMENSIONS ESTABLISHED BY CUSTOMER.
- △ DATE CODE MAY BE MARKED ON EITHER END.



DIMENSIONS		SYMBOLS		MATERIALS		REVISIONS		PART NUMBER	
mm		mm		mm		mm		mm	
0.125	0.005	0.125	0.005	0.125	0.005	0.125	0.005	0.125	0.005
0.25	0.010	0.25	0.010	0.25	0.010	0.25	0.010	0.25	0.010
0.50	0.020	0.50	0.020	0.50	0.020	0.50	0.020	0.50	0.020
1.00	0.040	1.00	0.040	1.00	0.040	1.00	0.040	1.00	0.040
2.00	0.080	2.00	0.080	2.00	0.080	2.00	0.080	2.00	0.080
5.00	0.200	5.00	0.200	5.00	0.200	5.00	0.200	5.00	0.200
10.00	0.400	10.00	0.400	10.00	0.400	10.00	0.400	10.00	0.400
20.00	0.800	20.00	0.800	20.00	0.800	20.00	0.800	20.00	0.800
50.00	2.000	50.00	2.000	50.00	2.000	50.00	2.000	50.00	2.000
100.00	4.000	100.00	4.000	100.00	4.000	100.00	4.000	100.00	4.000
200.00	8.000	200.00	8.000	200.00	8.000	200.00	8.000	200.00	8.000
500.00	20.000	500.00	20.000	500.00	20.000	500.00	20.000	500.00	20.000
1000.00	40.000	1000.00	40.000	1000.00	40.000	1000.00	40.000	1000.00	40.000
2000.00	80.000	2000.00	80.000	2000.00	80.000	2000.00	80.000	2000.00	80.000
5000.00	200.000	5000.00	200.000	5000.00	200.000	5000.00	200.000	5000.00	200.000
10000.00	400.000	10000.00	400.000	10000.00	400.000	10000.00	400.000	10000.00	400.000
20000.00	800.000	20000.00	800.000	20000.00	800.000	20000.00	800.000	20000.00	800.000
50000.00	2000.000	50000.00	2000.000	50000.00	2000.000	50000.00	2000.000	50000.00	2000.000
100000.00	4000.000	100000.00	4000.000	100000.00	4000.000	100000.00	4000.000	100000.00	4000.000
200000.00	8000.000	200000.00	8000.000	200000.00	8000.000	200000.00	8000.000	200000.00	8000.000
500000.00	20000.000	500000.00	20000.000	500000.00	20000.000	500000.00	20000.000	500000.00	20000.000
1000000.00	40000.000	1000000.00	40000.000	1000000.00	40000.000	1000000.00	40000.000	1000000.00	40000.000
2000000.00	80000.000	2000000.00	80000.000	2000000.00	80000.000	2000000.00	80000.000	2000000.00	80000.000
5000000.00	200000.000	5000000.00	200000.000	5000000.00	200000.000	5000000.00	200000.000	5000000.00	200000.000
10000000.00	400000.000	10000000.00	400000.000	10000000.00	400000.000	10000000.00	400000.000	10000000.00	400000.000
20000000.00	800000.000	20000000.00	800000.000	20000000.00	800000.000	20000000.00	800000.000	20000000.00	800000.000
50000000.00	2000000.000	50000000.00	2000000.000	50000000.00	2000000.000	50000000.00	2000000.000	50000000.00	2000000.000
100000000.00	4000000.000	100000000.00	4000000.000	100000000.00	4000000.000	100000000.00	4000000.000	100000000.00	4000000.000
200000000.00	8000000.000	200000000.00	8000000.000	200000000.00	8000000.000	200000000.00	8000000.000	200000000.00	8000000.000
500000000.00	20000000.000	500000000.00	20000000.000	500000000.00	20000000.000	500000000.00	20000000.000	500000000.00	20000000.000
1000000000.00	40000000.000	1000000000.00	40000000.000	1000000000.00	40000000.000	1000000000.00	40000000.000	1000000000.00	40000000.000
2000000000.00	80000000.000	2000000000.00	80000000.000	2000000000.00	80000000.000	2000000000.00	80000000.000	2000000000.00	80000000.000
5000000000.00	200000000.000	5000000000.00	200000000.000	5000000000.00	200000000.000	5000000000.00	200000000.000	5000000000.00	200000000.000
10000000000.00	400000000.000	10000000000.00	400000000.000	10000000000.00	400000000.000	10000000000.00	400000000.000	10000000000.00	400000000.000
20000000000.00	800000000.000	20000000000.00	800000000.000	20000000000.00	800000000.000	20000000000.00	800000000.000	20000000000.00	800000000.000
50000000000.00	2000000000.000	50000000000.00	2000000000.000	50000000000.00	2000000000.000	50000000000.00	2000000000.000	50000000000.00	2000000000.000
100000000000.00	4000000000.000	100000000000.00	4000000000.000	100000000000.00	4000000000.000	100000000000.00	4000000000.000	100000000000.00	4000000000.000
200000000000.00	8000000000.000	200000000000.00	8000000000.000	200000000000.00	8000000000.000	200000000000.00	8000000000.000	200000000000.00	8000000000.000
500000000000.00	20000000000.000	500000000000.00	20000000000.000	500000000000.00	20000000000.000	500000000000.00	20000000000.000	500000000000.00	20000000000.000
1000000000000.00	40000000000.000	1000000000000.00	40000000000.000	1000000000000.00	40000000000.000	1000000000000.00	40000000000.000	1000000000000.00	40000000000.000
2000000000000.00	80000000000.000	2000000000000.00	80000000000.000	2000000000000.00	80000000000.000	2000000000000.00	80000000000.000	2000000000000.00	80000000000.000
5000000000000.00	200000000000.000	5000000000000.00	200000000000.000	5000000000000.00	200000000000.000	5000000000000.00	200000000000.000	5000000000000.00	200000000000.000
10000000000000.00	400000000000.000	10000000000000.00	400000000000.000	10000000000000.00	400000000000.000	10000000000000.00	400000000000.000	10000000000000.00	400000000000.000
20000000000000.00	800000000000.000	20000000000000.00	800000000000.000	20000000000000.00	800000000000.000	20000000000000.00	800000000000.000	20000000000000.00	800000000000.000
50000000000000.00	2000000000000.000	50000000000000.00	2000000000000.000	50000000000000.00	2000000000000.000	50000000000000.00	2000000000000.000	50000000000000.00	2000000000000.000
100000000000000.00	4000000000000.000	100000000000000.00	4000000000000.000	100000000000000.00	4000000000000.000	100000000000000.00	4000000000000.000	100000000000000.00	4000000000000.000
200000000000000.00	8000000000000.000	200000000000000.00	8000000000000.000	200000000000000.00	8000000000000.000	200000000000000.00	8000000000000.000	200000000000000.00	8000000000000.000
500000000000000.00	20000000000000.000	500000000000000.00	20000000000000.000	500000000000000.00	20000000000000.000	500000000000000.00	20000000000000.000	500000000000000.00	20000000000000.000
1000000000000000.00	40000000000000.000	1000000000000000.00	40000000000000.000	1000000000000000.00	40000000000000.000	1000000000000000.00	40000000000000.000	1000000000000000.00	40000000000000.000
2000000000000000.00	80000000000000.000	2000000000000000.00	80000000000000.000	2000000000000000.00	80000000000000.000	2000000000000000.00	80000000000000.000	2000000000000000.00	80000000000000.000
5000000000000000.00	200000000000000.000	5000000000000000.00	200000000000000.000	5000000000000000.00	200000000000000.000	5000000000000000.00	200000000000000.000	5000000000000000.00	200000000000000.000
10000000000000000.00	400000000000000.000	10000000000000000.00	400000000000000.000	10000000000000000.00	400000000000000.000	10000000000000000.00	400000000000000.000	10000000000000000.00	400000000000000.000
20000000000000000.00	800000000000000.000	20000000000000000.00	800000000000000.000	20000000000000000.00	800000000000000.000	20000000000000000.00	800000000000000.000	20000000000000000.00	800000000000000.000
50000000000000000.00	2000000000000000.000	50000000000000000.00	2000000000000000.000	50000000000000000.00	2000000000000000.000	50000000000000000.00	2000000000000000.000	50000000000000000.00	2000000000000000.000
100000000000000000.00	4000000000000000.000	100000000000000000.00	4000000000000000.000	100000000000000000.00	4000000000000000.000	100000000000000000.00	4000000000000000.000	100000000000000000.00	4000000000000000.000
200000000000000000.00	8000000000000000.000	200000000000000000.00	8000000000000000.000	200000000000000000.00	8000000000000000.000	200000000000000000.00	8000000000000000.000	200000000000000000.00	8000000000000000.000
500000000000000000.00	20000000000000000.000	500000000000000000.00	20000000000000000.000	500000000000000000.00	20000000000000000.000	500000000000000000.00	20000000000000000.000	500000000000000000.00	20000000000000000.000
1000000000000000000.00	40000000000000000.000	1000000000000000000.00	40000000000000000.000	1000000000000000000.00	40000000000000000.000	1000000000000000000.00	400000		