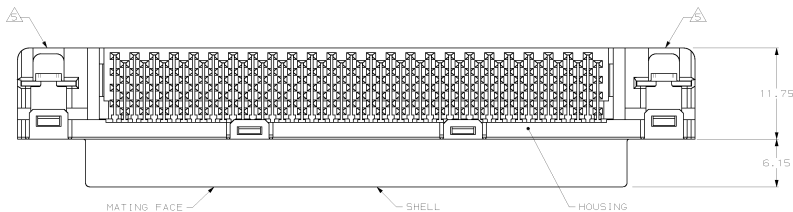
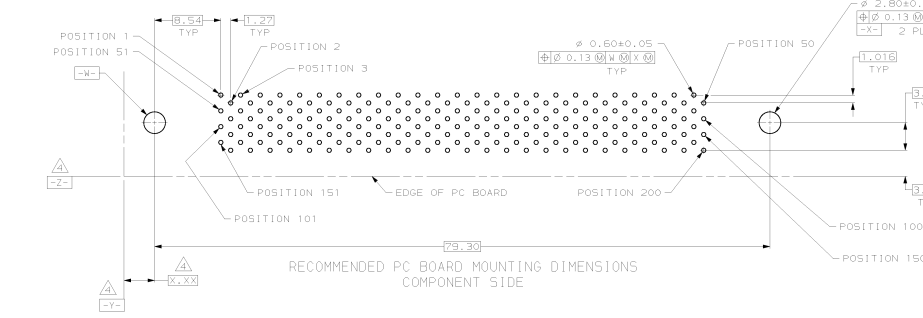
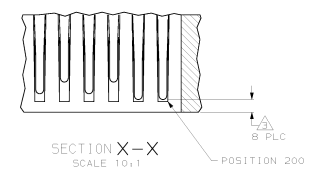
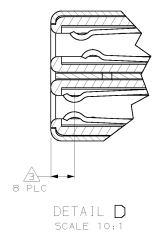
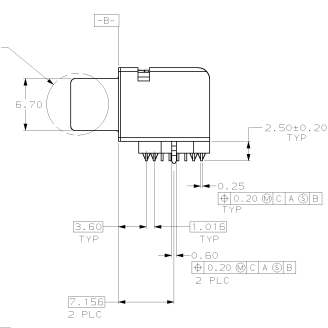
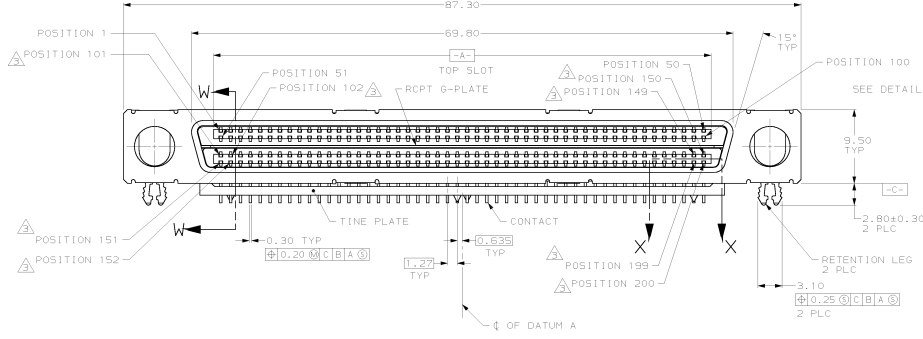


REV	BY	DATE	DESCRIPTION	CHKD	APP'D
0	BD	84	RELEASE PER NPI 154 KAS 98-1898-1		



- △ HOUSING AND TINE PLATE, POLYESTER, NATURAL.  
CONTACTS, PHOSPHOR BRONZE.  
SHELL, CARBON STEEL.  
RCPT G-PLATE, STAINLESS STEEL.  
RETENTION LEG, BRASS.
- △ SHELL, 3.00µm MIN NICKEL OVER 1.30µm MIN COPPER.  
RETENTION LEG: 2.00µm MIN TIN-LEAD OVER 1.00µm MIN NICKEL.  
CONTACTS: 0.76µm MIN GOLD FOR A LENGTH OF 0.90 MIN FROM MATING END,  
2.54 MIN TIN-LEAD FOR A LENGTH OF 2.70 MIN FROM OPPOSITE END,  
BOTH OVER 1.27µm MIN NICKEL.
- △ CONTACTS 101, 102, 149, 150, 151, 152, 199, AND 200 ARE SEQUENCED  
TOWARD MATING FACE AS SHOWN, ALL OTHERS ARE SEQUENCED IN A  
STAGGERED PATTERN.
- △ DATUMS AND BASIC DIMENSIONS ESTABLISHED BY CUSTOMER.
- △ DATE CODE MAY BE MARKED ON EITHER END.



788450-1  
PART NUMBER

THIS DRAWING IS A CONTROLLED DOCUMENT.		REV	DATE	BY	APP'D
REV	DATE	BY	APP'D		
0	2001	BD			

DESIGNED BY	DESIGNED	DATE	BY	APP'D
CHKD	CHKD	DATE	BY	APP'D
APP'D	APP'D	DATE	BY	APP'D

AMP Incorporated Harrisburg, PA 17105-8608	RECEPTACLE ASSEMBLY, 200 POSITION, RIGHT ANGLE, .050, CHAMP™
118 ONE ONE DRAWING NO.	REVISED TO
A1 00778	788450