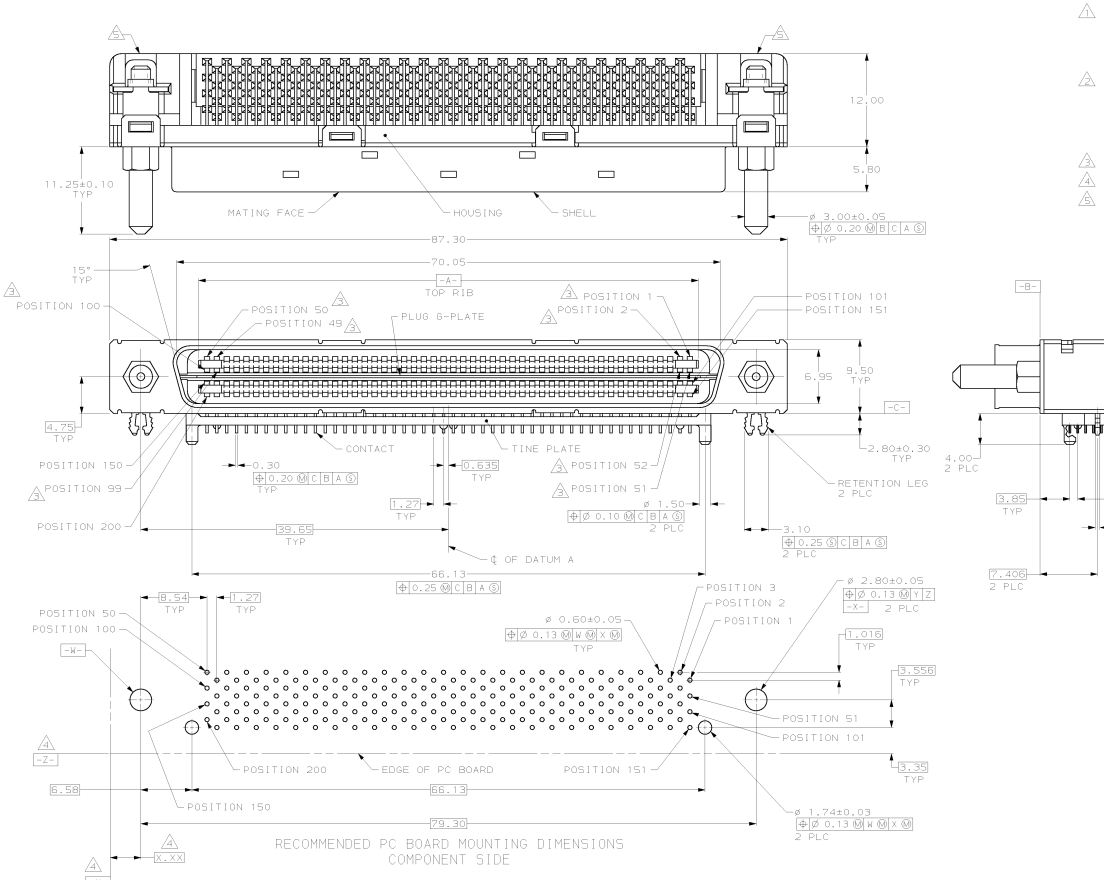
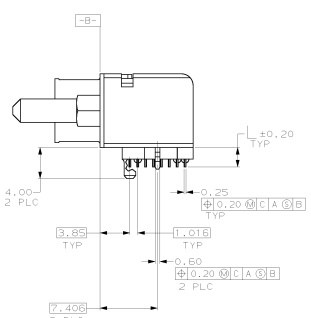


REVOLUTIONS		DATE	BY	APP'D
0	RELEASED PER NPR 9576			
	NAS 96-1988-1-2			
A	REV PER EC 0410-434-97			
B	ADDED -2 PER EC 0640-110-98			



- ▲ HOUSING AND TINE PLATE; POLYESTER, NATURAL.
CONTACTS: COPPER ALLOY.
SHELL: CARBON STEEL.
RETENTION LEG AND GUIDE PIN, BRASS.
PLUG G-PLATE: STAINLESS STEEL.
- ▲ SHELL: 3.00µm MIN NICKEL OVER 1.30µm MIN COPPER.
RETENTION LEG: 2.00µm MIN TIN-LEAD OVER 1.00µm MIN NICKEL.
GUIDE PIN: 5.00µm MIN NICKEL OVER 6.35µm MIN COPPER.
CONTACTS: 0.75µm MIN GOLD FOR A LENGTH OF 3.00 MIN FROM MATING END, 2.54 µm MIN TIN-LEAD FOR A LENGTH OF 2.80 MIN FROM OPPOSITE END, BOTH OVER 1.27µm MIN NICKEL.
- ▲ CONTACTS 1, 2, 49, 50, 51, 52, 99 AND 100, ARE SEQUENCED TOWARDS MATING FACE.
- ▲ DATUMS AND BASIC DIMENSIONS ESTABLISHED BY CUSTOMER.
- ▲ DATE CODE MAY BE MARKED ON EITHER END.



RECOMMENDED PC BOARD MOUNTING DIMENSIONS COMPONENT SIDE

L	PART NUMBER
3.18	787855-2
2.50	787855-1

THIS DRAWING IS A CONTROLLED DOCUMENT.		DATE	25 02 98	
DRAWN BY		DESIGNED BY	HECKEL	DATE
CHECKED BY		CHECKED BY	HECKEL	DATE
APPROVED BY		APPROVED BY		DATE
MATERIAL		REVISION	DATE	
PART		REV	DATE	
CUSTOMER DRAWING		DATE		

AMP AMP Incorporated
Harrisburg, PA 17105-8608

PLUG ASSEMBLY, RIGHT ANGLE .050 CHAMP™

REV: 010 USE DATE: 04/11/98
A1100779 C-787855