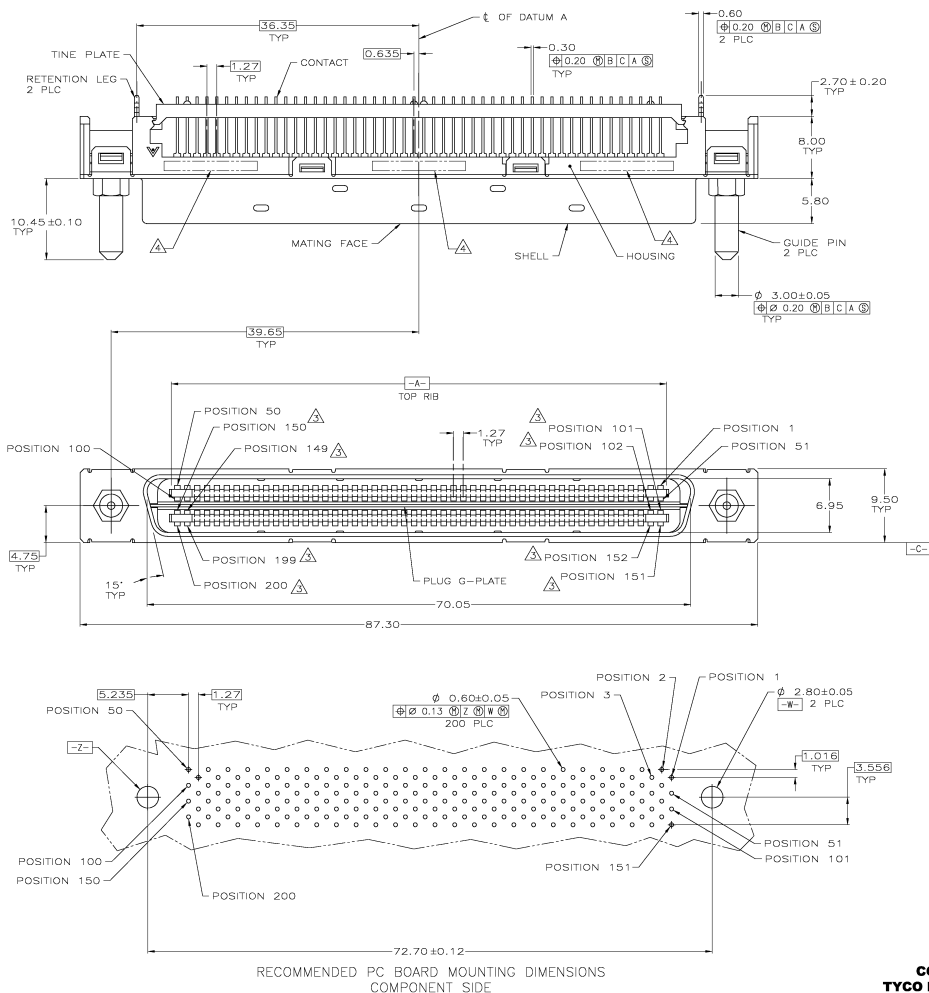


| REV | DATE | DESCRIPTION | BY | CHK | APP |
|-----|------|------------------------------|----|-----|-----|
| 00 | | RELEASED PER EC 0513-0440-04 | | | |

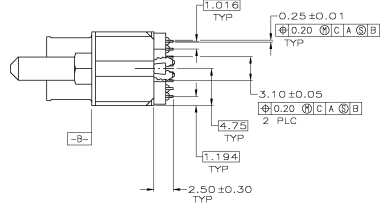


▲ HOUSING AND TINE PLATE: POLYESTER, NATURAL.
 CONTACT: COPPER ALLOY.
 SHELL: CARBON STEEL.
 RETENTION LEG AND GUIDE PIN: BRASS.
 PLUG G-PLATE: STAINLESS STEEL.

▲ SHELL: 3.00µm MIN NICKEL OVER 1.30µm MIN COPPER.
 RETENTION LEG: 2.00µm MIN TIN OVER 1.00µm MIN NICKEL.
 GUIDE PIN: NICKEL OVER COPPER.
 CONTACTS: 0.76µm MIN GOLD FOR A LENGTH OF 3.00 MIN FROM MATING END,
 2.54µm MIN TIN FOR A LENGTH OF 2.80 MIN FROM OPPOSITE END,
 BOTH OVER 1.27µm MIN NICKEL.

▲ CONTACTS 101,102,149,150,151,152,199, AND 200, ARE SEQUENCED TOWARDS MATING FACE.

▲ DATE CODE MAY BE MARKED ON THIS SIDE, IN ONE OF THE LOCATIONS SHOWN.



5787887-1
 PART NUMBER

| | | | | | | |
|---------------------------------------|--|-----|----------|----|-----|-----|
| THIS DRAWING IS A CONTROLLED DOCUMENT | | REV | DATE | BY | CHK | APP |
| UNCLASSIFIED | | 0 | 12-07-04 | | | |
| UNLESS INDICATED OTHERWISE | | 1 | 05-04 | | | |
| ALL RIGHTS RESERVED | | 2 | 12-07-04 | | | |
| UNLESS INDICATED OTHERWISE | | 3 | 12-07-04 | | | |
| ALL RIGHTS RESERVED | | 4 | 12-07-04 | | | |
| UNLESS INDICATED OTHERWISE | | 5 | 12-07-04 | | | |
| ALL RIGHTS RESERVED | | 6 | 12-07-04 | | | |
| UNLESS INDICATED OTHERWISE | | 7 | 12-07-04 | | | |
| ALL RIGHTS RESERVED | | 8 | 12-07-04 | | | |
| UNLESS INDICATED OTHERWISE | | 9 | 12-07-04 | | | |
| ALL RIGHTS RESERVED | | 10 | 12-07-04 | | | |
| UNLESS INDICATED OTHERWISE | | 11 | 12-07-04 | | | |
| ALL RIGHTS RESERVED | | 12 | 12-07-04 | | | |
| UNLESS INDICATED OTHERWISE | | 13 | 12-07-04 | | | |
| ALL RIGHTS RESERVED | | 14 | 12-07-04 | | | |
| UNLESS INDICATED OTHERWISE | | 15 | 12-07-04 | | | |
| ALL RIGHTS RESERVED | | 16 | 12-07-04 | | | |
| UNLESS INDICATED OTHERWISE | | 17 | 12-07-04 | | | |
| ALL RIGHTS RESERVED | | 18 | 12-07-04 | | | |
| UNLESS INDICATED OTHERWISE | | 19 | 12-07-04 | | | |
| ALL RIGHTS RESERVED | | 20 | 12-07-04 | | | |
| UNLESS INDICATED OTHERWISE | | 21 | 12-07-04 | | | |
| ALL RIGHTS RESERVED | | 22 | 12-07-04 | | | |
| UNLESS INDICATED OTHERWISE | | 23 | 12-07-04 | | | |
| ALL RIGHTS RESERVED | | 24 | 12-07-04 | | | |
| UNLESS INDICATED OTHERWISE | | 25 | 12-07-04 | | | |
| ALL RIGHTS RESERVED | | 26 | 12-07-04 | | | |
| UNLESS INDICATED OTHERWISE | | 27 | 12-07-04 | | | |
| ALL RIGHTS RESERVED | | 28 | 12-07-04 | | | |
| UNLESS INDICATED OTHERWISE | | 29 | 12-07-04 | | | |
| ALL RIGHTS RESERVED | | 30 | 12-07-04 | | | |
| UNLESS INDICATED OTHERWISE | | 31 | 12-07-04 | | | |
| ALL RIGHTS RESERVED | | 32 | 12-07-04 | | | |
| UNLESS INDICATED OTHERWISE | | 33 | 12-07-04 | | | |
| ALL RIGHTS RESERVED | | 34 | 12-07-04 | | | |
| UNLESS INDICATED OTHERWISE | | 35 | 12-07-04 | | | |
| ALL RIGHTS RESERVED | | 36 | 12-07-04 | | | |
| UNLESS INDICATED OTHERWISE | | 37 | 12-07-04 | | | |
| ALL RIGHTS RESERVED | | 38 | 12-07-04 | | | |
| UNLESS INDICATED OTHERWISE | | 39 | 12-07-04 | | | |
| ALL RIGHTS RESERVED | | 40 | 12-07-04 | | | |
| UNLESS INDICATED OTHERWISE | | 41 | 12-07-04 | | | |
| ALL RIGHTS RESERVED | | 42 | 12-07-04 | | | |
| UNLESS INDICATED OTHERWISE | | 43 | 12-07-04 | | | |
| ALL RIGHTS RESERVED | | 44 | 12-07-04 | | | |
| UNLESS INDICATED OTHERWISE | | 45 | 12-07-04 | | | |
| ALL RIGHTS RESERVED | | 46 | 12-07-04 | | | |
| UNLESS INDICATED OTHERWISE | | 47 | 12-07-04 | | | |
| ALL RIGHTS RESERVED | | 48 | 12-07-04 | | | |
| UNLESS INDICATED OTHERWISE | | 49 | 12-07-04 | | | |
| ALL RIGHTS RESERVED | | 50 | 12-07-04 | | | |
| UNLESS INDICATED OTHERWISE | | 51 | 12-07-04 | | | |
| ALL RIGHTS RESERVED | | 52 | 12-07-04 | | | |
| UNLESS INDICATED OTHERWISE | | 53 | 12-07-04 | | | |
| ALL RIGHTS RESERVED | | 54 | 12-07-04 | | | |
| UNLESS INDICATED OTHERWISE | | 55 | 12-07-04 | | | |
| ALL RIGHTS RESERVED | | 56 | 12-07-04 | | | |
| UNLESS INDICATED OTHERWISE | | 57 | 12-07-04 | | | |
| ALL RIGHTS RESERVED | | 58 | 12-07-04 | | | |
| UNLESS INDICATED OTHERWISE | | 59 | 12-07-04 | | | |
| ALL RIGHTS RESERVED | | 60 | 12-07-04 | | | |
| UNLESS INDICATED OTHERWISE | | 61 | 12-07-04 | | | |
| ALL RIGHTS RESERVED | | 62 | 12-07-04 | | | |
| UNLESS INDICATED OTHERWISE | | 63 | 12-07-04 | | | |
| ALL RIGHTS RESERVED | | 64 | 12-07-04 | | | |
| UNLESS INDICATED OTHERWISE | | 65 | 12-07-04 | | | |
| ALL RIGHTS RESERVED | | 66 | 12-07-04 | | | |
| UNLESS INDICATED OTHERWISE | | 67 | 12-07-04 | | | |
| ALL RIGHTS RESERVED | | 68 | 12-07-04 | | | |
| UNLESS INDICATED OTHERWISE | | 69 | 12-07-04 | | | |
| ALL RIGHTS RESERVED | | 70 | 12-07-04 | | | |
| UNLESS INDICATED OTHERWISE | | 71 | 12-07-04 | | | |
| ALL RIGHTS RESERVED | | 72 | 12-07-04 | | | |
| UNLESS INDICATED OTHERWISE | | 73 | 12-07-04 | | | |
| ALL RIGHTS RESERVED | | 74 | 12-07-04 | | | |
| UNLESS INDICATED OTHERWISE | | 75 | 12-07-04 | | | |
| ALL RIGHTS RESERVED | | 76 | 12-07-04 | | | |
| UNLESS INDICATED OTHERWISE | | 77 | 12-07-04 | | | |
| ALL RIGHTS RESERVED | | 78 | 12-07-04 | | | |
| UNLESS INDICATED OTHERWISE | | 79 | 12-07-04 | | | |
| ALL RIGHTS RESERVED | | 80 | 12-07-04 | | | |
| UNLESS INDICATED OTHERWISE | | 81 | 12-07-04 | | | |
| ALL RIGHTS RESERVED | | 82 | 12-07-04 | | | |
| UNLESS INDICATED OTHERWISE | | 83 | 12-07-04 | | | |
| ALL RIGHTS RESERVED | | 84 | 12-07-04 | | | |
| UNLESS INDICATED OTHERWISE | | 85 | 12-07-04 | | | |
| ALL RIGHTS RESERVED | | 86 | 12-07-04 | | | |
| UNLESS INDICATED OTHERWISE | | 87 | 12-07-04 | | | |
| ALL RIGHTS RESERVED | | 88 | 12-07-04 | | | |
| UNLESS INDICATED OTHERWISE | | 89 | 12-07-04 | | | |
| ALL RIGHTS RESERVED | | 90 | 12-07-04 | | | |
| UNLESS INDICATED OTHERWISE | | 91 | 12-07-04 | | | |
| ALL RIGHTS RESERVED | | 92 | 12-07-04 | | | |
| UNLESS INDICATED OTHERWISE | | 93 | 12-07-04 | | | |
| ALL RIGHTS RESERVED | | 94 | 12-07-04 | | | |
| UNLESS INDICATED OTHERWISE | | 95 | 12-07-04 | | | |
| ALL RIGHTS RESERVED | | 96 | 12-07-04 | | | |
| UNLESS INDICATED OTHERWISE | | 97 | 12-07-04 | | | |
| ALL RIGHTS RESERVED | | 98 | 12-07-04 | | | |
| UNLESS INDICATED OTHERWISE | | 99 | 12-07-04 | | | |
| ALL RIGHTS RESERVED | | 100 | 12-07-04 | | | |

**COPYRIGHT 2005
 TYCO ELECTRONICS CORP
 ALL RIGHTS RESERVED**