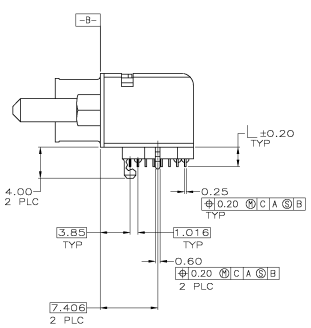
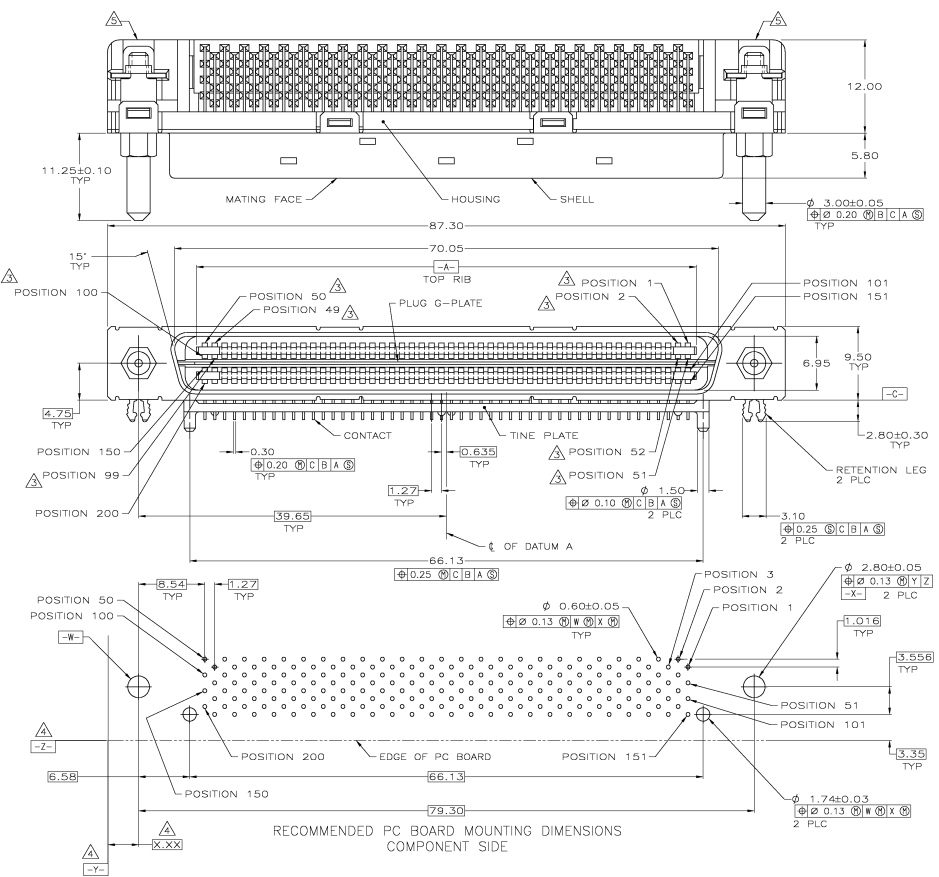


THE DRAWING IS UNAPPROVED
 UNLESS THE CUSTOMER SPECIFICALLY REQUESTS APPROVAL
 ALL RIGHTS RESERVED

REV	DATE	DESCRIPTION	BY	CHK	APP
00					
0		RELEASED PER EC 0513-0440-04			JG

- △ HOUSING AND TINE PLATE: POLYESTER, NATURAL.
 CONTACTS: COPPER ALLOY.
 SHELL: CARBON STEEL.
 RETENTION LEG AND GUIDE PIN: BRASS.
 PLUG G-PLATE: STAINLESS STEEL.
- △ SHELL: 3.00µm MIN NICKEL OVER 1.30µm MIN COPPER.
 RETENTION LEG: 2.00µm MIN TIN OVER 1.00µm MIN NICKEL.
 GUIDE PIN: 5.08µm MIN NICKEL OVER 0.35µm MIN COPPER.
 CONTACTS: 0.76µm MIN GOLD FOR A LENGTH OF 3.00 MIN FROM MATING END,
 2.54 µm MIN TIN FOR A LENGTH OF 2.80 MIN FROM OPPOSITE END,
 BOTH OVER 1.27µm MIN NICKEL.
- △ CONTACTS 1,2,49,50,51,52,99 AND 100, ARE SEQUENCED TOWARDS MATING FACE.
- △ DATUMS AND BASIC DIMENSIONS ESTABLISHED BY CUSTOMER.
- △ DATE CODE MAY BE MARKED ON EITHER END.



3.18	5787855-2
2.50	5787855-1
L	PART NUMBER

THIS DRAWING IS A CONTROLLED DOCUMENT.

DRAWING NO: 5787855
 REV: 00
 DATE: 12-07-94 BY: AW
 CHECKED: WJS
 APPROVED: WJS
 DATE: 12-07-94
 DRAWN: WJS
 DATE: 12-07-94

CUSTOMER DRAWING
 TITLE: PLUG ASSEMBLY, RIGHT ANGLE, .050 CHAMP
 PART NO: 5787855
 QUANTITY: 1
 SHEET: 1 OF 1