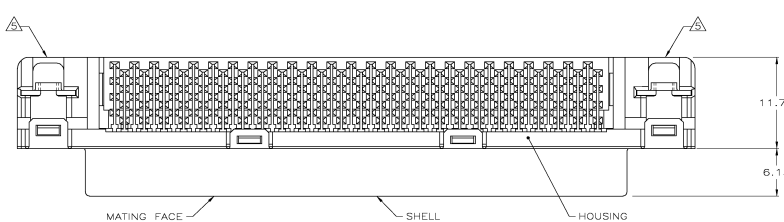
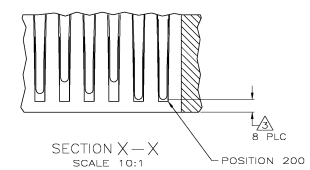
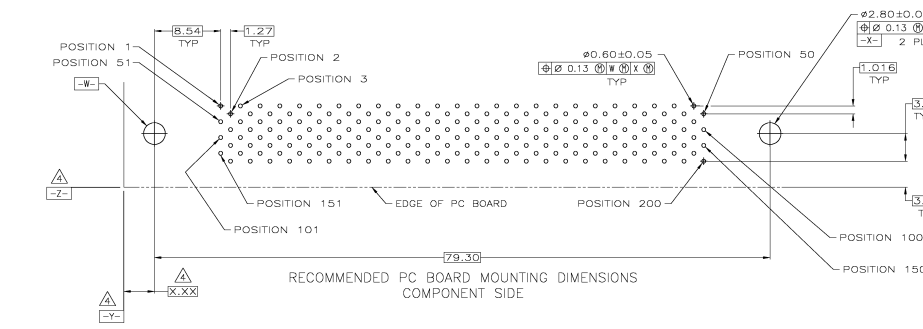
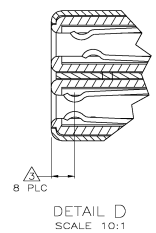
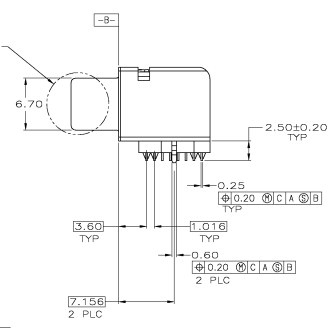
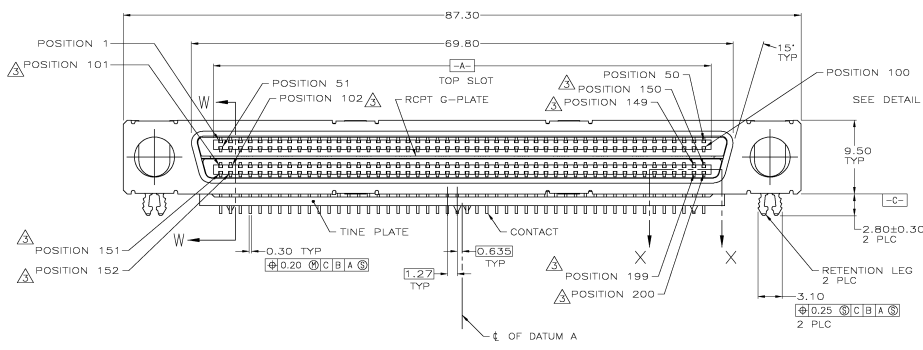


REV	DATE	DESCRIPTION	BY	CHK	APP
00					
0		RELEASED PER EC 0513-0440-04			



- △ HOUSING AND TINE PLATE: POLYESTER, NATURAL.
 CONTACTS: PHOSPHOR BRONZE.
 SHELL: CARBON STEEL.
 RCPT G-PLATE: STAINLESS STEEL.
 RETENTION LEG: BRASS.
- △ SHELL: 3.00µm MIN NICKEL OVER 1.30µm MIN COPPER.
 RETENTION LEG: 2.00µm MIN TIN OVER 1.00µm MIN NICKEL.
 CONTACTS: 0.76µm MIN GOLD FOR A LENGTH OF 0.90 MIN FROM MATING END,
 2.54 MIN TIN FOR A LENGTH OF 2.70 MIN FROM OPPOSITE END,
 BOTH OVER 1.27µm MIN NICKEL.
- △ CONTACTS 101,102,149,150,151,152,199, AND 200 ARE SEQUENCED
 TOWARD MATING FACE AS SHOWN, ALL OTHERS ARE SEQUENCED IN A
 STAGGERED PATTERN.
- △ DATUMS AND BASIC DIMENSIONS ESTABLISHED BY CUSTOMER.
- △ DATE CODE MAY BE MARKED ON EITHER END.



**COPYRIGHT 2005
 TYCO ELECTRONICS CORP
 ALL RIGHTS RESERVED**

THIS DRAWING IS A CONTROLLED DOCUMENT.		REV	DATE	BY	CHK	APP
REV	DATE	BY	CHK	APP	5788450-1 PART NUMBER	
REV	DATE	BY	CHK	APP	Tyco Electronics Corporation Harrisburg, PA 17105-3608	
REV	DATE	BY	CHK	APP	RECEPTACLE ASSEMBLY, 200 POSITION, RIGHT ANGLE, 050, CHAMP	
REV	DATE	BY	CHK	APP	SEE	DATE CODE
REV	DATE	BY	CHK	APP	A1	00778
REV	DATE	BY	CHK	APP	CUSTOMER DRAWING	