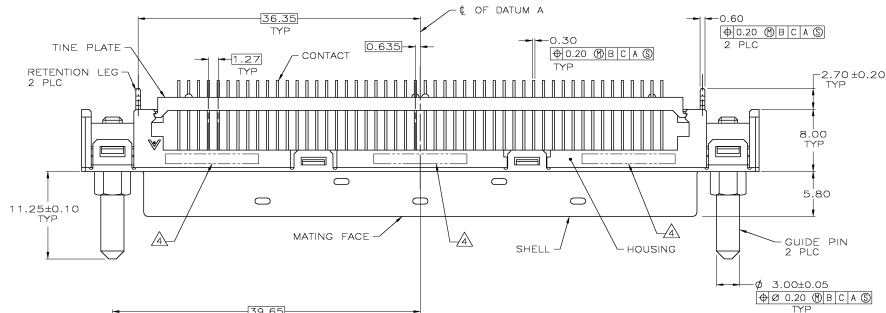
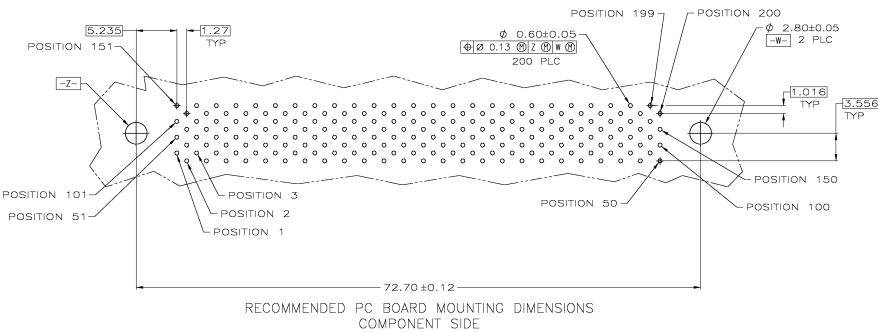
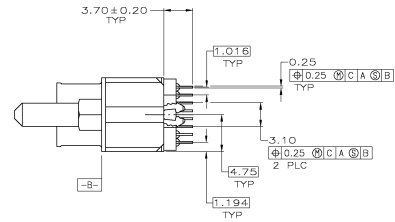
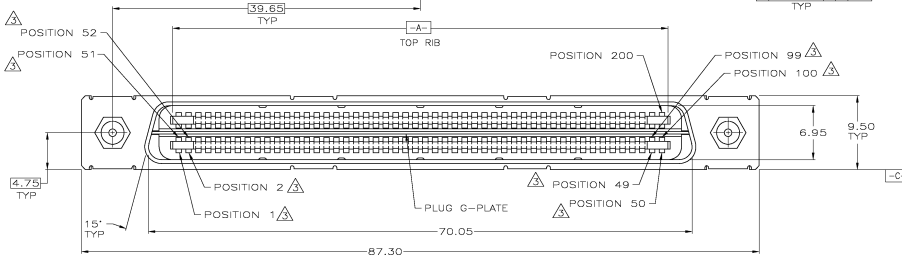


THE DRAWING IS UNCLASSIFIED
UNLESS INDICATED OTHERWISE

REVOLUTIONS		DATE	BY	APP
00	TYP			
0		12-07-04	GA	JG



- △ HOUSING AND TINE PLATE: POLYESTER, NATURAL.
CONTACT: COPPER ALLOY.
SHELL: CARBON STEEL.
RETENTION LEG AND GUIDE PIN: BRASS.
PLUG G-PLATE: STAINLESS STEEL.
- △ SHELL: 3.00µm MIN NICKEL OVER 1.30µm MIN COPPER.
RETENTION LEG: 2.00µm MIN TIN OVER 1.00µm MIN NICKEL.
GUIDE PIN: NICKEL OVER COPPER.
CONTACTS: 0.76µm MIN GOLD FOR A LENGTH OF 3.00 MIN FROM MATING END,
2.54µm MIN TIN FOR A LENGTH OF 3.90 MIN FROM OPPOSITE END,
BOTH OVER 1.27µm MIN NICKEL.
- △ CONTACTS 1,2,49,50,51,52,99, AND 100 ARE SEQUENCED TOWARDS MATING FACE.
- △ DATE CODE MAY BE MARKED ON THIS SIDE, IN ONE OF THE LOCATIONS SHOWN.



RECOMMENDED PC BOARD MOUNTING DIMENSIONS
COMPONENT SIDE

5787886-1
PART NUMBER

**COPYRIGHT 2005
TYCO ELECTRONICS CORP
ALL RIGHTS RESERVED**

THIS DRAWING IS A CONTROLLED DOCUMENT.		DATE: 12-07-04		BY: GA		APP: JG		REVISION: 12-07-04	
UNREVISED: 12-07-04		REVISED: 12-07-04		DATE: 12-07-04		BY: GA		APP: JG	
MATERIAL: PLUG ASSEMBLY		DESCRIPTION: 200 POSITION, VERTICAL, ISO, CHAMP		SEE DATE CODE		DRAWING NO. A1007788		PART NUMBER: 5787886	
MATERIAL: PLUG ASSEMBLY		DESCRIPTION: 200 POSITION, VERTICAL, ISO, CHAMP		SEE DATE CODE		DRAWING NO. A1007788		PART NUMBER: 5787886	
MATERIAL: PLUG ASSEMBLY		DESCRIPTION: 200 POSITION, VERTICAL, ISO, CHAMP		SEE DATE CODE		DRAWING NO. A1007788		PART NUMBER: 5787886	
MATERIAL: PLUG ASSEMBLY		DESCRIPTION: 200 POSITION, VERTICAL, ISO, CHAMP		SEE DATE CODE		DRAWING NO. A1007788		PART NUMBER: 5787886	

1