

4

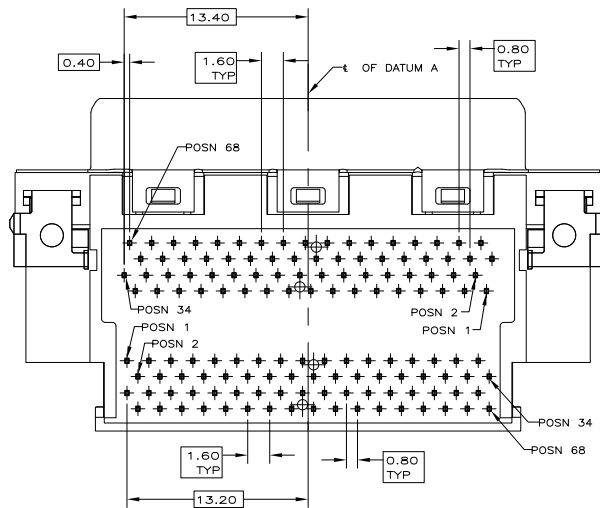
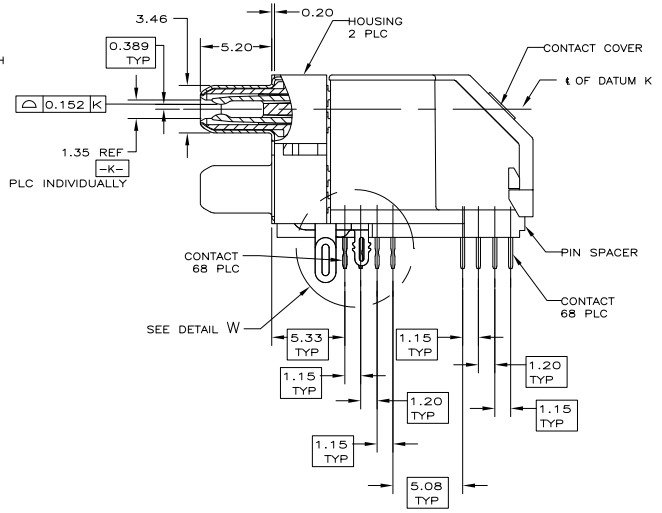
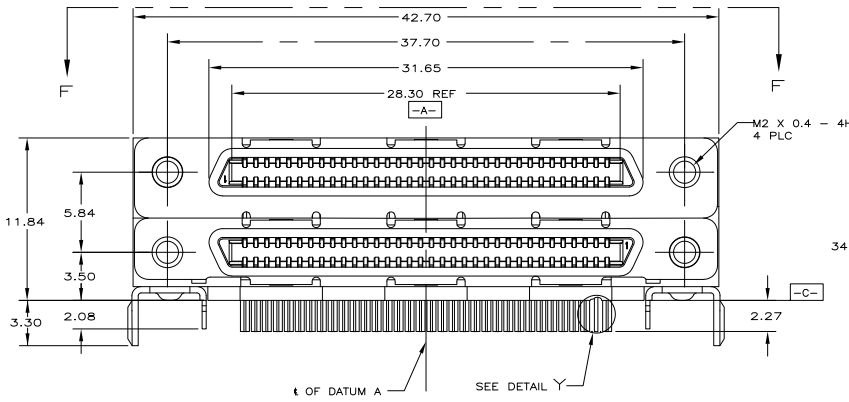
3

2

1

THIS DRAWING IS UNPUBLISHED. RELEASED FOR PUBLICATION BY TYCO ELECTRONICS CORPORATION. ALL INTERNATIONAL RIGHTS RESERVED.

LOC	DIST	REVISIONS					
GP	00	F	LR	DESCRIPTION	DATE	BY	APPD
		B		REVISED PER ECO-09-001695	8FEB2009	ZMR	EDB



**COPYRIGHT 2005
TYCO ELECTRONICS CORP
ALL RIGHTS RESERVED**

THIS DRAWING IS A CONTROLLED DOCUMENT.		DWG: J. ALCORTA 08-02-05 CHK: S. SHUEY 08-02-05 APPD: M. WALKSLEY 08-02-05 NAME: M. WALKSLEY		Tyco Electronics Corporation Harrisburg, PA 17105-3608	
DIMENSIONS: mm TOLERANCES UNLESS OTHERWISE SPECIFIED: 0 PLC ± - 1 PLC ± - 2 PLC ± 0.13 3 PLC ± - 4 PLC ± - ANGLES ± 1°		PRODUCT SPEC: 108-1471-1 APPLICATION SPEC: 114-6057 WEIGHT: - CUSTOMER DRAWING		RECEPTACLE ASSEMBLY, 68 POSITION, STACKED, COVERED CONTACTS, RIGHT ANGLE, CHAMP 0.8mm SIZE: A2 CASE CODE: 00779 DRAWING NO: 6364306 SCALE: 5:1 SHEET: 1 of 3 REV: B	
MATERIAL:		FINISH:		REMARKS: 6364306-1 PART NUMBER	

1471-9 (1/06)

6364306

A

4

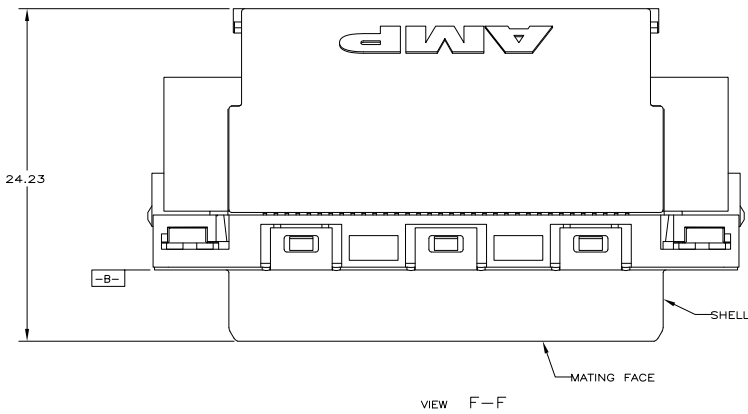
3

2

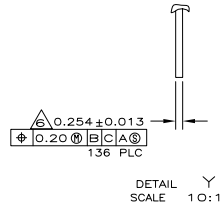
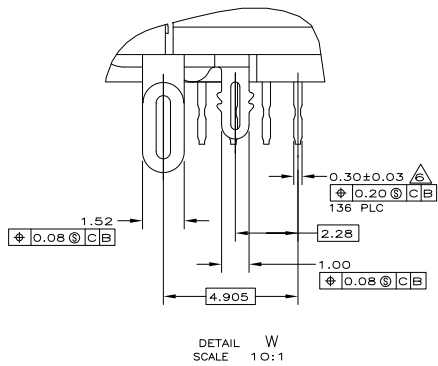
1

THIS DRAWING IS UNPUBLISHED. RELEASED FOR PUBLICATION. 20--
 © COPYRIGHT 20-- BY TYCO ELECTRONICS CORPORATION. ALL RIGHTS RESERVED.

LOC	DIST	REVISIONS				
GP	00	F	LN	DATE	DWN	APPD
				SEE SHEET 1		



- ▲ MOLDED PARTS: THERMOPLASTIC, BLACK, UL 94V-0 RATED.
SHELL: CARBON STEEL.
CONTACTS: PHOSPHOR BRONZE.
BRACKETS: STEEL.
- ▲ SHELL: 5.08µm MIN NICKEL OVER 2.54µm MIN COPPER.
CONTACTS: 0.76µm MIN GOLD ON MATING END, 3.75µm MIN TIN ON SOLDER TAILS, BOTH OVER 1.27µm MIN NICKEL ON ENTIRE CONTACT.
BRACKETS: TIN PLATED.
- ▲ CONTACTS DESIGNED FOR USE ON 1.60±0.15 THICK PC BOARD WITH PLATED THRU MOUNTING HOLES.
- ▲ RECEPTACLE ASSEMBLY DESIGNED FOR USE WITH 1.12±0.08 THICK PANEL.
- ▲ DATUMS AND DIMENSIONS ESTABLISHED BY CUSTOMER.
- ▲ POSITION TOLERANCE APPLIES AT CONTACT TIP ONLY.
- ▲ OFFSET DIMENSION APPLIES TO LOWER FOOTPRINT ONLY.



THIS DRAWING IS A CONTROLLED DOCUMENT.		DWN J. ALCORTA 08-02-05	Tyco Electronics Corporation Harrisburg, PA 17105-3608	
DIMENSIONS: mm		CHK S. SHUEY 08-02-05	Tyco Electronics	
TOLERANCES UNLESS OTHERWISE SPECIFIED:		APPD M. WALKMSLEY 08-02-05	RECEPTACLE ASSEMBLY, 68 POSITION, STACKED, COVERED CONTACTS, RIGHT ANGLE, CHAMP 0.8mm	
0 PLC ±	1 PLC ±	APPLICATION SPEC	SIZE	RESTRICTED TO
2 PLC ±	3 PLC ±	WEIGHT	A2	
4 PLC ±	ANGLES ± 1°	FINISH	00779	
MATERIAL		CUSTOMER DRAWING		SCALE 5:1 SHEET 2 of 3 REV B

AMP 1471-9 REV 31MAR2000

6364306

A

