

4

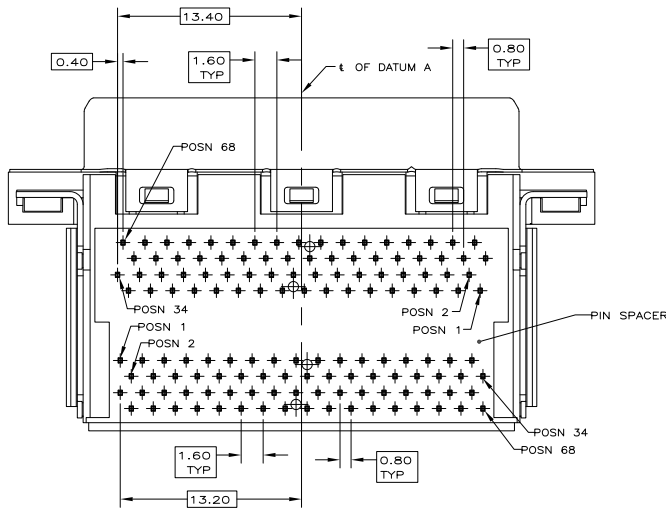
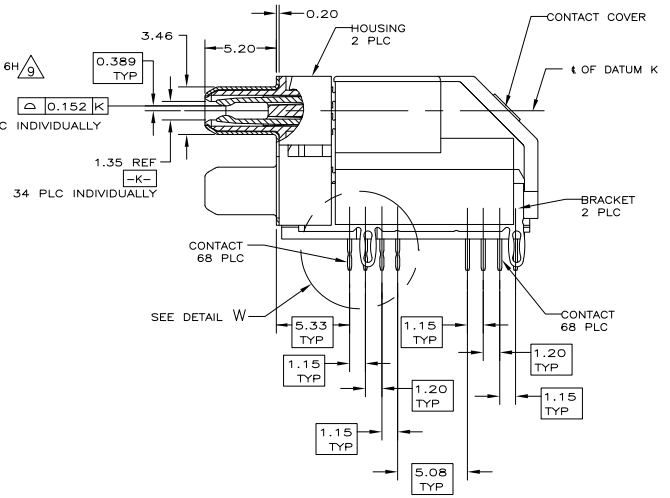
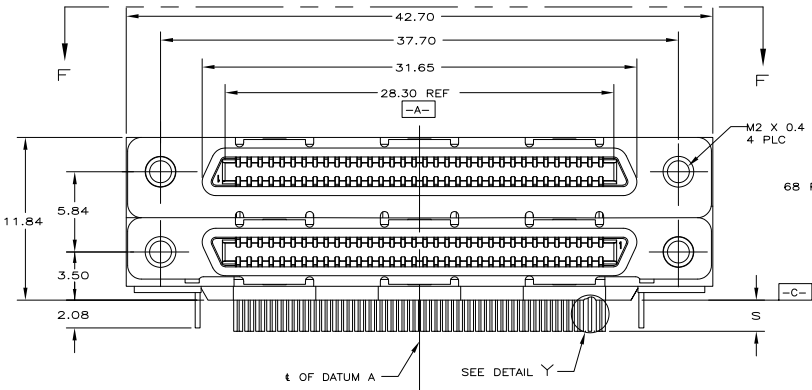
3

2

1

THIS DRAWING IS UNPUBLISHED. RELEASED FOR PUBLICATION  
 © COPYRIGHT BY TYCO ELECTRONICS CORPORATION. ALL RIGHTS RESERVED.

LOC	DIST	REVISIONS					
GP	00	F	LNK	DESCRIPTION	DATE	BY	APPD
		P		REVISED PER ECO-05-010789	24JUL06	BM	SS
		P1		REVISED PER ECO-10-000443	18JAN10	KK	AEG



△ SUPERSEDED BY 6489232-2	3.55	△	1489232-2
	2.27	△	1489232-1
S			PART NUMBER

THIS DRAWING IS A CONTROLLED DOCUMENT.		DRN	T. SHUEY	ORMDRWS		Tyco Electronics Corporation Harrisburg, PA 17105-3608	
		CHK	J. GERACE	ORMDRWS		RECEPTACLE ASSEMBLY, 68 POSITION, STACKED, COVERED CONTACTS, RIGHT ANGLE, CHAMP 0.8 mm	
		APPD	M. WALMSLEY	ORMDRWS	NAME	SIZE (CASE CODE) (DRAWING NO.)	
		PRODUCT SPEC	108-1471-1			A2 00779 C=1489232	
		APPLICATION SPEC	114-6057			RESTRICTED TO	
		HEIGHT	-			-	
MATERIAL		FINISH				SCALE 5:1 SHEET 1 of 3 REV P1	
CUSTOMER DRAWING							

AMP 1471-9 REV 31MM2000

1489232

A

4

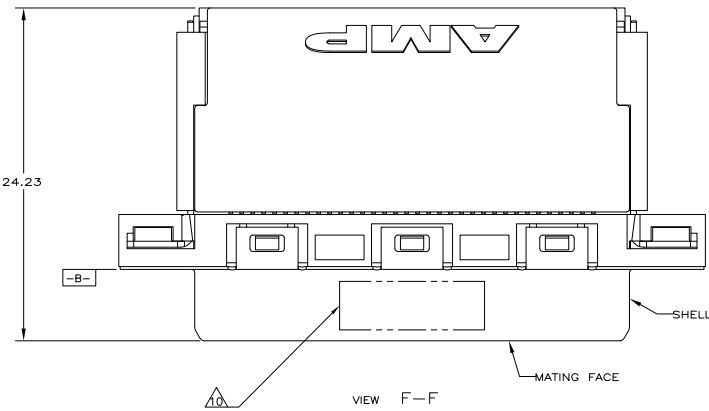
3

2

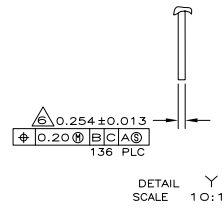
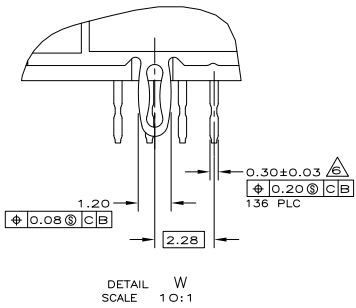
1

THIS DRAWING IS UNPUBLISHED. RELEASED FOR PUBLICATION  
 © COPYRIGHT BY TYCO ELECTRONICS CORPORATION. ALL RIGHTS RESERVED.

LOC	DIST	REVISIONS					
GP	00	F	LN	DESCRIPTION	DATE	BY	APP
				SEE SHEET 1			



- ⚠ MOLDED PARTS: THERMOPLASTIC, BLACK, UL 94V-0 RATED.  
SHELL: CARBON STEEL.  
CONTACTS: PHOSPHOR BRONZE.  
BRACKETS: STEEL.
- ⚠ SHELL: 5.08µm MIN NICKEL OVER 6.35µm MIN COPPER.  
CONTACTS: 0.076µm MIN GOLD ON MATING END, 3.75µm MIN TIN-LEAD ON OPPOSITE END, BOTH OVER 1.27µm MIN NICKEL.  
BRACKETS: TIN PLATED.
- ⚠ CONTACTS DESIGNED FOR USE ON 1.60±0.15 THICK PC BOARD WITH PLATED THRU MOUNTING HOLES.
- ⚠ RECEPTACLE ASSEMBLY DESIGNED FOR USE WITH 1.12±0.08 THICK PANEL.
- ⚠ DATUMS AND DIMENSIONS ESTABLISHED BY CUSTOMER.
- ⚠ POSITION TOLERANCE APPLIES AT CONTACT TIP ONLY.
- ⚠ OFFSET DIMENSION APPLIES TO LOWER FOOTPRINT ONLY.
- ⚠ CONTACTS DESIGNED FOR USE ON 2.35±0.15 THICK PC BOARD WITH PLATED THRU MOUNTING HOLES.
- ⚠ MAXIMUM TORQUE 0.45 N-M.
- ⚠ DATE CODE MARKED IN APPROXIMATE AREA SHOWN.
- ⚠ OBSOLETE PARTS: OBSOLETE CIS STREAMLINING PER D.RENAUD/D.SINISI



THIS DRAWING IS A CONTROLLED DOCUMENT.		DRN T. SHUEY	ORMDRS	Tyco Electronics Corporation Harrisburg, PA 17105-3608
DIMENSIONS: mm		CHK J. GERACE	ORMDRS	
TOLERANCES UNLESS OTHERWISE SPECIFIED:		APPD M. WALMSLEY	ORMDRS	NAME
0 PLC	±	PRODUCT SPEC		
1 PLC	±	APPLICATION SPEC		
2 PLC	± 0.15	WEIGHT		
3 PLC	±			
4 PLC	±			
ANGLES	± 1°			
MATERIAL				
FINISH				

RECEPTACLE ASSEMBLY, 68 POSITION, STACKED, COVERED CONTACTS, RIGHT ANGLE, CHAMP 0.8mm		RESTRICTED TO
SIZE	A2	
ONE CODE	00779	
DRAWING NO	C=1489232	
CUSTOMER DRAWING	SCALE 5:1	SHEET 2 of 3
		REV P1

AMP 1471-9 REV 31MMR2000

1489232

4

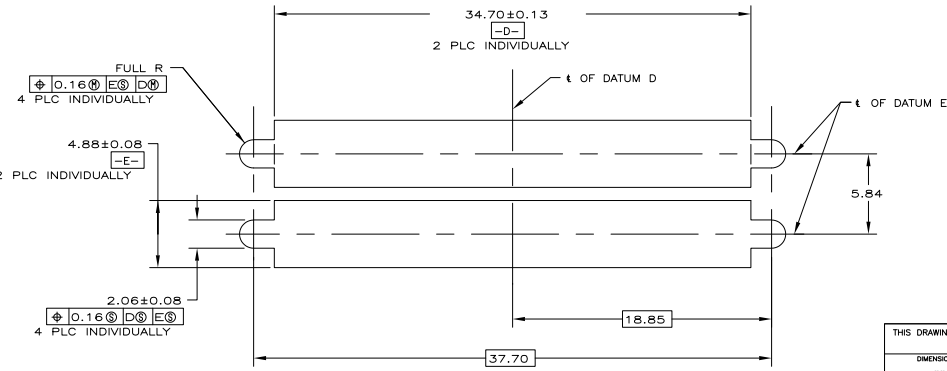
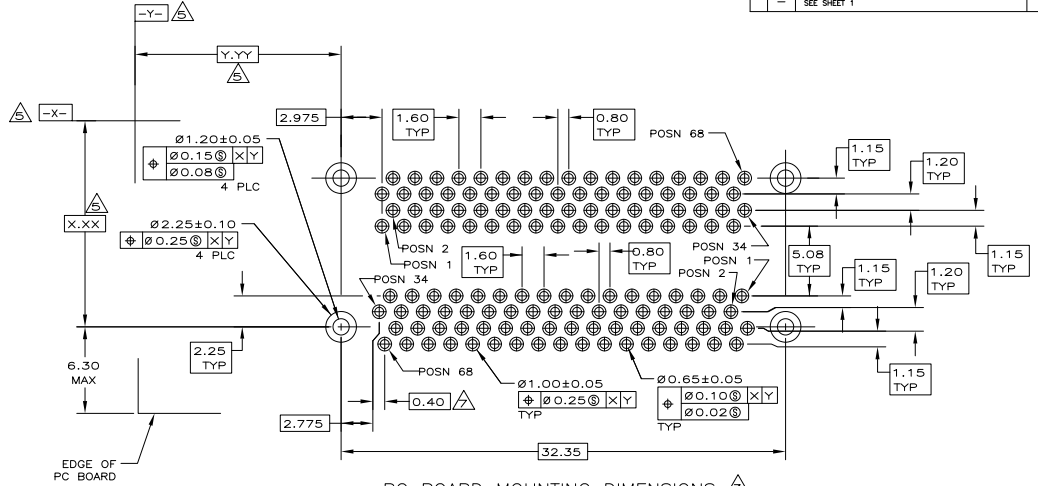
3

2

1

THIS DRAWING IS UNPUBLISHED. RELEASED FOR PUBLICATION  
 BY TYCO ELECTRONICS CORPORATION. ALL RIGHTS RESERVED.

LOC	DIST	REVISIONS					
GP	00	F	LR	DESCRIPTION	DATE	OWN	APP'D
		-	-	SEE SHEET 1			



THIS DRAWING IS A CONTROLLED DOCUMENT.		DRN	T. SHUEY	ORMDRWS		 Tyco Electronics Corporation Harrisburg, PA 17105-3608
DIMENSIONS: mm		CHK	J. GERACE	ORMDRWS		
TOLERANCES UNLESS OTHERWISE SPECIFIED:		APP'D	M. WALMSLEY	ORMDRWS	NAME	RECEPTACLE ASSEMBLY, 68 POSITION, STACKED, COVERED, CONTACTS, RIGHT ANGLE, CHAMP 0.8mm
0 PLC	± .01	APPLICATION SPEC			SIZE	A2
1 PLC	± .015	WEIGHT			DATE	00779
2 PLC	± .015				C	1489232
3 PLC	± .015				SCALE	6:1
4 PLC	± .015				SHEET	3 of 3
ANGLES	± 1°				REV	P1
MATERIAL	FRESH					
CUSTOMER DRAWING						

AMP 1471-9 REV 31MM2000

1489232

A