

4

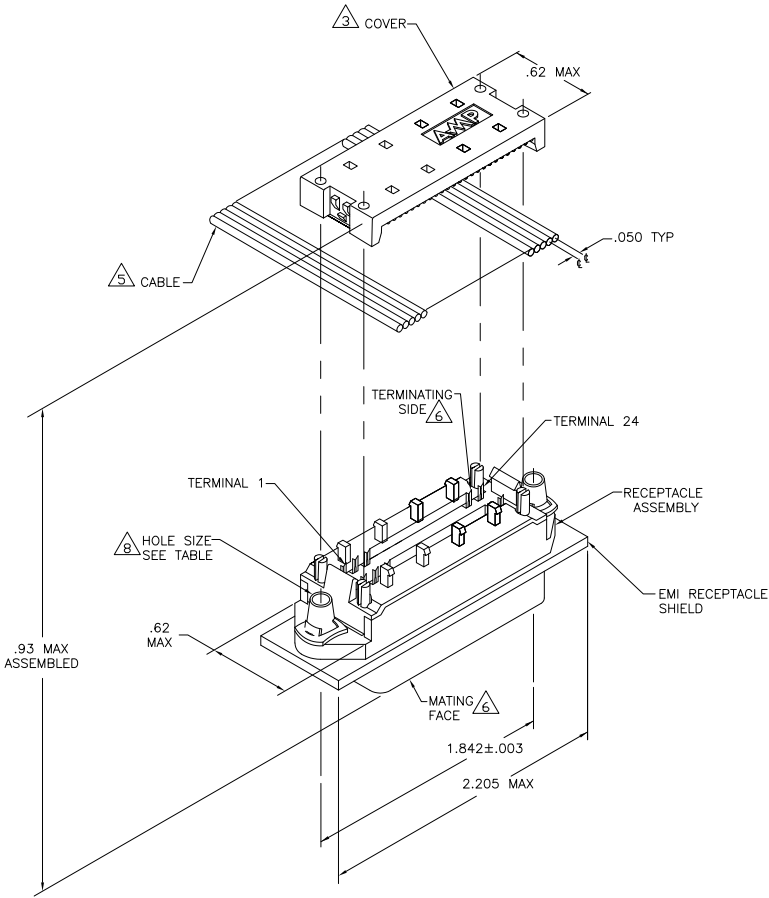
3

2

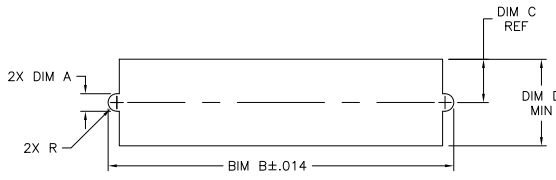
1

THIS DRAWING IS UNPUBLISHED. RELEASED FOR PUBLICATION BY TYCO ELECTRONICS CORPORATION. ALL RIGHTS RESERVED. COPYRIGHT BY TYCO ELECTRONICS CORPORATION. ALL RIGHTS RESERVED.

LOC		DIBT		REVISIONS		
GP	00	P	LTR	DESCRIPTION	DATE	BY
		B		REVISED PER ECO-08-007327	17APR08	BM WM



1. THE CONTACT SURFACES OF THE TERMINALS ARE COATED WITH LUBRICANT.
2. MATERIAL:
HOUSING & COVER: PLYPHENYLENE OXIDE (BLACK).
TERMINALS: PHOS BRONZE PLATED WITH EITHER .000030 MINIMUM GOLD PLATE OR GOLD FLASH OVER PALLADIUM NICKEL PLATE, .000030 MIN TOTAL ON MATING SURFACE. GOLD FLASH PLATED ON TERMINATING SIDE. .000050 MINIMUM NICKEL UNDERPLATE OVER ENTIRE TERMINAL.
EMI SHIELD: NICKEL PLATED DIE CASTING.
SPEEDNUTS: ZINC PLATED STEEL.
3. COVER SHOWN LOOSE BUT SHIPPED ASSEMBLED.
4. WIRE RANGE: 26 AWG SOLID THRU 30 AWG SOLID AND 28 AWG STRANDED RIBBON CABLE.
5. FLAT CABLE SHALL BE FURNISHED BY CUSTOMER.
6. MATING FACE CONSISTS OF TWO ROWS OF TERMINALS ON .085 CENTERS. TERMINATING SIDE CONSISTS OF TERMINALS ON .100 CENTERS FOR AN EFFECTIVE .050 TERMINATION.
7. PANEL THICKNESS RANGE: .062 MAX.
8. HOLES TO BE TAPPED AFTER PLATING.
9. FOR MORE INFORMATION REFER TO AMP PRODUCT SPEC 108-6076 & APPLICATION SPEC 114-6030.



△ SUGGESTED REAR PANEL MOUNTING CUTOUT DIMENSIONS

.620	.310	1.994	.152±.003	6-32 UNC-2B	5554434-1
DIM D	DIM C	DIM B	DIM A	SHIELD HOLE SIZE	PART NUMBER

THIS DRAWING IS A CONTROLLED DOCUMENT.		BY: S. MCMASTER	250CT05	Tyco Electronics Corporation	
DIMENSIONS:		CHK: W. MILLHIMES	240CT05	Harrisburg, PA 17105-3608	
OTHER DIMENSIONS:		APP: W. MILLHIMES	240CT05	NAME	
INCHES		PRODUCT SPEC		EMI RECEPTACLE ASSEMBLY,	
0 PLG		APPLICATION SPEC		24 POSITION, LOW PROFILE SHIELDED,	
1 PLG		WEIGHT		SCREW LOCK, CHAMP LATCH	
2 PLG		FINISH		RESTRICTED TO	
3 PLG				SIZE CASE CODE DRAWING NO	
4 PLG				A2 00779 C-5554434	
ANGLES				SCALE 2:1 SHEET 1 of 1 REV B	
MATERIAL				CUSTOMER DRAWING	

AMP 1471-9 REV 31MM2000

5554434