

4

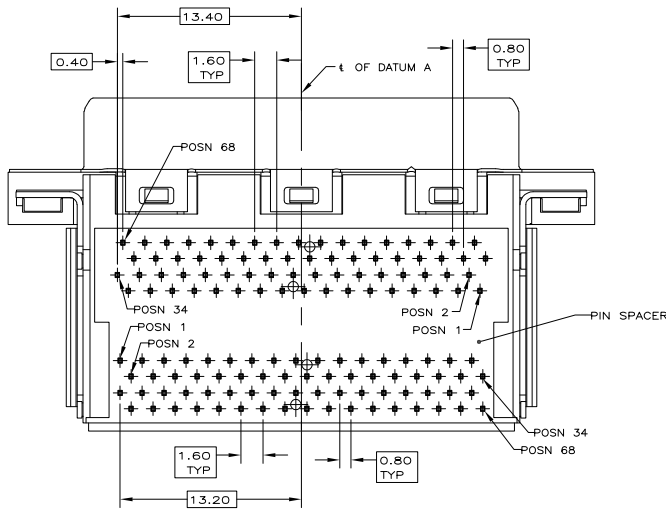
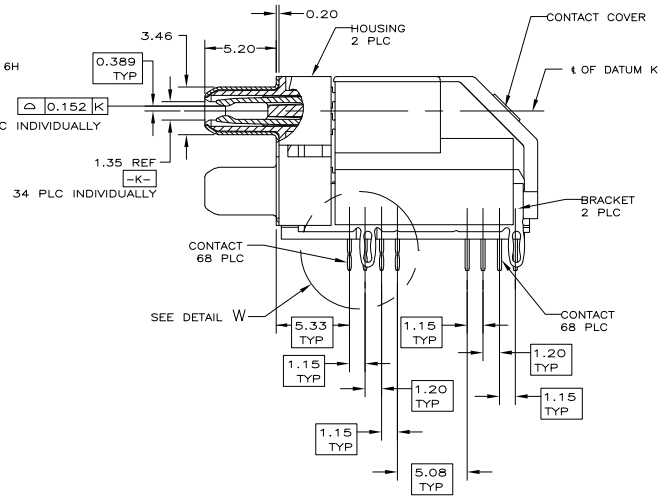
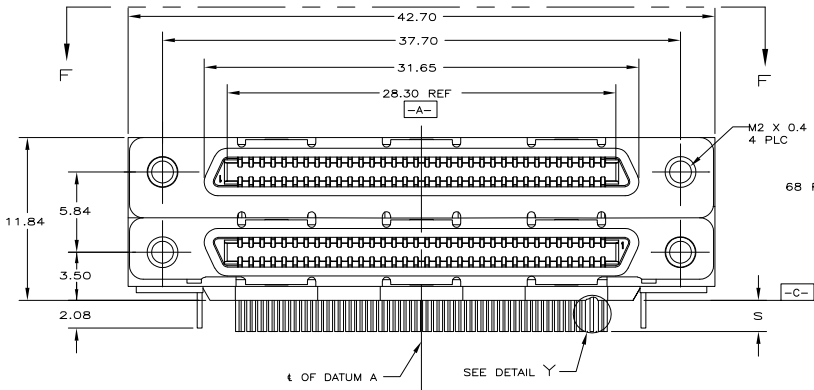
3

2

1

THIS DRAWING IS UNPUBLISHED. RELEASED FOR PUBLICATION
 © COPYRIGHT BY TYCO ELECTRONICS CORPORATION. ALL RIGHTS RESERVED.

LOC		DIBT		REVISIONS			
GP	00	F	LTR	DESCRIPTION	DATE	DWN	APD
		0		RELEASED PER EC 0513-0556-04	08-03-05	JA	JG



**COPYRIGHT 2005
 TYCO ELECTRONICS CORP
 ALL RIGHTS RESERVED**

3.55	△	6489232-2
2.27	△	6489232-1
S		PART NUMBER

THIS DRAWING IS A CONTROLLED DOCUMENT.		DWN J. ALCORTA 08-03-05	08-03-05	 Tyco Electronics Corporation Harrisburg, Pa 17105-3608
DIMENSIONS: mm		CHK S. SHUEY 08-03-05	08-03-05	
TOLERANCES UNLESS OTHERWISE SPECIFIED:		APP'D M. WALMSLEY	NAME	RECEPTACLE ASSEMBLY, 68 POSITION, STACKED, COVERED CONTACTS, RIGHT ANGLE, CHAMP 0.8 mm
0 PLC ± .1		PRODUCT SPEC	108-1471-1	
1 PLC ± .15		APPLICATION SPEC	114-6057	
2 PLC ± .2		WEIGHT	-	
3 PLC ± .25		SIZE (SEE CODE TOWARD NO)		RESTRICTED TO
4 PLC ± .3		A2 00779 C-6489232		-
ANGLES ± .1		CUSTOMER DRAWING		SCALE 5:1 SHEET 1 OF 3 REV 0

AMP 1471-9 REV 31MM2000

6489232

A

4

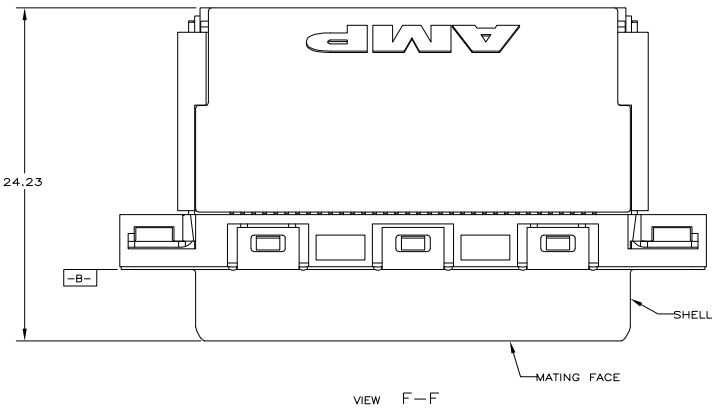
3

2

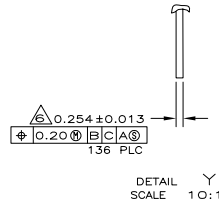
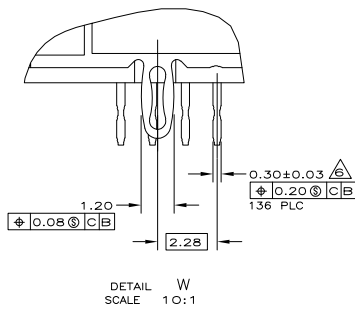
1

THIS DRAWING IS UNPUBLISHED. RELEASED FOR PUBLICATION
 © COPYRIGHT BY TYCO ELECTRONICS CORPORATION. ALL RIGHTS RESERVED.

LOC	DIST	REVISIONS		
F	LTR	DESCRIPTION	DATE	BY
GP	00	SEE SHEET 1	-	-



- ⚠ MOLDDED PARTS: THERMOPLASTIC, BLACK, UL 94V-0 RATED.
SHELL: CARBON STEEL.
CONTACTS: PHOSPHOR BRONZE.
BRACKETS: STEEL.
- ⚠ SHELL: 5.08μm MIN NICKEL OVER 6.35μm MIN COPPER.
CONTACTS: 0.076μm MIN GOLD ON MATING END, 3.75μm MIN TIN ON OPPOSITE END, BOTH OVER 1.27μm MIN NICKEL.
BRACKETS: TIN PLATED.
- ⚠ CONTACTS DESIGNED FOR USE ON 1.60±0.15 THICK PC BOARD WITH PLATED THRU MOUNTING HOLES.
- ⚠ RECEPTACLE ASSEMBLY DESIGNED FOR USE WITH 1.12±0.08 THICK PANEL.
- ⚠ DATUMS AND DIMENSIONS ESTABLISHED BY CUSTOMER.
- ⚠ POSITION TOLERANCE APPLIES AT CONTACT TIP ONLY.
- ⚠ OFFSET DIMENSION APPLIES TO LOWER FOOTPRINT ONLY.
- ⚠ CONTACTS DESIGNED FOR USE ON 2.35±0.15 THICK PC BOARD WITH PLATED THRU MOUNTING HOLES.



**COPYRIGHT 2005
 TYCO ELECTRONICS CORP
 ALL RIGHTS RESERVED**

THIS DRAWING IS A CONTROLLED DOCUMENT.		DWN J. ALCORTA 08-03-05 DOC# 6489232 CHK S. SHUEY 08-03-05 APPR M. WALMSLEY 08-03-05 NAME Tyco Electronics Corporation Harrisburg, PA 17105-3608
DIMENSIONS: mm TOLERANCES UNLESS OTHERWISE SPECIFIED: 0 PLC ± .005 1 PLC ± .010 2 PLC ± .015 3 PLC ± .020 4 PLC ± .030 ANGLES ± .1°	APPLICATION SPEC: - WEIGHT: - FINISH: -	RECEPTACLE ASSEMBLY, 68 POSITION, STACKED, COVERED CONTACTS, RIGHT ANGLE, CHAMP 0.8mm SIZE 1 (SEE DRAWING 10) A2 00779 ©-6489232 CUSTOMER DRAWING SCALE 5:1 SHEET 2 OF 3 REV 0

AMP 1471-9 REV 31MM2000

6489232

A

4

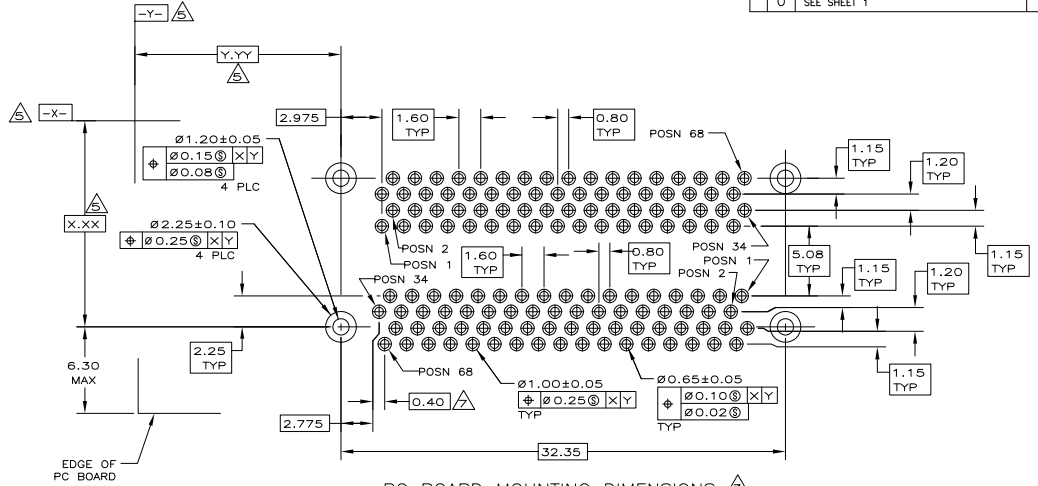
3

2

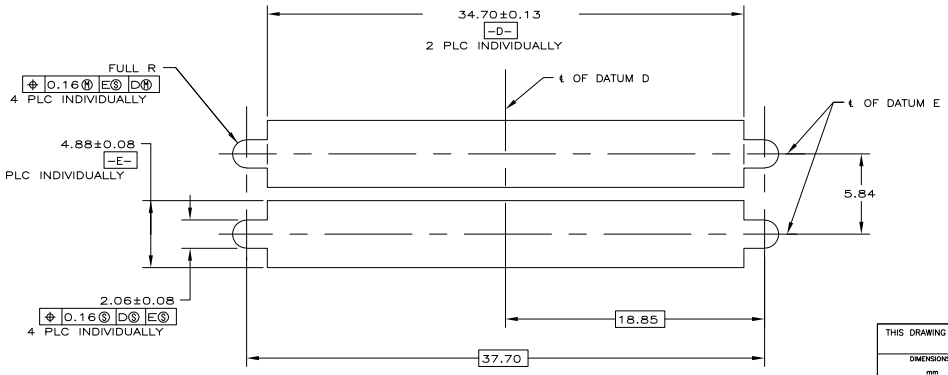
1

THIS DRAWING IS UNPUBLISHED. RELEASED FOR PUBLICATION
 © COPYRIGHT BY TYCO ELECTRONICS CORPORATION. ALL RIGHTS RESERVED.

LOC	DIST	REVISIONS					
GP	00	F	LR	DESCRIPTION	DATE	OWN	APPD
		0		SEE SHEET 1			



PC BOARD MOUNTING DIMENSIONS
SCALE 5:1



PANEL CUT-OUT DIMENSIONS
SCALE 5:1

**COPYRIGHT 2005
 TYCO ELECTRONICS CORP
 ALL RIGHTS RESERVED**

THIS DRAWING IS A CONTROLLED DOCUMENT.		DWG: J. ALCORTA 08-03-05 CHK: S. SHUEY 08-03-05 APPR: M. WALKMSLEY 08-03-05 NAME: M. WALKMSLEY PRODUCT SPEC: -- APPLICATION SPEC: -- WEIGHT: -- MATERIAL: -- FINISH: --	Tyco Electronics Corporation Harrisburg, Pa 17105-3608 RECEPTACLE ASSEMBLY, 68 POSITION, STACKED, COVERED, CONTACTS, RIGHT ANGLE, CHAMP 0.8mm SIZE: FACE EDGE (DRAWING TO) A2 00779 C-6489232 CUSTOMER DRAWING
DIMENSIONS:	mm		
0 PLC	±		
1 PLC	±		
2 PLC	±	0.13	
3 PLC	±		
4 PLC	±		
ANGLES	±		
MATERIAL			
FINISH			
SCALE		6:1	
SHEET		3	3
REV			0

AMP 1471-9 REV 31MM2000

6489232

A