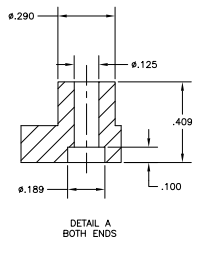
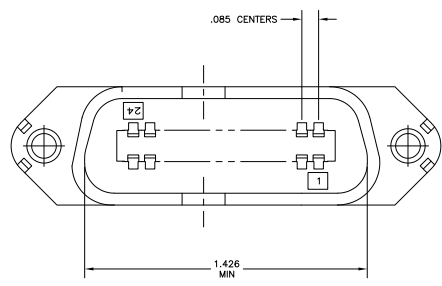
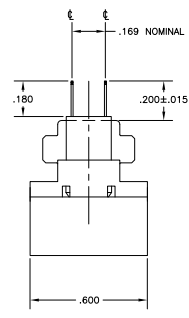
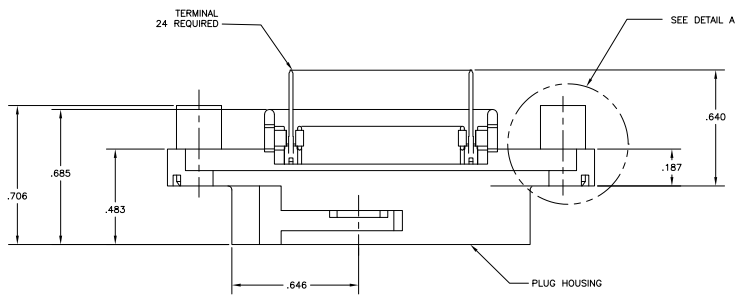
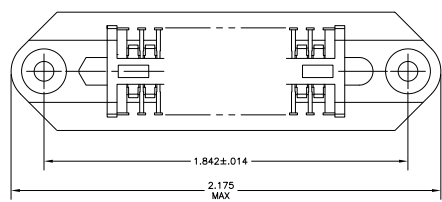


THIS DRAWING IS UNPUBLISHED  
 ALL RIGHTS RESERVED  
 IN THE ELECTRONICS CORPORATION

REV	DATE	DESCRIPTION	BY	CHK	APP
00					
B		REVISED FOR ECO-08-007327			



1. THE CONTACT SURFACES OF THE TERMINALS ARE COATED WITH LUBRICANT.
- △ ALL DIMENSIONS SHOWN ARE FOR REFERENCE ONLY UNLESS OTHERWISE SPECIFIED.  
 △ MATERIAL: HOUSING - THERMOPLASTIC, BLACK.  
 TERMINAL - PHOS BRONZE PLATED WITH EITHER .000030 MINIMUM GOLD PLATE OR GOLD FLASH OVER PALLADIUM NICKEL PLATE, .000030 MINIMUM TOTAL ON MATING SURFACE. .000120 MINIMUM TIN PLATE ON TAILS OVER .000050 MINIMUM NICKEL UNDERPLATE OVER ENTIRE TERMINAL.

5552221-1  
 PART NUMBER

THIS DRAWING IS A CONTROLLED DOCUMENT.		DESIGNED BY: J. LATTUCA	TRACED BY: J. LATTUCA	DATE: 11/05/08	REVISED BY: J. LATTUCA	DATE: 11/05/08	REVISED BY: J. LATTUCA	DATE: 11/05/08
APPROVED BY: M. WILMSLEY	DATE: 11/05/08	DESIGNED BY: J. LATTUCA	TRACED BY: J. LATTUCA	DATE: 11/05/08	REVISED BY: J. LATTUCA	DATE: 11/05/08	REVISED BY: J. LATTUCA	DATE: 11/05/08
DRAWING NO: 100779		PART NAME: PLUG ASSY, 24 POSN, VERT MFG, CHAMP-LOK WITH STANDOFFS		DRAWING NO: 5552221		REVISED BY: J. LATTUCA		DATE: 11/05/08
CUSTOMER DRAWING		DATE: 11/05/08		DRAWING NO: 5552221		REVISED BY: J. LATTUCA		DATE: 11/05/08