

4

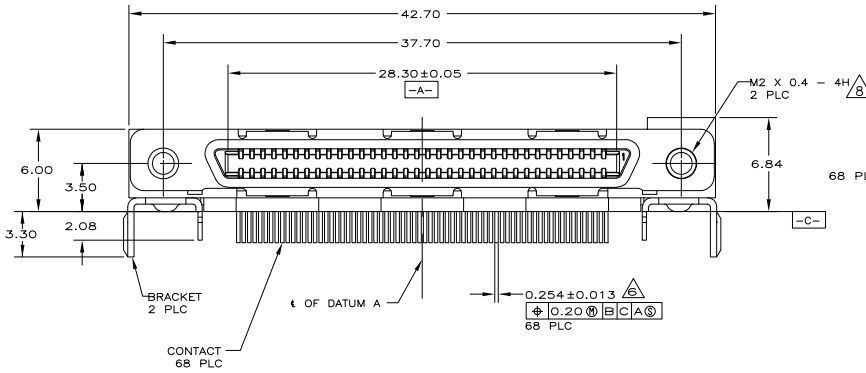
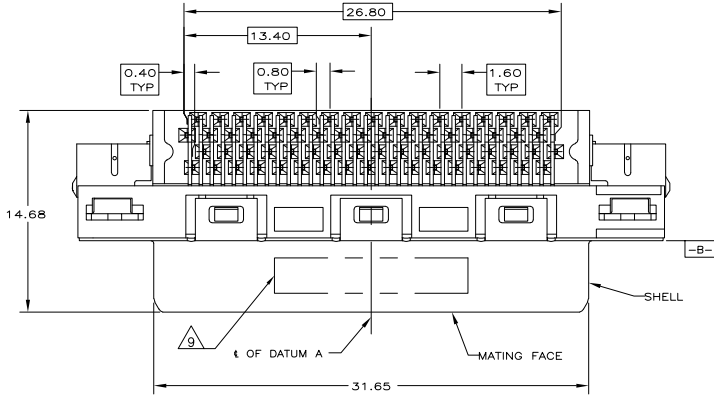
3

2

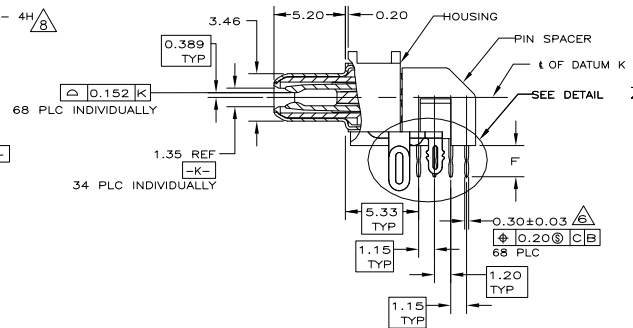
1

THIS DRAWING IS UNPUBLISHED. RELEASED FOR PUBLICATION  
 © COPYRIGHT BY TYCO ELECTRONICS CORPORATION. ALL RIGHTS RESERVED.

LOC		DIBT		REVISIONS		
F	LR	DESCRIPTION	DATE	BY	APP'D	
GP	00	REVISED PER ECO-07-004221	30MAR07	JDP	EDB	



- ⚠ HOUSING & PIN SPACER: THERMOPLASTIC, BLACK, UL 94V-0 RATED. SHELL: CARBON STEEL. CONTACTS: PHOSPHOR BRONZE. BRACKETS: STEEL.
- ⚠ SHELL: 5.08 μm MIN NICKEL OVER 2.54 μm MIN COPPER. CONTACTS: 0.76 μm MIN GOLD ON MATING END, 3.75 MIN TIN-LEAD ON SOLDER TAILS, BOTH OVER 1.27 μm MIN NICKEL ON ENTIRE CONTACT. BRACKETS: TIN PLATED.
- ⚠ CONTACTS DESIGNED FOR USE ON 1.60±0.15 THICK PC BOARD WITH PLATED THRU MOUNTING HOLES.
- ⚠ RECEPTACLE ASSEMBLY DESIGNED FOR USE WITH 1.12±0.08 THICK PANEL.
- ⚠ DATUMS AND DIMENSIONS ESTABLISHED BY CUSTOMER.
- ⚠ POSITION TOLERANCE APPLIES AT CONTACT TIP ONLY.
- ⚠ CONTACTS DESIGNED FOR USE ON 2.35±0.15 THICK PC BOARD WITH PLATED THRU MOUNTING HOLES.
- ⚠ MAXIMUM TORQUE 0.45 N-M.
- ⚠ DATE CODE MARKED IN APPROXIMATE AREA SHOWN.



SUPERSEDED BY 796055-1

REVISIONS	DATE	BY	APP'D
2	2-27	JDP	EDB
3	3-55	JDP	EDB
1	2-27	JDP	EDB

THIS DRAWING IS A CONTROLLED DOCUMENT.		DIM: T. SHUEY CHK: J. GERACE J. GERACE J. GERACE M. WALMSLEY PRODUCT SPEC: 108-1471-1 APPLICATION SPEC: 114-6057 WEIGHT: - FINISH: -	Tyco Electronics Corporation Harrisburg, PA 17105-3608 <b>Tyco Electronics</b> RECEPTACLE ASSEMBLY, 68 POSITION, SHIELDED, RIGHT ANGLE, CHAMP 0.8mm SIZE: A2 CASE CODE (DRAWING NO): 00779 C=796055 SCALE: 5:1 SHEET: 1 of 2 REV: P
--	--	--	--

AMP 1471-9 REV 31MM2000

4

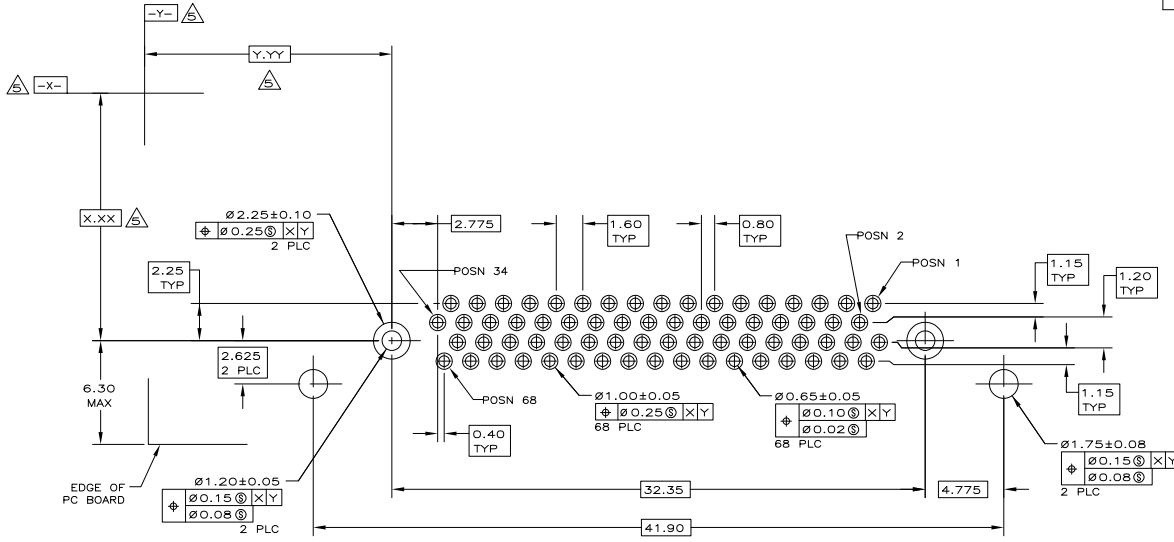
3

2

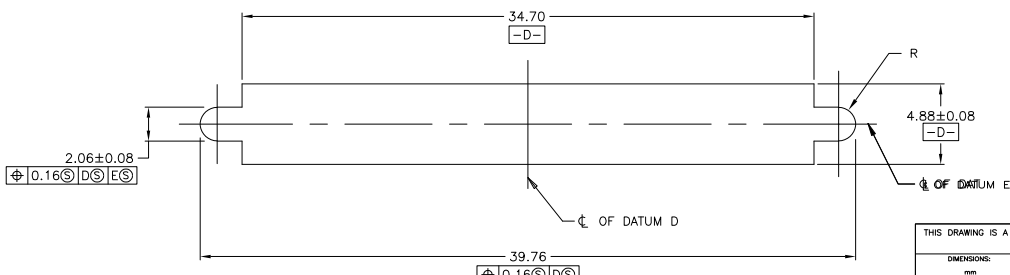
1

THIS DRAWING IS UNPUBLISHED. RELEASED FOR PUBLICATION  
 BY TYCO ELECTRONICS CORPORATION. ALL RIGHTS RESERVED.

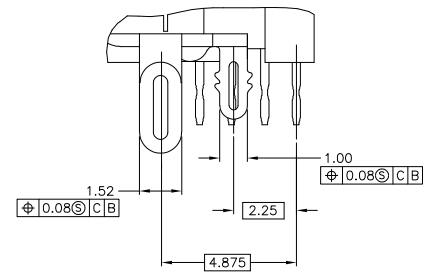
LOC	DIST	REVISIONS					
GP	00	F	LTR	DESCRIPTION	DATE	OWN	APP'D
-	-	-	-	SEE SHEET 1	-	-	-



PC BOARD MOUNTING DIMENSIONS  $\Delta$



PANEL CUT-OUT DIMENSIONS  $\Delta$



DETAIL Z  
SCALE 10:1

THIS DRAWING IS A CONTROLLED DOCUMENT.		DRN	T. SHUEY	ORNMAROS	Tyco Electronics Corporation		
		CHK	J. GERACE	ORNMAROS	Harrisburg, PA 17105-3608		
		APPC	M. WALMSLEY	ORNMAROS	Tyco Electronics		
		PRODUCT SPEC		ORNMAROS	RECEPTACLE ASSEMBLY, 68 POSITION, SHIELDED, RIGHT ANGLE, CHAMP 0.8mm		
		APPLICATION SPEC		ORNMAROS	SIZE	CAGE CODE (FOWING NO)	RESTRICTED TO
		WEIGHT		ORNMAROS	A2	00779 C=796055	-
MATERIAL		FINISH		CUSTOMER DRAWING	SCALE	6:1	SHEET 2 of 2 REV P

AMP 1471-9 REV 31MM2000

796055

A