

- △ HOUSING AND TINE PLATE: LCP, UL 94V-0 RATED, BLACK.
- TERMINALS: PHOSPHOR BRONZE.
- RETENTION LEGS: BRASS.
- △ TERMINALS: 0.76µm MIN GOLD FOR A LENGTH 1.20 MIN STARTING 0.50 MAX FROM MATING END, 3.81µm MIN TIN-LEAD FOR A LENGTH OF 3.40 MIN FROM OPPOSITE END, BOTH OVER 1.27µm MIN NICKEL.
- RETENTION LEGS: 3.81µm MIN TIN-LEAD OVER 1.27µm MIN NICKEL.
- △ CONNECTOR WILL ACCOMMODATE MATING PRINTED CIRCUIT BOARD OF 1.60±0.07.
- △ CONTACTS 1, 36 THRU 40, 41 THRU 43, 45, 46 AND 75 THRU 80 ARE POSITIONED TOWARD THE MATING FACE. (FIRST MATE)
- △ CONTACTS 2 THRU 35, 44, AND 47 THRU 74 ARE POSITIONED AWAY FROM THE MATING FACE. (SECOND MATE)
- △ TERMINALS: 0.76µm MIN GOLD FOR A LENGTH 1.20 MIN STARTING 0.50 MAX FROM MATING END, 3.81µm MIN TIN FOR A LENGTH OF 3.40 MIN FROM OPPOSITE END, BOTH OVER 1.27µm MIN NICKEL.
- RETENTION LEGS: 3.81µm MIN TIN OVER 1.27µm MIN NICKEL.

YES	△	3.05	80	787535-4
YES	△	2.54	80	787535-3
NO	△	3.05	80	787535-2
NO	△	2.54	80	787535-1
LEAD FREE	FINISH	A	NO OF POSN	PART NUMBER

THIS DRAWING IS A CONTROLLED DOCUMENT.

DESIGNED BY	APPROVED BY	DATE	REV
DRN	DRN	10/15/04	1
REV	REV	REV	REV
1	1	1	1
2	2	2	2
3	3	3	3
4	4	4	4
5	5	5	5
6	6	6	6
7	7	7	7
8	8	8	8
9	9	9	9
10	10	10	10

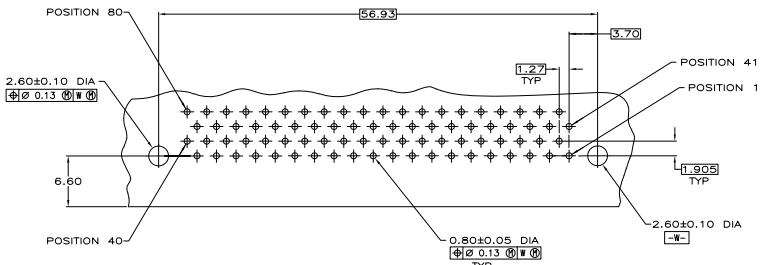
RECEPTACLE ASSEMBLY, RIGHT ANGLE, BOARD-TO-BOARD, .050, SERIES L, CHAMP BLINDMATE

114-6061 A1 00779 Q=787535

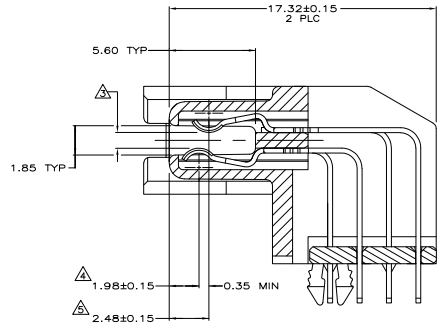
CUSTOMER DRAWING SCALE 4:1 SHEET 1 OF 2

THE DRAWING'S DIMENSIONS ARE FOR INFORMATION PURPOSES ONLY. ALL RIGHTS RESERVED.
 COMMENT: - AT POS ELECTRONICS CORPORATION.

REV	DATE	DESCRIPTION	BY	CHK	APP
GP 00					
		SEE SHEET 1			



RECOMMENDED PC BOARD MOUNTING DIMENSIONS COMPONENT SIDE



SECTION B-B SCALE 8:1

THIS DRAWING IS A CONTROLLED DOCUMENT.		REV	DATE	BY	CHK	APP
DRAWING NO.		00				
DRAWING TITLE		RECEPTACLE ASSEMBLY, RIGHT ANGLE, BOARD-TO-BOARD, .050, SERIES L, CHAMP BLINDMATE				
DESIGNER		J. McMASTER				
CHECKED		J. McMASTER				
APPROVED		J. McMASTER				
MATERIAL		COPPER				
QUANTITY		100-1548-2				
SPECIFICATION		114-6061				
SCALE		A1 00779 Q=7875.35				
CUSTOMER DRAWING		SCALE 4:1 SHEET 2 OF 2				