

4

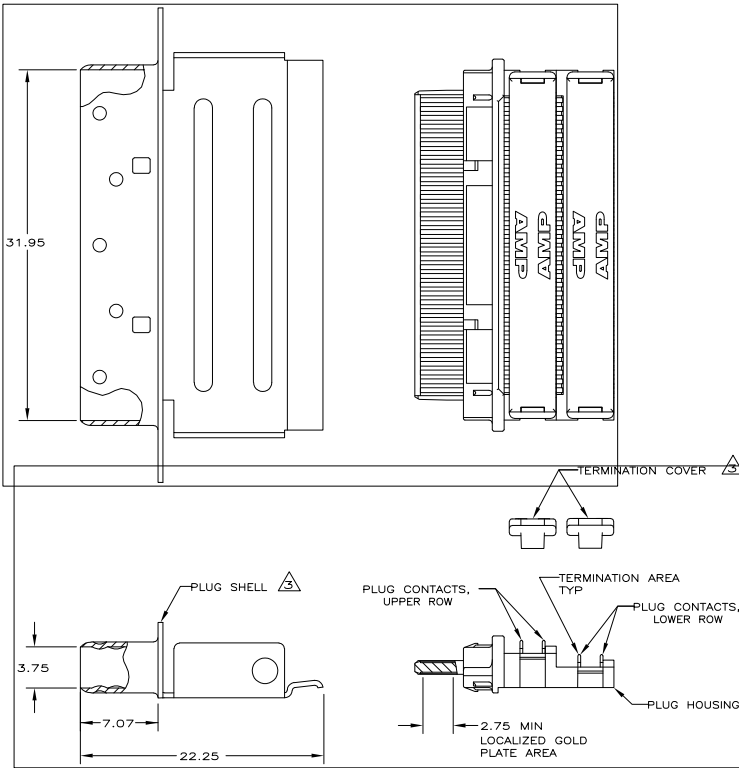
3

2

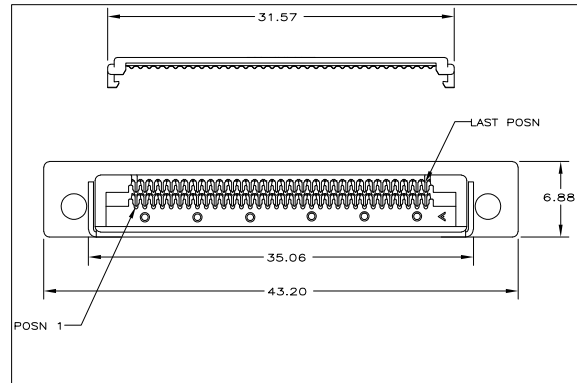
1

THIS DRAWING IS UNPUBLISHED. RELEASED FOR PUBLICATION 20--
 © COPYRIGHT 20-- BY TYCO ELECTRONICS CORPORATION. ALL RIGHTS RESERVED.

LOC	DIST	REVISIONS			
F	L/R	DESCRIPTION	DATE	BY	APP
GP	00				
	C1	REVISED PER ECO-06-012000	24AUG06	JRP	SS



- ⚠ MATERIAL:
 PLUG CONTACTS - PHOSPHOR BRONZE.
 PLUG SHELL - CARBON STEEL.
 PLUG HOUSING - LCP, NATURAL, RATED UL 94V-0.
 TERMINATION COVERS - LCP, BLACK, RATED UL 94V-0.
- ⚠ PLATING:
 PLUG CONTACTS - 0.76µm MINIMUM GOLD PLATE IN LOCALIZED GOLD PLATE AREA, 1.27µm MINIMUM TIN-LEAD PLATE IN TERMINATION AREA, ALL OVER 1.27µm MINIMUM NICKEL.
 PLUG SHELL - 5.08µm MINIMUM NICKEL OVER 1.27µm MINIMUM COPPER.
- ⚠ TERMINATION COVERS AND PLUG SHELL ARE PACKAGED UNASSEMBLED.
- 4. RECOMMENDED WIRE: 30 AWG WITH A 0.56-0.64 INSULATION DIAMETER, WIRE MUST BE APPROVED BY AMP ENGINEERING.



787775-1
PART NUMBER

THIS DRAWING IS A CONTROLLED DOCUMENT.		DRN T. SHUEY	DEMARCO	Tyco Electronics Corporation Harrisburg, Pa 17105-3608	
DIMENSIONS: mm		CHK J. GERACE	DEMARCO	Tyco Electronics Corporation	
TOLERANCES UNLESS OTHERWISE SPECIFIED:		APPD M. WALMSLEY	DEMARCO	PLUG KIT, UNASSEMBLED, 68 POSN, CHAMP 0.8MM OFFSET CABLE CONNECTOR	
0 PLC ± -		PRODUCT SPEC 108-1471	DEMARCO	SIZE A2	CAGE CODE 00779
1 PLC ± -		APPLICATION SPEC		DRAWING NO C=787775	RESTRICTED TO
2 PLC ± 0.13		WEIGHT			-
3 PLC ± -					
4 PLC ± -					
MATERIAL					
FINISH					
⚠					
⚠					
CUSTOMER DRAWING				SCALE 4:1	SHEET 1 of 1
					REV C1

AMP 1471-9 REV 31MAR2000