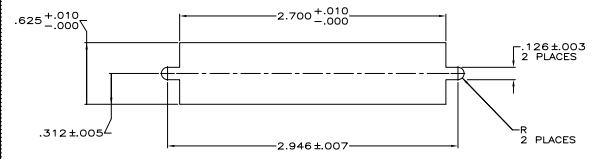
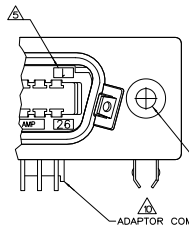


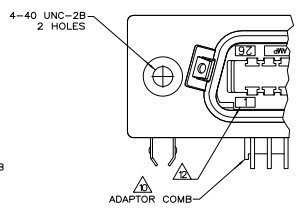
THIS DRAWING IS UNCLASSIFIED
 UNLESS INDICATED OTHERWISE
 © 2007 BY TIPO ELECTRONICS CORPORATION. ALL RIGHTS RESERVED.



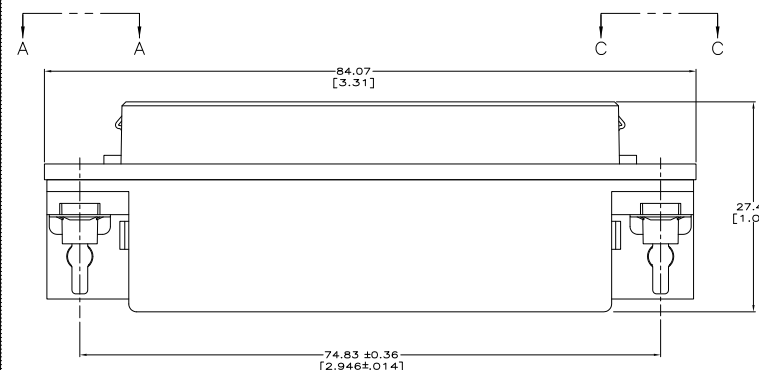
SUGGESTED BRACKET CUTOUT
 MOUNTING DIMENSIONS
 SCALE 2:1



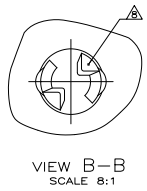
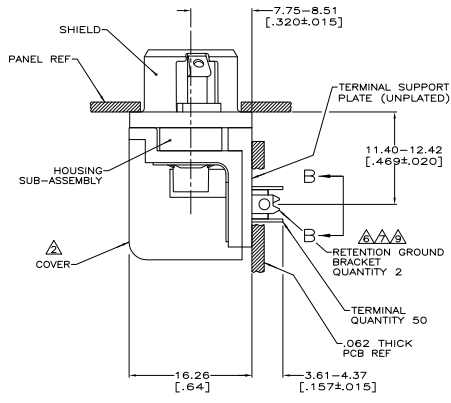
VIEW A-A
 STANDARD ORIENTATION
 ROTATED 180° CCW



VIEW C-C
 REVERSE ORIENTATION
 ROTATED 180° CCW



SUGGESTED PRINTED CIRCUIT BOARD
 MOUNTING DIMENSIONS



VIEW B-B
 SCALE 8:1

REV	DATE	DESCRIPTION	BY	CHK	APP
D		REVISED PER ECO-08-02737	DMF/P108	BM	WM
DT		REVISED PER ECO-08-02497	07M/009	KK	AEG

- △ MATERIAL:
 HOUSING AND ADAPTER COMB - POLYESTER, BLACK.
 SUPPORT PLATE - POLYESTER, NATURAL (OR EQUIVALENT).
 SHIELD - BRIGHT NICKEL OVER COPPER PLATED ZINC.
 TERMINALS - HIGH STRENGTH COPPER ALLOY PLATED WITH EITHER 0.76µm [0.00030] MIN GOLD PLATE OR GOLD FLASH OVER PALLADIUM NICKEL PLATE, 0.76µm [0.00030] MIN TOTAL ON MATING SURFACE, 3.05µm [0.00120] MIN TIN-LEAD PLATE ON TAILS, ALL OVER 1.27µm [0.00050] MIN NICKEL UNDERPLATE OVER ENTIRE TERMINAL.
 RETENTION GROUND BRACKET - TIN-LEAD PLATED CARBON STEEL.
- △ COVER - POLYESTER, NATURAL (OR EQUIVALENT), PLATED MATTE COPPER 3.81µm [0.00150] MINIMUM THICK, BENEATH MATTE NICKEL PLATE, 3.81µm [0.00150] MINIMUM THICK.
- 3. CENTER-TO-CENTER SPACING OF TERMINALS IS 2.16 [0.85] NOMINAL.
- △ ALL DIMENSIONS SHOWN ARE MAXIMUM UNLESS OTHERWISE SPECIFIED.
- △ TERMINAL 1 LOCATED THIS ROW FOR STANDARD ORIENTATION, SEE VIEW A-A.
- △ GROUNDING BRACKET RETAINS CONNECTOR IN 1.57 [0.62] THICK PC BOARD WITHOUT ADDITIONAL HARDWARE.
- △ GROUNDING BRACKET LOCATES CONNECTOR FLUSH WITH TOP OF PC BOARD AND SPRING LOCKS BENEATH.
- △ CYLINDRICAL SHAPE OFFERS 180° OF SOLDERING SURFACE.
 SURFACE AREA OF BOARDLOCK GROUNDING BRACKET BELOW PC BOARD SHALL PASS SOLDERABILITY REQUIREMENTS IN ACCORDANCE WITH TYCO SPEC 109-11-2. DISCOLORATION, SCRATCHES, SPOTS AND OTHER COSMETIC DEFICIENCIES TYPICAL OF BARREL PLATING PROCESSES ARE ACCEPTABLE PROVIDING PARTS PASS 24 HOUR EXPOSURE AT 95% RH AT 40°C WITHOUT EVIDENCE OF CORROSION.
- △ IF TERMINALS DO NOT EXTEND BELOW COMB, COMB SHALL BE PARTIALLY RETRACTED BEFORE INSERTING CONNECTOR INTO PC BOARD.
- 11. THE CONTACT SURFACES OF THE TERMINALS ARE COATED WITH LUBRICANT.
- △ TERMINAL 1 LOCATED THIS ROW FOR REVERSE ORIENTATION, SEE VIEW C-C.
- △ OBSOLETE PARTS: OBSOLETE CIS STREAMLINING PER D.RENAUD/D.SINISI

REV	DATE	DESCRIPTION	BY	CHK	APP
25-50		△ REVERSE VIEW C-C			1368355-6
25-50		△ STANDARD VIEW A-A			1368355-5
1-26/25-50		△ REVERSE VIEW C-C			1368355-4
1-26/25-50		△ STANDARD VIEW A-A			1368355-3
1-26		△ REVERSE VIEW C-C			1368355-2
1-26		△ STANDARD VIEW A-A			1368355-1

THIS DRAWING IS A CONTROLLED DOCUMENT.

DESIGNED BY	REVISIONS	DATE
DR. P. MCCORMACK		
DESIGNED BY	REVISIONS	DATE
DR. P. MCCORMACK		

THIS DRAWING IS A CONTROLLED DOCUMENT.

INCHES	UNLESS OTHERWISE SPECIFIED
DECIMALS	
FRACTIONS	
ANGLES	
SPACES	
THREADS	
FINISHES	
PROFILES	

THIS DRAWING IS A CONTROLLED DOCUMENT.

DATE	ISSUE	REVISED BY	REVISIONS
00779	1		

THIS DRAWING IS A CONTROLLED DOCUMENT.

DATE	ISSUE	REVISED BY	REVISIONS
00779	1		

THIS DRAWING IS A CONTROLLED DOCUMENT.

DATE	ISSUE	REVISED BY	REVISIONS
00779	1		