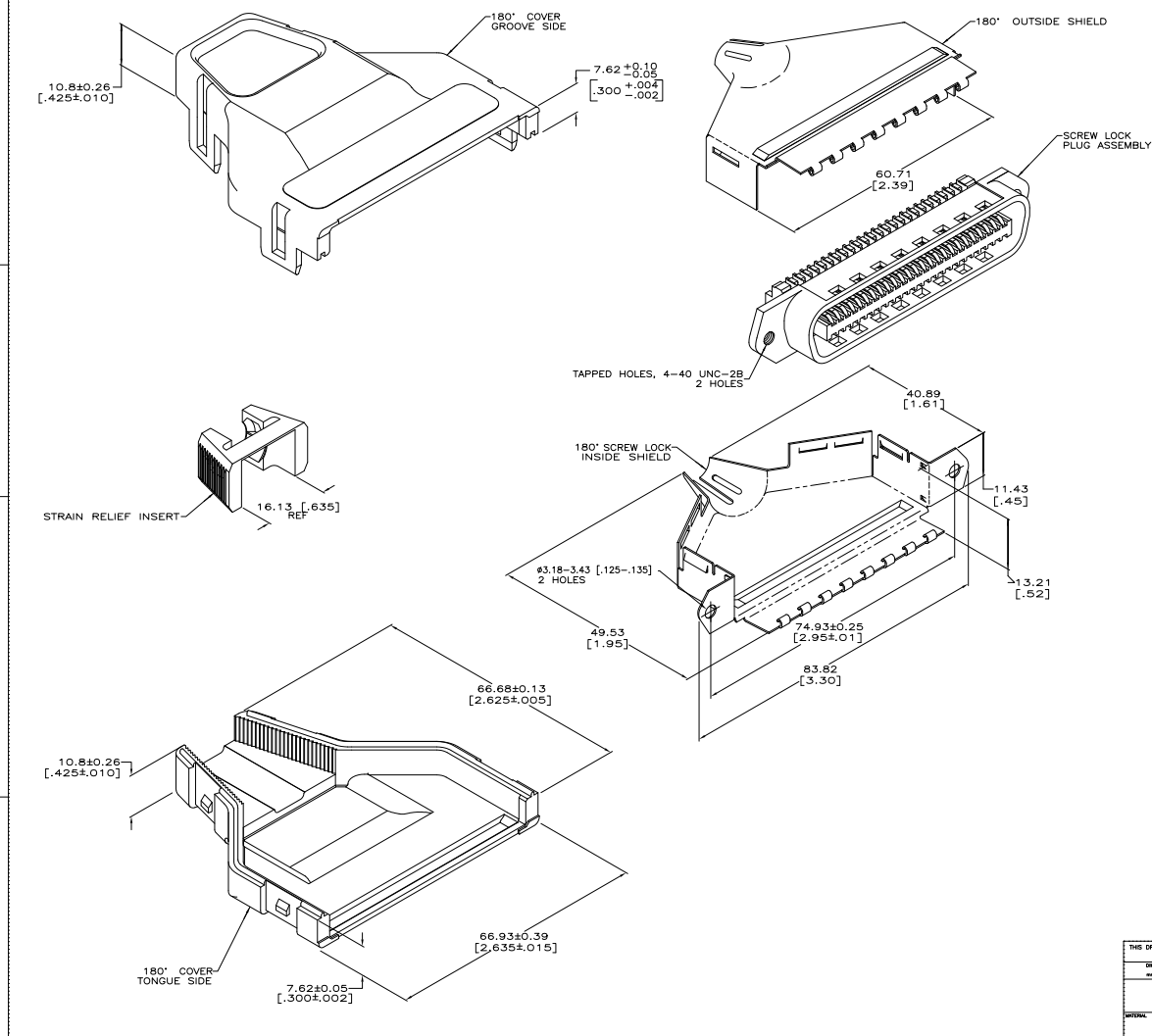


THIS DRAWING IS UNPUBLISHED. REVISIONS FOR PURCHASER.
 © 2008 PHS... ALL RIGHTS RESERVED.

REV	DATE	DESCRIPTION	BY	CHKD	APPD
GP 00					
E		REVISED FOR ECO-09-01045			11MAR2009 CR PR



- THIS KIT SHIPPED NOT ASSEMBLED.
- ⚠ MATERIAL: SHIELDS – BRIGHT NICKEL PLATED CARBON STEEL.
 PLUG HOUSING – POLYPHENYLENE OXIDE, BLACK.
 TERMINAL – HIGH STRENGTH COPPER ALLOY PLATED WITH EITHER 0.76µm [.000030] MIN GOLD OR GOLD FLASH OVER PALLADIUM NICKEL PLATE, 0.76µm [.000030] MIN TOTAL ON MATING SURFACE, 1.27µm [.000050] MIN NICKEL UNDERPLATE OVER ENTIRE TERMINAL.
 STRAIN RELIEF – POLYPROPYLENE, BLACK.
- CABLE RANGE: Ø6.35–12.7 [2.50–.500].
- CENTER-TO-CENTER SPACING OF TERMINALS 2.16 [.085] NOMINAL.
- ⚠ WIRE SIZE: 24 OR 26 AWG SOLID OR 24 AWG 7 STRANDS OF COPPER CONDUCTORS. MAXIMUM INSULATION DIAMETER OF 1.14 [.045] IS ACCEPTABLE FOR MOST APPLICATIONS.
- ⚠ DIMENSIONS ARE MAXIMUM UNLESS OTHERWISE SPECIFIED.
- BULK PACKAGED 100 KITS PER BOX.

DIMENSIONS (mm INCHES)		TOLERANCES UNLESS OTHERWISE SPECIFIED		MATERIALS UNLESS OTHERWISE SPECIFIED		FINISHES UNLESS OTHERWISE SPECIFIED		STANDARD SYMBOLS UNLESS OTHERWISE SPECIFIED		UNLESS OTHERWISE SPECIFIED	
1	2	3	4	5	6	7	8	9	10	11	12
AS SHOWN	1368365-1	DESCRIPTION: PLUG ASSEMBLY KIT, 50 POSITION, B-SLOT, SHIELDED, CABLETYPE		PART NUMBER:		Title Electronics Corporation, Harrisburg, PA 17105-3808		REVISED FOR ECO-09-01045		DATE: 11 MAR 2009	
CUSTOMER DRAWING		DRAWING NO: A100779		REVISED FOR ECO-09-01045		DATE: 11 MAR 2009		BY: CR		CHKD: PR	