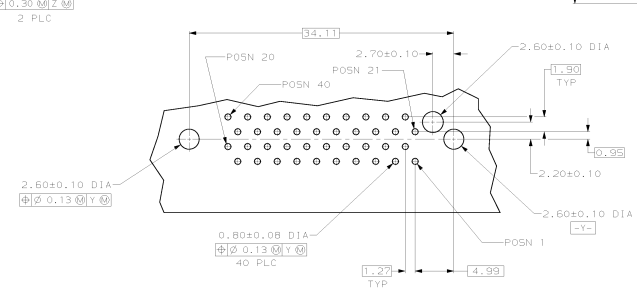
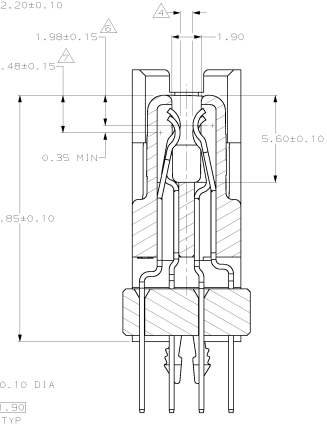
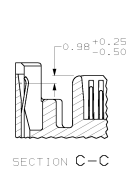
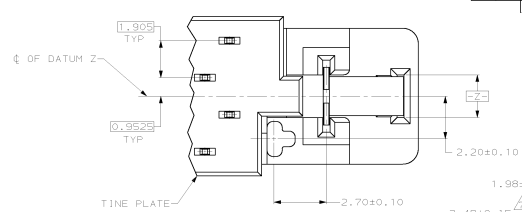
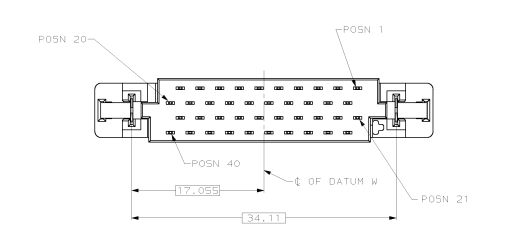
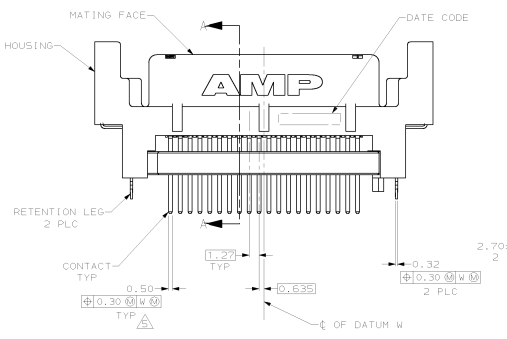
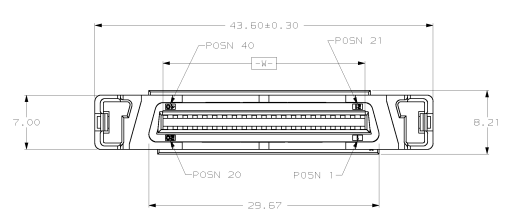


REV	DATE	DESCRIPTION	BY	CHK	APP
GP 00					
M		REVISED PER EC 0513-0543-04	JAMES	JG	SS



RECOMMENDED PC BOARD MOUNTING DIMENSIONS COMPONENT SIDE

- △ HOUSING & TINE PLATE: POLYESTER, UL 94V-0 RATED, BLACK.
- CONTACTS: PHOSPHOR BRONZE.
- RETENTION LEGS: BRASS.
- △ CONTACTS: 0.76 μm MIN GOLD FOR A LENGTH 1.20 MIN STARTING 0.50 MAX FROM MATING END, 3.81 μm MIN TIN-LEAD ON SOLDER TINES, BOTH OVER 1.27 μm MIN NICKEL.
- RETENTION LEGS: 3.81 μm MIN TIN-LEAD OVER 1.27 μm MIN NICKEL.
- △ CONNECTOR WILL ACCOMMODATE PRINTED CIRCUIT BOARD THICKNESS OF 1.77 TO 4.06.
- △ CONNECTOR WILL ACCOMMODATE MATING PRINTED CIRCUIT BOARD OF 1.60±0.07 THICKNESS.
- △ POSITION TOLERANCE APPLIES AT CONTACT TIP ONLY.
- △ CONTACTS 21, 22, 23, 26, 29, 32, AND 35 THRU 40 ARE POSITIONED TOWARD THE MATING FACE. (FIRST MATE)
- △ CONTACTS 1 THRU 20, 24, 25, 27, 28, 30, 31, 33, AND 34 ARE POSITIONED AWAY FROM THE MATING FACE. (SECOND MATE)
- △ CONTACTS: 0.76 μm MIN GOLD FOR A LENGTH 1.20 MIN STARTING 0.50 MAX FROM MATING END, 3.81 μm MIN MATTE TIN ON SOLDER TINES, BOTH OVER 1.27 μm MIN NICKEL.
- RETENTION LEGS: 3.81 μm MIN HALT TIN.

OBsolete	4.57	787587-3
△	2.79	787587-2
△	4.57	787587-1
FINISH	J	PART NO. 787587

REV	DATE	DESCRIPTION	BY	CHK	APP
1	108-1548	RECEPTACLE ASSEMBLY, EXTENDED HEIGHT, VERTICAL, 40 POSN, SERIES 1, CHAMP BLINDMATE			
2	114-6051				
3					

AMP Incorporated, Harrisburg, PA 17105-8608