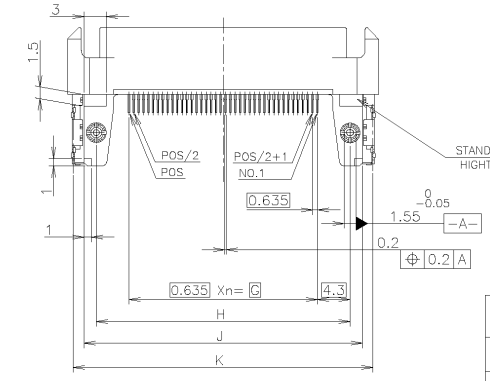
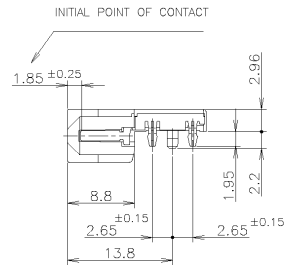
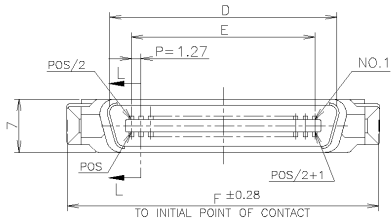
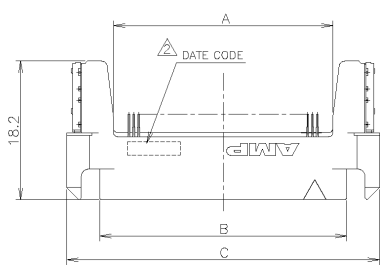


THIS DRAWING IS UNPUBLISHED. RELEASED FOR PUBLICATION OCT. 1997.
 © COPYRIGHT 1997 BY TYCO ELECTRONICS CORPORATION. ALL RIGHTS RESERVED.

LOC	DIST	REVISIONS			
P	LTR	DESCRIPTION	DATE	DWN	APVD
	A	RELEASED	ECO-05-000608	9MAR05	W.K I.E



- △ MATERIAL
- (1) HOUSING: LCP(UL94V-0, BLACK)
- (2) CONTACT: PHOSPHOR BRONZE
FINISH: CONTACT AREA: Au PL. OVER 0.001 MIN. Ni PL.
SOLDERING AREA: 0.001 MIN. TIN OVER 0.001 MIN. Ni PL.
- (3) G-CONT. WITH RETENTION-LEG: BRASS
FINISH: 0.001 MIN. TIN PL. OVER 0.001 MIN. Ni PL.
- △ INDICATE DATE CODE.
- △ THIS DIM. IS 1.6±0.08 WHEN THE CONTACT PUSH TO HOUSING.

6123283-9	0.0002	80	79	54.2	57.87	66.5	55.27	49.53	66.4	50.165	58.765	62.0	64.7
5-6123283-5	0.00076	40	39	28.8	32.47	41.1	29.87	24.13	41.0	24.765	33.365	36.6	39.3
6123283-5	0.0002	40	39	28.8	32.47	41.1	29.87	24.13	41.0	24.765	33.365	36.6	39.3
PART NO.	Au PL.	POS	n	A	B	C	D	E	F	G	H	J	K

THIS DRAWING IS A CONTROLLED DOCUMENT.

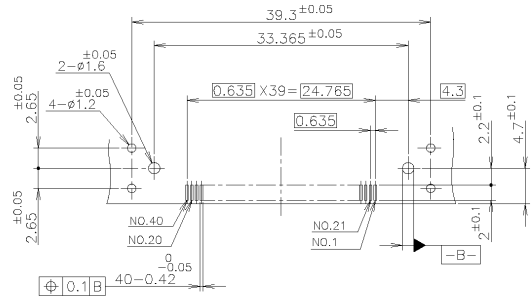
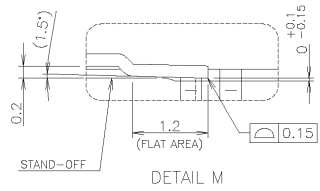
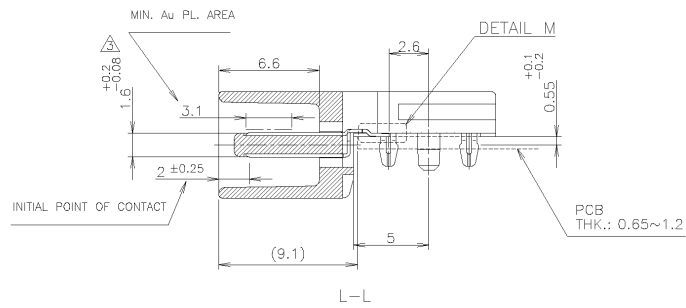
DW	WENKE HE	9MAR05		Tyco Electronics AMP K.K. Kawasaki, Japan
CHK	STEVEN YAO	9MAR05		
APVD	YENOMOTO	9MAR05	NAME	PLUG ASSY SMT TYPE, CHAMP.050 I
PRODUCT SPEC				BLINDMATE WITH G-CONT. P.C.B. t=0.8mm
APPLICATION SPEC			SIZE	A3
WEIGHT			CAGE CODE	00779
CUSTOMER DRAWING			DRAWING NO	C=6123283
			SCALE	NTS
			SHEET	1 of 2
			REV	A

GENERAL TOLERANCE
 10 ± ±0.2
 30 ≥ ±10: ±0.25
 100 ≥ ±30: ±0.3
 ANGLES: ±3°

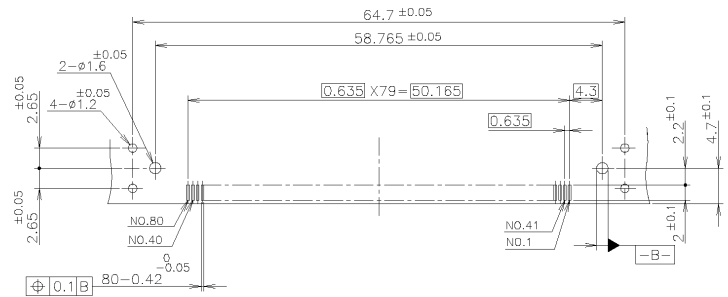
DIMENSIONS:	TOLERANCES UNLESS OTHERWISE SPECIFIED:
mm	
0 PLC	±
1 PLC	±
2 PLC	±
3 PLC	±
4 PLC	±
ANGLES	±
MATERIAL	△
FINISH	△

THIS DRAWING IS UNPUBLISHED. RELEASED FOR PUBLICATION OCT. 1, 1997.
 © COPYRIGHT 1997 BY TYCO ELECTRONICS CORPORATION. ALL RIGHTS RESERVED.

LOC		DIST		REVISIONS			
P	LTR	DESCRIPTION	DATE	DWN	APVD		
-	-	SEE SHEET 1	-	-	-		



40P



80P

RECOMMENDED PCB LAYOUT

GENERAL TOLERANCE
 10 \geq ± 0.2
 30 \geq ± 0.25
 100 \geq ± 0.3
 ANGLES: $\pm 3^\circ$

THIS DRAWING IS A CONTROLLED DOCUMENT.		DWN	tyco Electronics		Tyco Electronics AMP K.K. Kawasaki, Japan	
DIMENSIONS: mm	TOLERANCES UNLESS OTHERWISE SPECIFIED:	CHK	NAME			
	0 PLC \pm	APVD	PLUG ASSY SMT TYPE, CHAMP.050 I BLINDMATE WITH G-CONT. P.C.B. t=0.8mm			
	1 PLC \pm	PRODUCT SPEC	SIZE	CAGE CODE	DRAWING NO	RESTRICTED TO
	2 PLC \pm	APPLICATION SPEC	A3	00779	C=6123283	
MATERIAL	3 PLC \pm	WEIGHT	CUSTOMER DRAWING		SCALE	SHEET
	4 PLC \pm				NTS	2 OF 2
	ANGLES \pm					REV A

AMP 1470-19 REV 31MAR2000

Z:\All Guys\Wenke He\B063104_Champ_050-lead_free\DONE\6123283\C-6123283-0.dwg