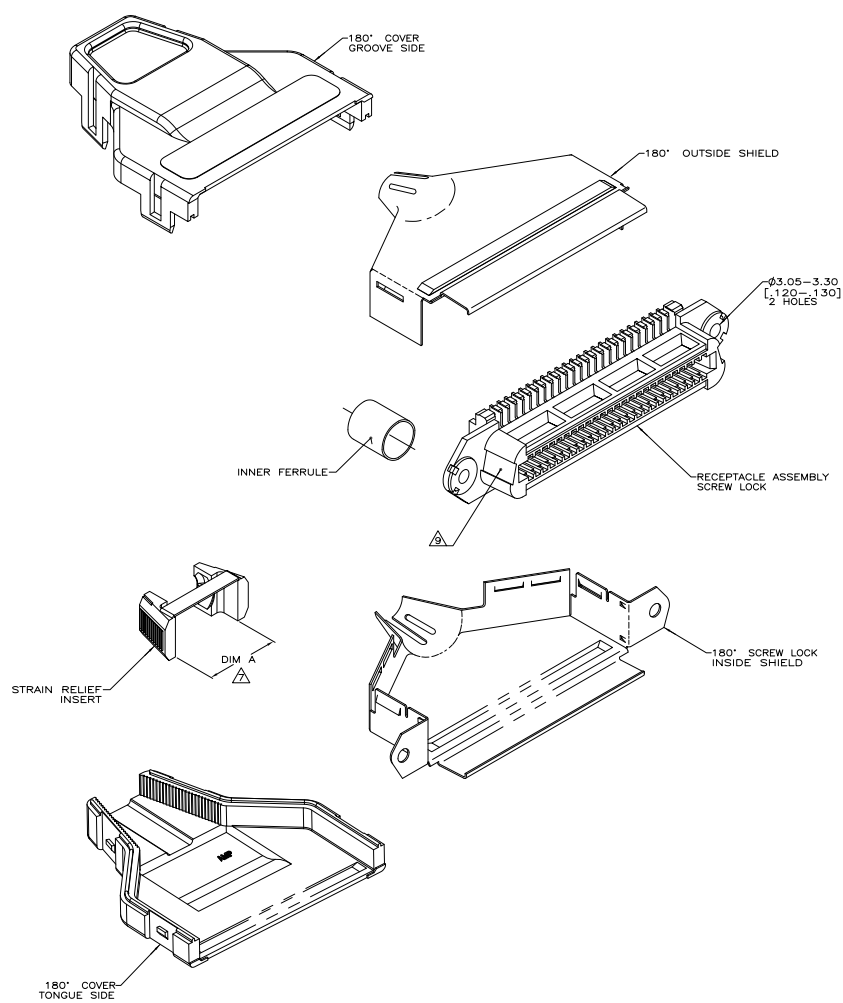


REV	DATE	DESCRIPTION	BY	CHK	APP
00					
F		REVISED FOR ECO-08-027327	05SEP08	BM	WM



- THIS KIT SHIPPED NOT ASSEMBLED.
- ⚠ MATERIAL: SHIELDS - BRIGHT NICKEL PLATED CARBON STEEL.  
 COVERS AND HOUSING - POLYPHENYLENE OXIDE, BLACK.  
 STRAIN RELIEF - POLYPROPYLENE, BLACK.  
 FERRULE - COPPER ALLOY.  
 TERMINAL - HIGH STRENGTH COPPER ALLOY PLATED WITH 0.76μm [.000030] MIN GOLD OR GOLD FLASH OVER PALLADIUM NICKEL PLATE, 0.76μm [.000030] MIN TOTAL ON MATING SURFACE, 1.27μm [.000050] MIN NICKEL UNDERPLATE OVER ENTIRE TERMINAL.
- WIRE SIZE: 24 OR 26 AWG SOLID OR 24 AWG 7 STRANDS OF COPPER CONDUCTORS. MAXIMUM INSULATION DIAMETER OF 1.14 [.045] IS ACCEPTABLE FOR MOST APPLICATIONS.
- CABLE RANGE: Ø8.89-15.88 [.350-.625].
- CENTER-TO-CENTER SPACING OF TERMINALS 2.16 [.085] NOMINAL.
- ⚠ CABLE OF 10.16[.400] DIAMETER OR LESS SHALL USE INNER FERRULE ON THE CABLE JACKET. CABLE GREATER THAN 10.16[.400] DIAMETER SHALL USE INNER FERRULE ON THE CONDUCTORS.

⚠ CABLE LESS THAN 12.7[.500] USE 16.13[.635] STRAIN RELIEF. CABLE GREATER THAN 12.7[.500] USE 18.67[.735] STRAIN RELIEF.

⚠ DIMENSIONS ARE MAXIMUM UNLESS OTHERWISE SPECIFIED.

⚠ CORING IS AN OPTIONAL CONFIGURATION AND IS AT THE DISCRETION OF AMP INCORPORATED.

16.13[.635]		8.89[.350]		554573-1	
STRAIN RELIEF DIM A		FERRULE ID		PART NUMBER	
THIS DRAWING IS A CONTROLLED DOCUMENT. <b>SECRET</b> AMP ELECTRONICS CORPORATION Harrisburg, PA 17105-3608 RECEPTACLE KIT, SHIELDED, 50 POSITION, B-SLOT, 180 DEGREE COVER, SCREW LOCK, CHAMP SIZE: A1 00779 ©=554573 CUSTOMER DRAWING DATE: 2-1 SHEET: 1 OF 1					