

4

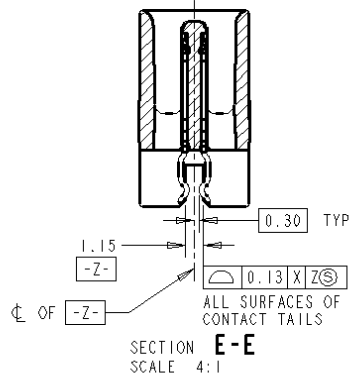
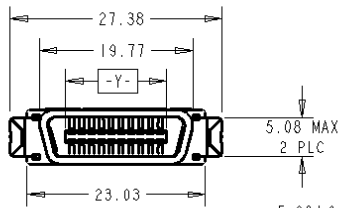
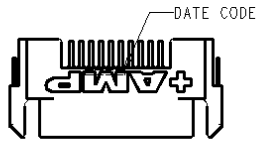
3

2

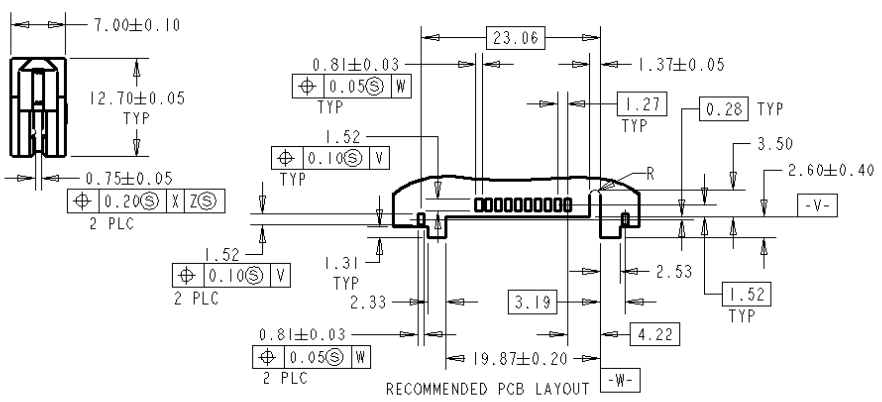
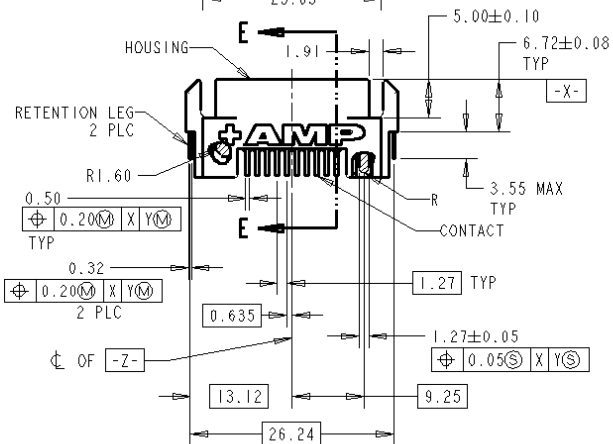
1

THIS DRAWING IS UNPUBLISHED. RELEASED FOR PUBLICATION
 COPYRIGHT 19 BY AMP INCORPORATED. ALL RIGHTS RESERVED.

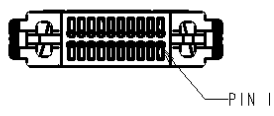
LOG	DIST	REVISIONS			
P	LTR	DESCRIPTION	DATE	DRN	APVD
DY	-	A	REVISED FP00-0276-99	30AUS99	LWY TAP



NOTES:
 1 HOUSING: LCP, UL 94V-0 RATED, BLACK
 CONTACTS: PHOSPHOR BRONZE
 RETENTION LEGS: BRASS
 2 CONTACT:
 0.76um MIN GOLD FOR A LENGTH 2.00 STARTING
 1.00 MAX FROM MATING END, 3.81um MIN
 TIN/LEAD FOR A LENGTH OF 3.43 MIN FROM
 OPPOSITE END, BOTH OVER 1.27um MIN NICKEL
 RETENTION LEG:
 3.81 um MIN TIN-LEAD OVER 1.27um MIN NICKEL
 3. RECOMMENDED PCB THICKNESS: 0.80±0.10



P/N: -1 AS SHOWN



<small>THIS DRAWING IS A CONTROLLED DOCUMENT FOR AMP TECHNOLOGIES IT IS SUBJECT TO CHANGE AND THE CONTROLLING ENGINEERING ORGANIZATION SHOULD BE CONTACTED FOR THE LATEST REVISION.</small>		DWN WYLEE 4MAY99 CHK AP TAY APVD SE LEONG	AMP ANP MANUFACTURING (SINGAPORE) PTE. LTD.
DIMENSIONS: mm 	TOLERANCES UNLESS OTHERWISE SPECIFIED: 0 PLC ± 1 PLC ± 2 PLC ±0.15 3 PLC ± 4 PLC ± ANGLES ±1°	NAME PLUG ASSY, STRADDLE MOUNT, CHAMP BLINDMATE .050 SERIES 1, 20P (NARROW GAP)	SIZE A3 CAGE CODE 00779 DRAWING NO. C-84653
MATERIAL 	FINISH 	PRODUCT SPEC 108-1548 APPLICATION SPEC 114-6061 WEIGHT - CUSTOMER DRAWING	
SCALE 2:1 SHEET 1 OF 1 REV A			