

4

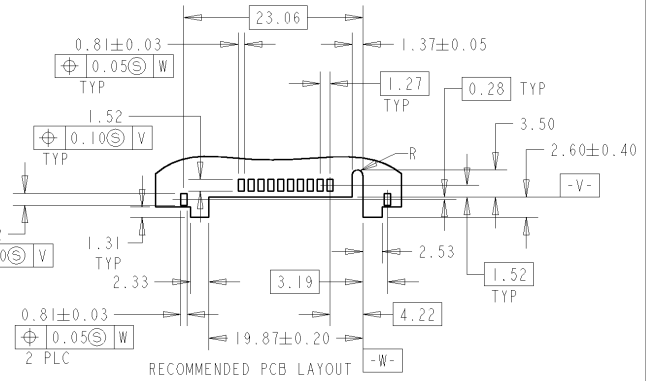
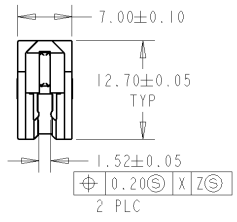
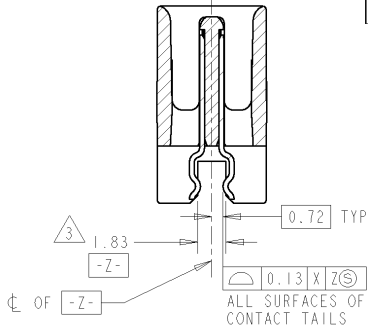
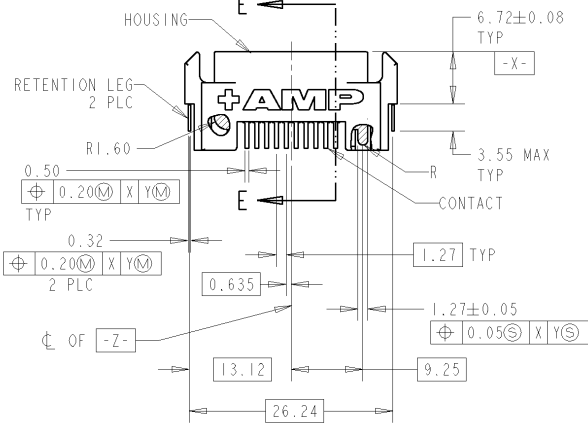
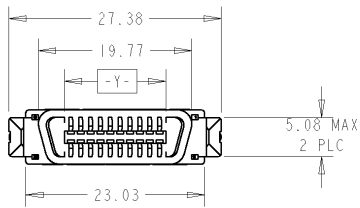
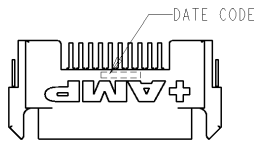
3

2

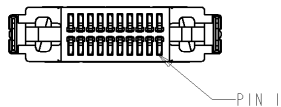
1

THIS DRAWING IS UNPUBLISHED. RELEASED FOR PUBLICATION .19
COPYRIGHT 19 BY AMP INCORPORATED. ALL RIGHTS RESERVED.

LOC		DIST		REVISIONS			
F	LTR	DESCRIPTION	DATE	OWN	APVD		
0		NPR FP00-0349-04	24JAN05	LWY	VT		



- NOTES:
- HOUSING: LCP, UL 94V-0 RATED, BLACK
CONTACTS: PHOSPHOR BRONZE
RETENTION LEGS: BRASS
 - CONTACT:
0.76µm MIN GOLD FOR A LENGTH 2.00 STARTING
1.00 MAX FROM MATING END, 3.81µm MIN
TIN FOR A LENGTH OF 3.43 MIN FROM
OPPOSITE END, BOTH OVER 1.27µm MIN NICKEL
RETENTION LEG:
3.81 µm MIN TIN OVER 1.27µm MIN NICKEL
 - MAXIMUM PRINTED CIRCUIT BOARD THICKNESS
THAT CONNECTOR WILL ACCOMMODATE.



P/N: -1 AS SHOWN

THIS DRAWING IS A CONTROLLED DOCUMENT FOR AMP INCORPORATED IT IS SUBJECT TO CHANGE AND THE ORIGINAL DRAWING OR ORGANIZATION SHOULD BE CONTACTED FOR THE LATEST REVISION.		OWN 24JAN05	tyco Electronics		Tyco Electronics Singapore Pte. Ltd.
DIMENSIONS: mm		CHR WYLEE	VINCENT TAN		NAME
TOLERANCES UNLESS OTHERWISE SPECIFIED: 0 PLC ± 1 PLC ± 2 PLC ±0.10 3 PLC ± 4 PLC ± ANGLES ±°		APVD SF LEONG	PRODUCT SPEC 108-1548		PLUG ASSY, STRADDLE MOUNT, CHAMP BLINDMATE .050 SERIES 1, 20P
MATERIAL 1		FINISH 2	APPLICATION SPEC 114-6061	WEIGHT -	SIZE A3
			CAGE CODE 00779	DRAWING NO C-5084598	SCALE 2:1
			CUSTOMER DRAWING	SHEET 1 OF 1	REV 0

AMP 1470-19 REV 09M194
P10/ENGINEER DRAWING