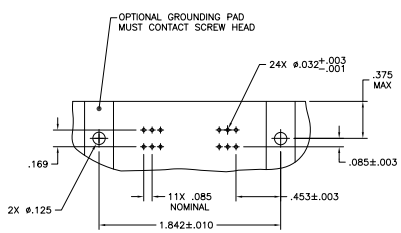
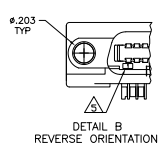


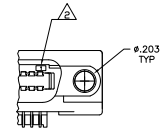
REV	DATE	DESCRIPTION	BY	CHKD
00				
D		REVISED FOR ECO-08-007327	DMPPR08	EM WM



SUGGESTED PRINTED CIRCUIT BOARD MOUNTING DIMENSIONS

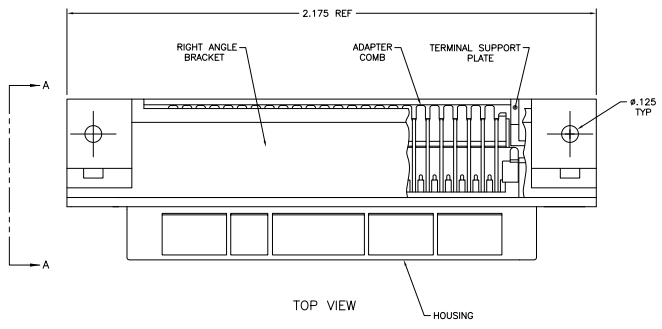


DETAIL B  
REVERSE ORIENTATION

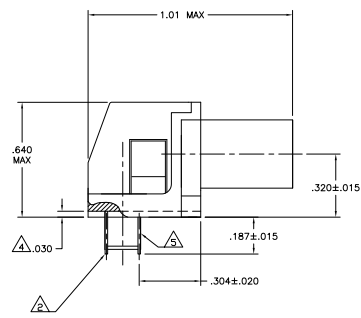


DETAIL A  
STANDARD ORIENTATION

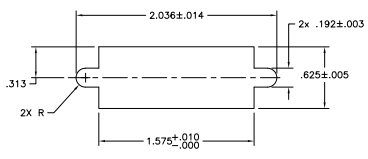
- △ MATERIAL: HOUSING, RIGHT ANGLE BRACKET, ADAPTER COMB & SUPPORT PLATE - THERMOPLASTIC, BLACK. TERMINALS - HIGH STRENGTH COPPER ALLOY PLATED WITH EITHER .00030 MIN GOLD PLATE OR GOLD FLASH OVER PALLADIUM NICKEL PLATE, .00030 MIN TOTAL ON MATING SURFACE, .000120 MIN TIN-LEAD PLATE ON TAILS. ALL OVER .000050 MIN NICKEL UNDERPLATE OVER ENTIRE TERMINAL.
- △ TERMINAL 1 IS LOCATED IN THIS ROW FOR STANDARD ORIENTATION, SEE DETAIL A.
- △ PANEL THICKNESS RANGE: .125 MAX.
- △ SUPPORT PLATE CLEARANCE FOR TERMINAL STRAIN RELIEF AND FLUX REMOVAL.
- △ TERMINAL 1 IS LOCATED IN THIS ROW FOR REVERSE ORIENTATION, SEE DETAIL B.



TOP VIEW



SIDE VIEW A-A



PANEL CUTOUT DIMENSIONS FOR REAR PANEL MOUNTING FOR METRIC HARDWARE

SEE DETAIL B	553121-2
SEE DETAIL A	553121-1
DESCRIPTION	PART NUMBER

THIS DRAWING IS A CONTROLLED DOCUMENT.		REV	DATE	BY	CHKD
REVISIONS	DESCRIPTION	DATE	BY	CHKD	APP'D
1	ASSEMBLY, EM, RECEPTACLE 24 POSITION, RIGHT ANGLE				
2	REVISED FOR ECO-08-007327				
CUSTOMER DRAWING		SIZE	DATE	ISSUE	REV
		A1	00779	2:1	1 1 D

SEE DETAIL B  
 SEE DETAIL A  
 DESCRIPTION  
 PART NUMBER