

4

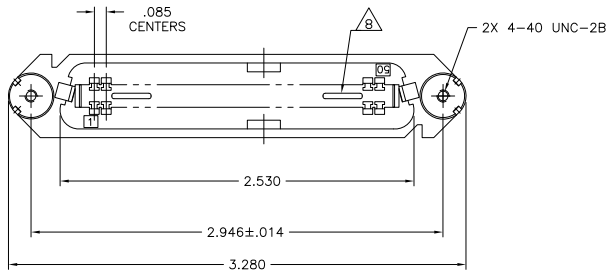
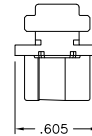
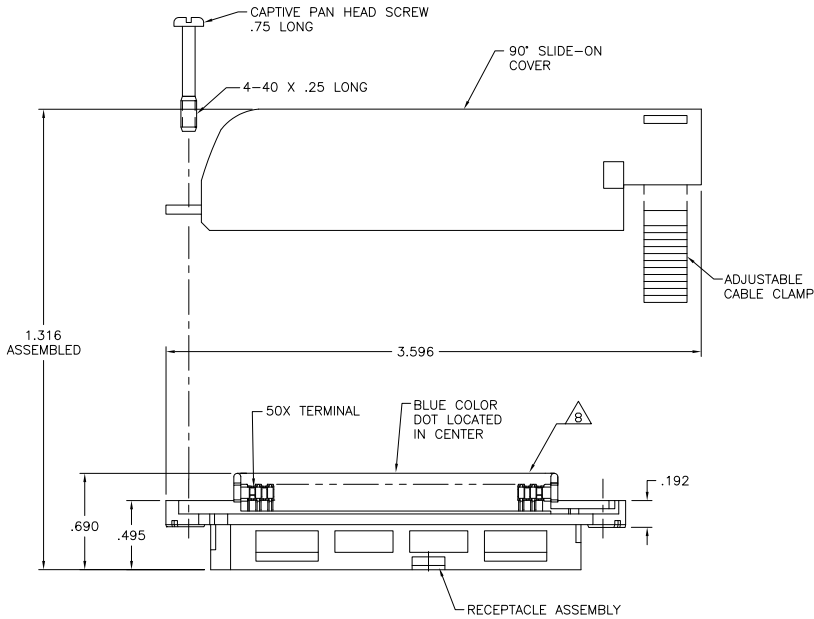
3

2

1

THIS DRAWING IS UNPUBLISHED. RELEASED FOR PUBLICATION
 © COPYRIGHT BY TYCO ELECTRONICS CORPORATION. ALL RIGHTS RESERVED.

LOC	DIST	REVISIONS					
GP	00	P	LTR	DESCRIPTION	DATE	BY	APPD
		B		REVISED PER ECO-08-007327	02/02/08	BM	WM



1. THE CONTACT SURFACES OF THE TERMINALS ARE COATED WITH LUBRICANT.
2. ALL DIMENSIONS ARE MAXIMUM UNLESS OTHERWISE SPECIFIED.
3. MATERIAL:
 HOUSING, COVER, AND CABLE CLAMP: POLYPHENYLENE OXIDE GRAY.
 TERMINAL: HIGH STRENGTH COPPER ALLOY PLATED WITH .000030 MIN GOLD OR GOLD FLASH OVER PALLADIUM NICKEL PLATE, .000030 MIN TOTAL ON MATING SURFACES. .000050 MIN NICKEL UNDERPLATE ON ENTIRE TERMINAL.
4. COVER, SCREW & CABLE CLAMP SHIPPED UNASSEMBLED.
5. WIRE SIZE: 24-26 AWG SOLID 7 OR 24 AWG STRANDED COPPER CONDUCTORS, MAXIMUM INSULATION DIAMETER OF .045 IS ACCEPTABLE FOR MOST APPLICATIONS.
6. CABLE RANGE: .425 DIAMETER MAX.
7. 500 KITS BULK PACKAGED.
8. CORING IS AN OPTIONAL CONFIGURATION AND IS AT THE DISCRETION OF AMP.

WITHOUT DUST COVER	5556006-2
DESCRIPTION	PART NUMBER

THIS DRAWING IS A CONTROLLED DOCUMENT.		DWG. S. MCMASTER 2700105 CHK. W. MILLHIMES 2700105 APPD. W. MILLHIMES 2700105 PRODUCT SPEC. 2700105	Tyco Electronics Corporation Harrisburg, PA 17105-3608 Tyco Electronics
DIMENSIONS: INCHES 0 PLC # - 1 PLC # - 2 PLC # - 3 PLC # - 4 PLC # - ANGLES # - FINISH # -	TOLERANCES UNLESS OTHERWISE SPECIFIED: 0 PLC # - 1 PLC # - 2 PLC # - 3 PLC # - 4 PLC # - ANGLES # - FINISH # -	APPLICATION SPEC. # - WEIGHT # - CUSTOMER DRAWING	SIZE CASE CODE DRAWING NO. RESTRICTED TO A2 00779 C-5556006 - SCALE 2:1 SHEET 1 of 1 REV B

AMP 1471-9 REV 31MM2000

5556006

A