

4

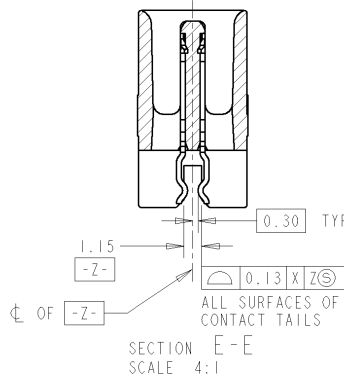
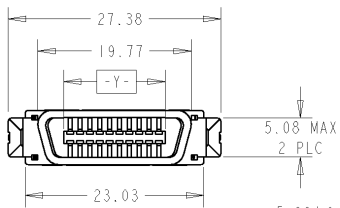
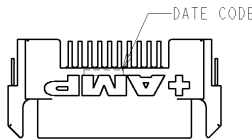
3

2

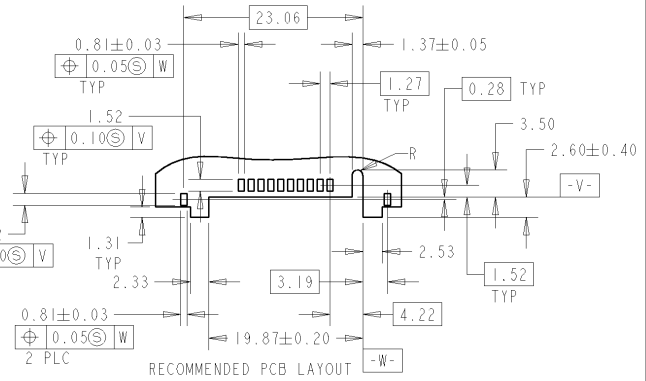
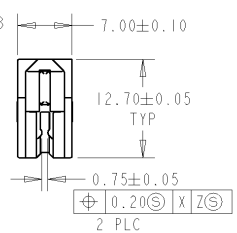
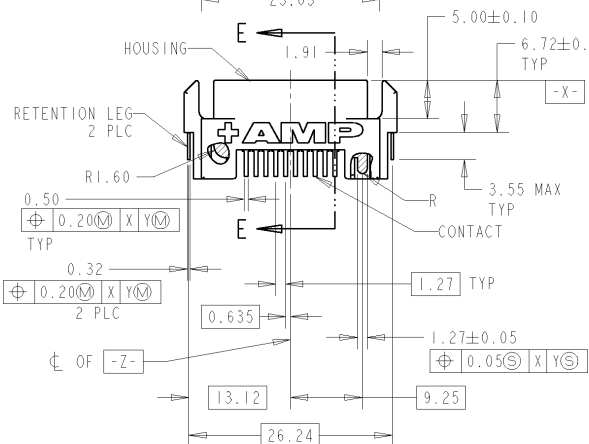
1

THIS DRAWING IS UNPUBLISHED. RELEASED FOR PUBLICATION . . . 19 . . .  
 BY AMP INCORPORATED. ALL RIGHTS RESERVED.

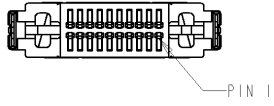
LOC		DIST		REVISIONS			
F	LTR	DESCRIPTION	DATE	OWN	APVD		
0		NPR FP00-0349-04	20JAN05	LWY	VT		



- NOTES:
- HOUSING: LCP, UL 94V-0 RATED, BLACK  
CONTACTS: PHOSPHOR BRONZE  
RETENTION LEGS: BRASS
  - CONTACT:  
0.76um MIN GOLD FOR A LENGTH 2.00 STARTING  
1.00 MAX FROM MATING END, 3.81um MIN  
TIN FOR A LENGTH OF 3.43 MIN FROM  
OPPOSITE END, BOTH OVER 1.27um MIN NICKEL  
RETENTION LEG:  
3.81 um MIN TIN OVER 1.27um MIN NICKEL
  - RECOMMENDED PCB THICKNESS: 0.80±0.10



P/N: -1 AS SHOWN



<small>THIS DRAWING IS A CONTROLLED DOCUMENT FOR AMP INCORPORATED          IT IS SUBJECT TO CHANGE AND THE ORIGINAL DRAWING OR          ORGANIZATION SHOULD BE CONTACTED FOR THE LATEST REVISION.</small>		DWN: WYLEE CHR: VINCENT TAN APVD: SE LEONG PRODUCT SPEC: 108-1548 APPLICATION SPEC: 114-6061 WEIGHT: - CUSTOMER DRAWING	20JAN05 <b>tyco</b> <b>Electronics</b> Tyco Electronics Singapore Pte. Ltd.
DIMENSIONS: mm 	TOLERANCES UNLESS OTHERWISE SPECIFIED: 0 PLC ± 1 PLC ± 2 PLC ±0.15 3 PLC ± 4 PLC ± ANGLES ±1°	NAME: PLUG ASSY, STRADDLE MOUNT, CHAMP BLINDMATE .050 SERIES 1, 20P (NARROW GAP)	SIZE: A3 CAGE CODE: 00779 DRAWING NO: C-5084653 SCALE: 2:1 SHEET 1 OF 1 REV 0

AMP 1470-19 REV 09MAY94  
 P10/ENGINEER DRAWING